



Architect/Engineering Specifications:

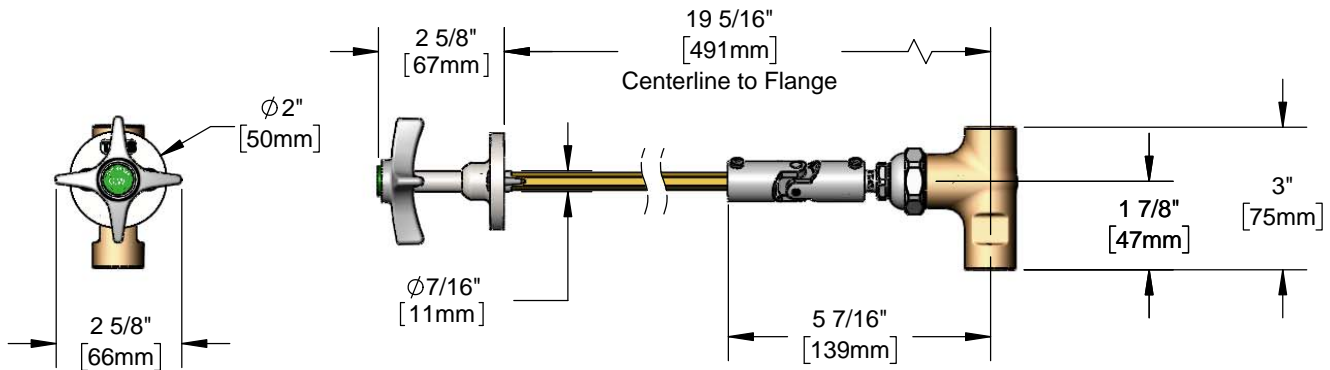
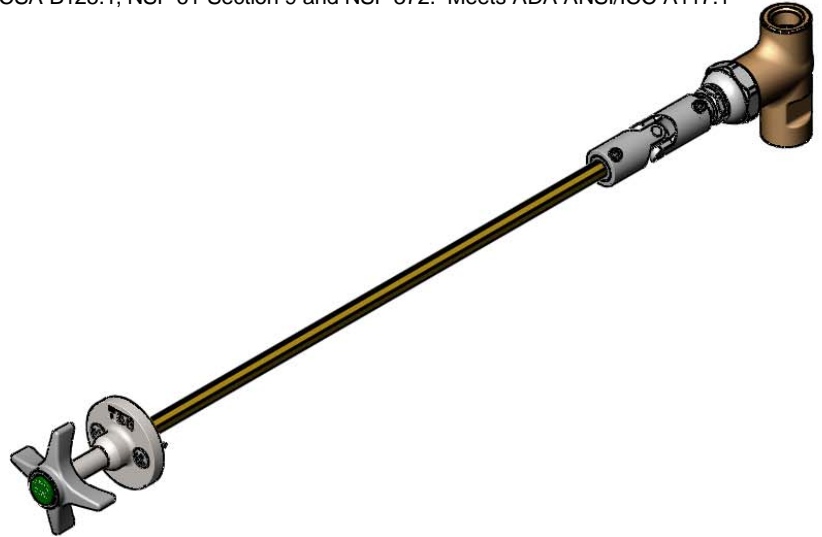
Remote control straight valve with brass body, 19 1/16" centerline to flange, 4-arm handle, green (CW) snap-in color coded index, guide flange, universal joint and 3/8" NPT male inlet and outlet. Certified to ASME A112.18.1/CSA B125.1, NSF 61-Section 9 and NSF 372. Meets ADA ANSI/ICC A117.1 requirements.

Job Name \_\_\_\_\_

Model Specified \_\_\_\_\_ Quantity \_\_\_\_\_

Variations Specified \_\_\_\_\_

Date \_\_\_\_\_



Features & Benefits:

- Remote control straight valve with brass body
- 19 1/16" centerline to bushing
- Eterna compression cartridge
- 4-arm handle w/ green (CW) snap-in color coded index
- $\phi 2"$  guide flange w/ mounting hardware
- Universal joint
- 3/8" NPT male inlet and outlet
- Material: Brass body and polished chrome plated brass handle

Product Compliance:

- ASME A112.18.1 / CSA B125.1
- NSF 61 - Section 9
- NSF 372 (Low Lead Content)
- ANSI A117.1 (ADA)



ADA Compliant

Warranty: One Year (Limited)

Performance Data:

- Pressure: 20 - 125 psi
- Temperature: 40 °F - 140 °F
- Flow Rate: TBD GPM @ 60 psi

