



Architect/Engineering Specifications:

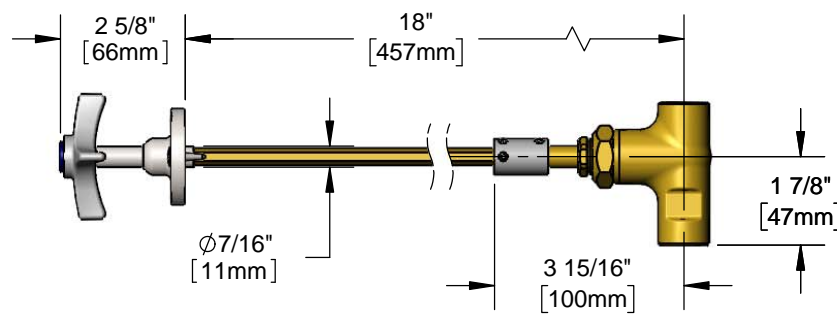
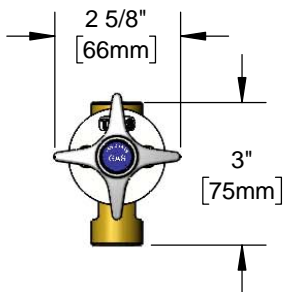
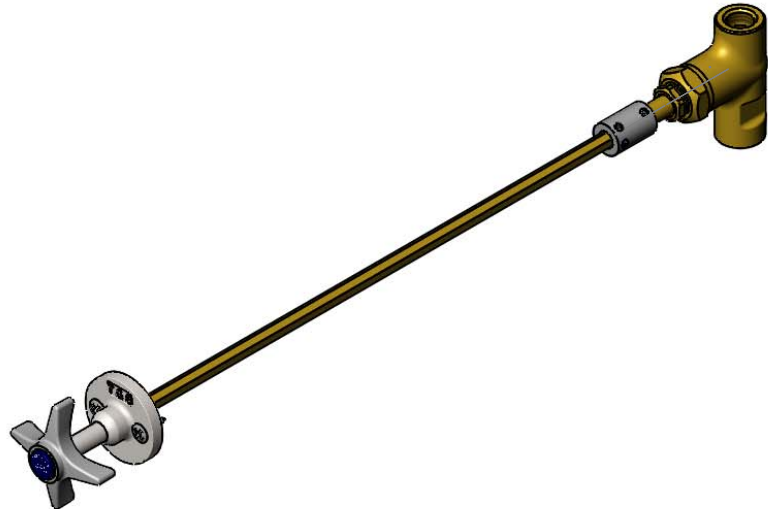
Remote control straight valve with brass body, removable, 18" centerline to flange, 4-arm handle, snap-in color coded indexes and 3/8" NPT female inlet and outlet. Certified to ANSI Z21.15a / CSA 9.1a.

Job Name _____

Model Specified _____ Quantity _____

Variations Specified _____

Date _____



Features & Benefits:

- Remote control straight valve with brass body
- 18" centerline to bushing
- Stainless steel floating cone and removable seat
- 4-arm handle w/ snap-in color coded indexes
- Ø2" panel flange with mounting screws
- 3/8" NPT female inlet and outlet
- Material: Brass body and polished chrome plated brass handle

Product Compliance:

- ANSI Z21.15a / CSA 9.1a (Gas Valves)

Warranty: One Year (Limited)

Performance Data:

- Pressure: 25 - 125 psi
 - Gas - 0.5 psi max
 - Air - 125 psi max
 - Vacuum - 30 inches of Mercury max
- Temperature: 32 °F - 125 °F

