



**Laboratory Products**  
**BL-4203-01**

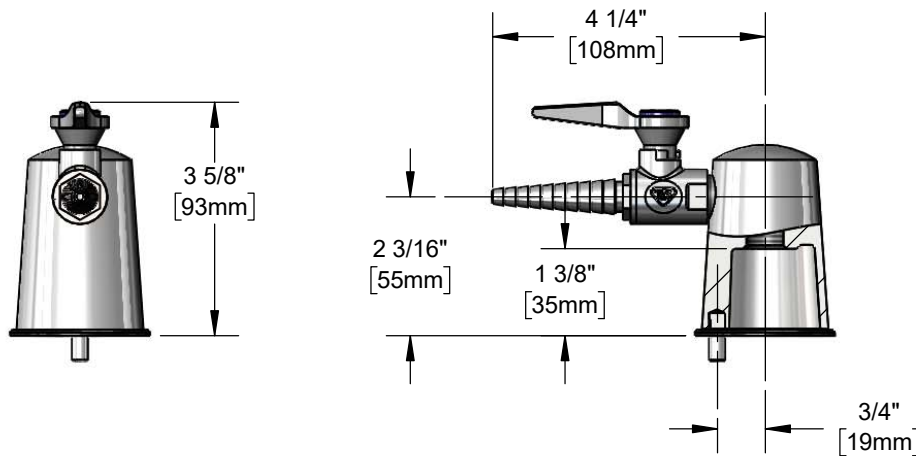
TAG:

*Laboratory Hose Cock*

**Architect/Engineering Specifications:**

Laboratory turret with polished chrome plated brass body and handle, serrated tip outlet and 3/8" NPT female inlet. Certified to ANSI Z21.15a / CSA 9.1a. Meets ADA ANSI/ICC A117.1 requirements.

Job Name \_\_\_\_\_  
 Model Specified \_\_\_\_\_ Quantity \_\_\_\_\_  
 Variations Specified \_\_\_\_\_  
 Date \_\_\_\_\_



**Features & Benefits:**

- Ball valve hose cock w/ polished chrome plated brass body & handle
- Serrated tip outlet, fits 1/4" to 3/8" I.D. hoses
- For natural gas above 0.5 psig or Oxygen and specialty gases, use BL-4010-01 gas cock
- Snap-in color coded indexes (gas, vacuum & air included)
- 3/8" NPT female inlet
- Material: Polished chrome plated brass body & handle

**Product Compliance:**

- ANSI Z21.15a / CSA 9.1a (Gas Valves)
- ANSI A117.1 (ADA)



**Warranty:** One Year (Limited)



**Performance Data:**

- Pressure:
  - Gas - 0.5 psig max
  - Air - 125 psig max
  - Vacuum - 30 inches of Mercury max
- Temperature: 32 °F - 125 °F



**T&S BRASS AND BRONZE WORKS, INC.**



• 2 Saddleback Cove • Travelers Rest, SC 29690  
 Ph 800-476-4103 • Fax 864-834-3518  
 • Simi Valley, CA • Ph 800-423-0150 • www.tsbrass.com

Date: 03/09/18