



**Laboratory Products**  
**BL-4203-0**

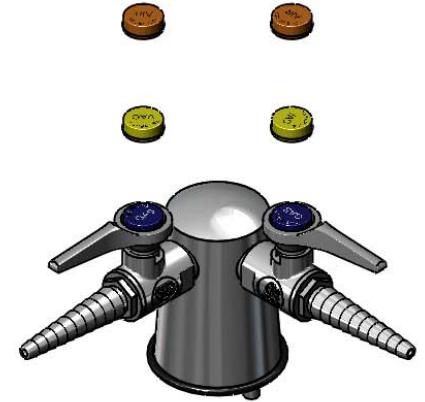
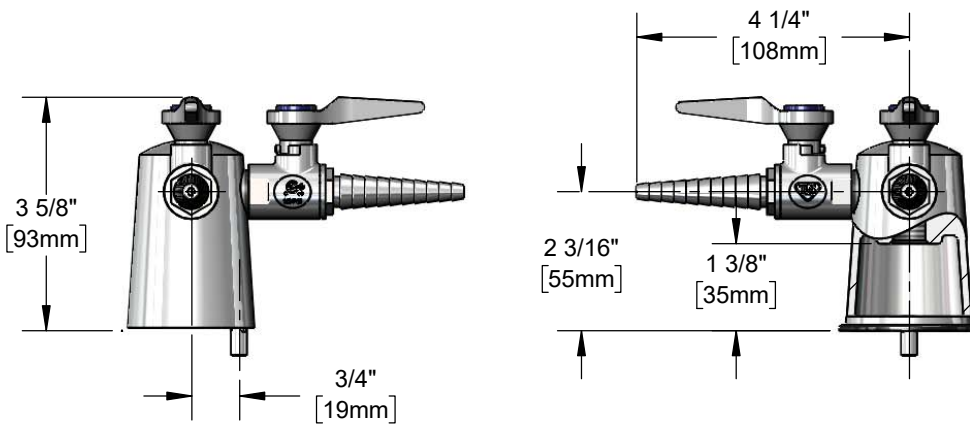
TAG:

*Laboratory Hose Cock*

**Architect/Engineering Specifications:**

Laboratory Turret with polished chrome plated brass body, (2) serrated tip outlets at 90 degrees and 3/8" NPT female inlet. Certified to ANSI Z21.15a / CSA 9.1a. Meets ADA ANSI/ICC A117.1 requirements.

Job Name \_\_\_\_\_  
 Model Specified \_\_\_\_\_ Quantity \_\_\_\_\_  
 Variations Specified \_\_\_\_\_  
 Date \_\_\_\_\_



**Features & Benefits:**

- Laboratory turret with polished chrome plated brass body
- (2) Serrated tip outlets at 90 degrees, fits 1/4" to 3/8" I.D. hoses
- For natural gas above 0.5 psig or Oxygen and specialty gases, use BL-4010-01 gas cock
- 3/8" NPT female inlet in base
- Black plastic base gasket
- Material: Polished chrome plated brass body

**Product Compliance:**

- ANSI Z21.15a / CSA 9.1a (Gas Valves)
- ANSI A117.1 (ADA)



**Warranty:** One Year (Limited)



**Performance Data:**

- Pressure:
  - Gas - 0.5 psig max
  - Air - 125 psig max
  - Vacuum - 30 inches of Mercury max
- Temperature: 32°F - 125°F



**T&S BRASS AND BRONZE WORKS, INC.**



• 2 Saddleback Cove • Travelers Rest, SC 29690  
 Ph 800-476-4103 • Fax 864-834-3518  
 • Simi Valley, CA • Ph 800-423-0150 • www.tsbrass.com

Date: 03/09/18