



# Single Lever Faucets

## B-2730-07

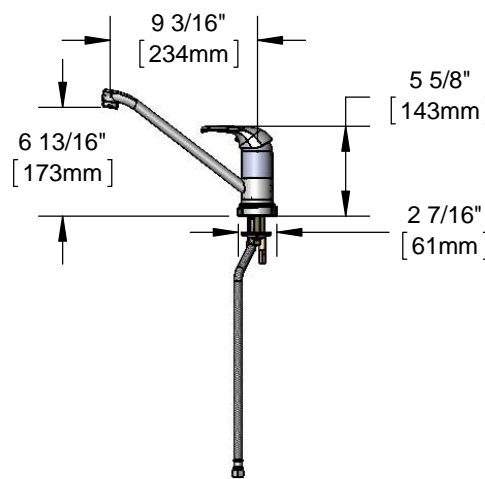
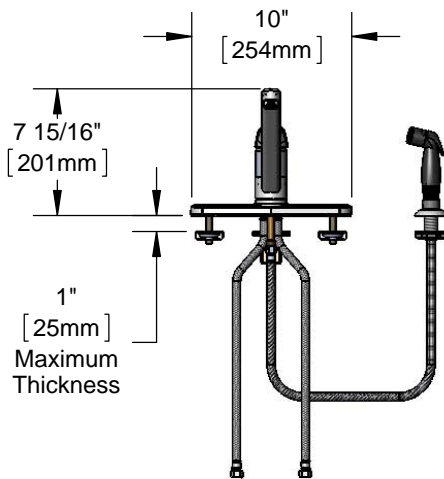
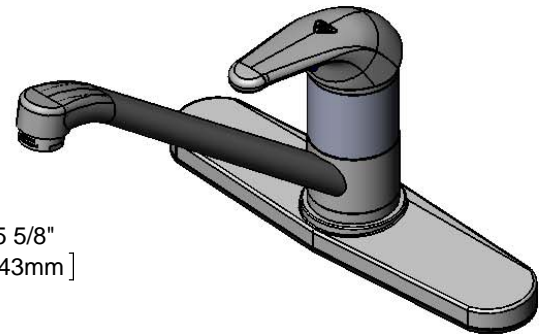
TAG:

## Single Lever Faucet

### Architect/Engineering Specifications:

Deck mount single lever faucet with polished chrome plated brass body, 9" swivel spout, polished chrome plated deck plate cover, 2.2 GPM aerator, ceramic cartridge with adjustable temperature limit stop, single lever handle, 16" flexible stainless steel supply hoses with 3/8" O.D. compression connections and side spray with 7 ft. hose and hose guide. Certified to ASME A112.18.1/CSA B125.1, NSF 61-Section 9 and NSF 372. Meets ADA ANSI/ICC A117.1 requirements

Job Name \_\_\_\_\_  
 Model Specified \_\_\_\_\_ Quantity \_\_\_\_\_  
 Variations Specified \_\_\_\_\_  
 Date \_\_\_\_\_



### Features & Benefits:

- Deck mount single lever faucet with polished chrome plated brass body
- Polished chrome plated brass 10" deck plate (fits 8" hole centers)
- 9" swivel spout
- 2.2 GPM aerator, Series 4 (B-0199-04)
- Ceramic cartridge w/ adjustable temperature limit stop
- Single lever handle w/ color coded index
- 16" flexible stainless steel supply hoses with 3/8" O.D. compression connections
- Side spray with 7 ft. hose and hose guide
- Material: Polished chrome plated brass body & deck plate, chrome plated metal handle and stainless steel hoses

### Product Compliance:

- ASME A112.18.1 / CSA B125.1
- NSF 61 - Section 9
- NSF 372 (Low Lead Content)
- ANSI A117.1 (ADA)



### Warranty: One Year (Limited)

- Ceramic Cartridge: Two Year (Limited)

### Performance Data:

- Pressure: 20 - 125 psi
- Temperature: 40°F - 140°F
- Flow Rate: 2.2 GPM @ 60 psi



ADA Compliant

### Optional Outlets (Series 4 / VR Series 9)

GPM	Aerated	Non-Aerated (Laminar)	VR Aerated	VR Non-Aerated (VR Laminar)
0.35	N/A	<input type="checkbox"/> B-0199-04-N035	N/A	<input type="checkbox"/> B-0199-09-N035
0.5	N/A	<input type="checkbox"/> B-0199-04-N05	N/A	<input type="checkbox"/> B-0199-09-N05
1.0	N/A	N/A	N/A	<input type="checkbox"/> B-0199-09-LF10
1.5	<input type="checkbox"/> B-0199-04-WS	N/A	<input type="checkbox"/> B-0199-09-WS	<input type="checkbox"/> B-0199-09-LF15
2.2	Standrad	<input type="checkbox"/> B-0199-25	<input type="checkbox"/> B-0199-09	<input type="checkbox"/> B-0199-27

### Accessories

- Cover Plate w/ Side Spray Hole
- 4' Side Spray
- 6" Handle



T&S BRASS AND BRONZE WORKS, INC.



• 2 Saddleback Cove • Travelers Rest, SC 29690  
 Ph 800-476-4103 • Fax 864-834-3518  
 • Simi Valley, CA • Ph 800-423-0150 • www.tsbrass.com

Date: 03/26/15