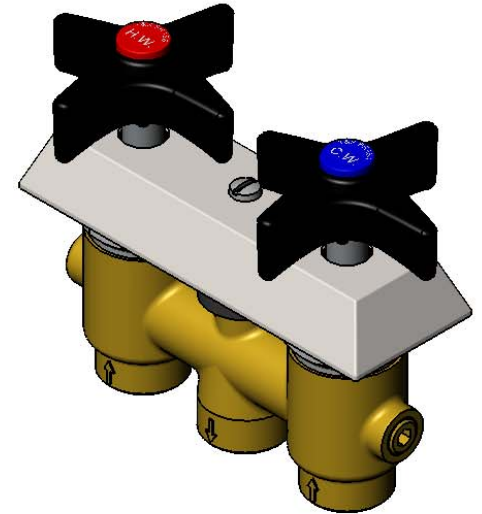
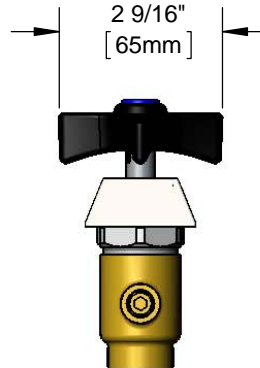
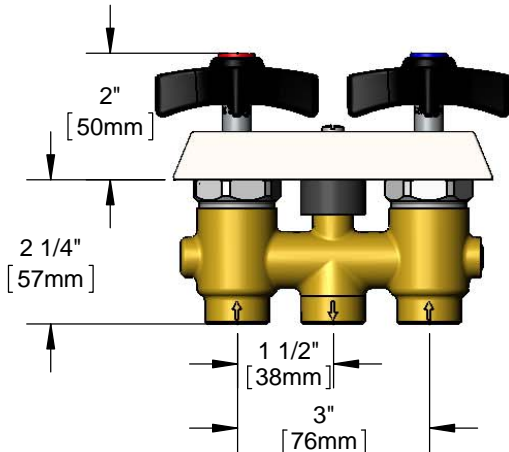




Architect/Engineering Specifications:

3" concealed mixing faucet with compression cartridges, 4-arm polypropylene handles, 3/8" NPT female inlets and outlet, chrome plated escutcheon. Certified to ASME A112.18.1/CSA B125.1, NSF 61-Section 9 and NSF 372. Meets ADA ANSI/ICC A117.1 requirements.

Job Name _____	
Model Specified _____	Quantity _____
Variations Specified _____	
Date _____	



Features & Benefits:

- 3" concealed mixing faucet
- Eterna compression cartridges
- Black polypropylene 4-arm handles w/ color coded indexes
- 3/8" NPT male inlets
- 3/8" NPT male outlet
- Chrome plated escutcheon
- Material: Brass body and black polypropylene handles

Product Compliance:

- ASME A112.18.1 / CSA B125.1
- NSF 61 - Section 9
- NSF 372 (Low Lead Content)
- ANSI A117.1 (ADA)



Warranty: One Year (Limited)

Performance Data:

- Pressure: 20 - 125 psi
- Temperature: 40 °F - 140 °F
- Flow Rate: 15.40 GPM @ 60 psi



ADA Compliant

Optional Handles

- 4" Wrist Action
- Lever
- 4-Arm (Standard)

Optional Cartridges

- Quarter-Turn Cerama
- Eterna (Standard)
- Quarter-Turn Eterna
- Push Button Metering
- Pivot Action Metering
- Wrist Action Metering

