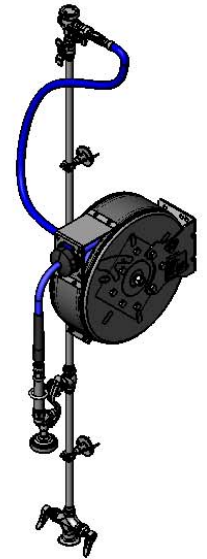
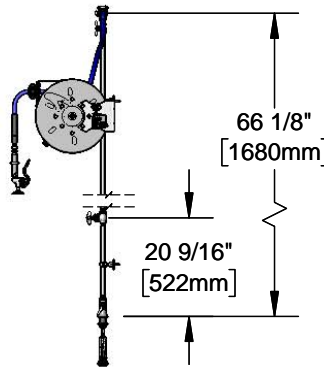
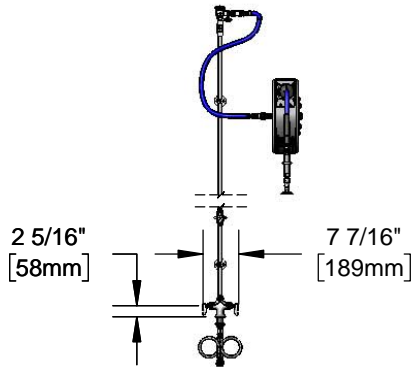




Architect/Engineering Specifications:

Single hole deck mount mixing faucet with polished chrome plated brass body, compression cartridges with spring checks, lever handles, 18" flexible stainless steel hoses with 1/2" NPSM / 5/8" O.D. compression connections, 16" riser, control valve, 40" riser, wall brackets, continuous pressure vacuum breaker, 36" flexible stainless steel water hose connector with stainless steel quick disconnect, enclosed coated hose reel with 3/8" x 30' heavy-duty non-marking hose, ratcheting system, 1.42 GPM spray valve with swivel, multi-fit bracket and adjustable hose bumper. Certified to ASSE 1056. EPAAct 2005 compliant.

Job Name _____
 Model Specified _____ Quantity _____
 Variations Specified _____
 Date _____



Features & Benefits:

- All-in-one system with exposed piping and accessories
- Single hole deck mount mixing faucet w/ polished chrome plated brass body
- Quarter-turn Eterna compression cartridges with spring checks to prevent cross flow of water
- Lever handles w/ color coded indexes
- 18" flexible stainless steel hoses with 1/2" NPSM / 5/8" O.D. compression connections
- EasyInstall 16" and rigid 40" risers w/ control valve between risers
- (2) 2 3/8" wall brackets
- Continuous pressure vacuum breaker
- 36" flexible stainless steel water hose connector with stainless steel quick disconnect
- Enclosed epoxy coated hose reel
- 1.42 GPM spray valve w/ heat resistant grey handle, swivel and hold down ring
- 3/8" x 30' heavy-duty non-marking hose rated to 300 PSI
- Ratcheting system holds the length of hose until a slight tug to retract automatically
- Adjustable hose bumper
- Multi-fit bracket for wall, ceiling or under counter mounting
- Material: Polished chrome plated brass faucet body, risers and spray valve body, chrome plated metal handles, control valve and vacuum breaker and metal enclosed reel.

Product Compliance:

- NSF 61 Exempt (Non-Potable)
- EPAAct 2005 (PRSV)
- ASSE 1056 (VB)

Warranty: One Year (Limited)

- Hose Reel: Two Year (Limited)
- Hose: One Year (Limited)



Performance Data:

- Pressure: 20 - 125 psi
- Temperature: 40 °F - 140 °F
- Flow Rate: 1.42 GPM @ 60 psi

Optional Hose Reel Spray Valves

- | | |
|-------------------------------------|---|
| <input type="checkbox"/> B-0107 | Spray Valve (Standard) |
| <input type="checkbox"/> B-0108 | Ergonomic Medium Flow Spray Valve |
| <input type="checkbox"/> B-0108-H | Ergonomic High Flow Spray Valve |
| <input type="checkbox"/> EB-0107 | High Flow Spray Valve |
| <input type="checkbox"/> EB-2322 | Extended Spray Wand |
| <input type="checkbox"/> MV-2516-24 | Stainless Steel Rear Trigger Water Gun |
| <input type="checkbox"/> MV-2522-24 | Stainless Steel Front Trigger Water Gun |
| <input type="checkbox"/> MV-3516-24 | Aluminum Rear Trigger Water Gun |

Optional Cartridges With Checks

- Quarter-Turn Cerama w/ Check Valve
- Quarter-Turn Eterna w/ Spring Check (Standard)

