



# Glass Fillers

## B-1240

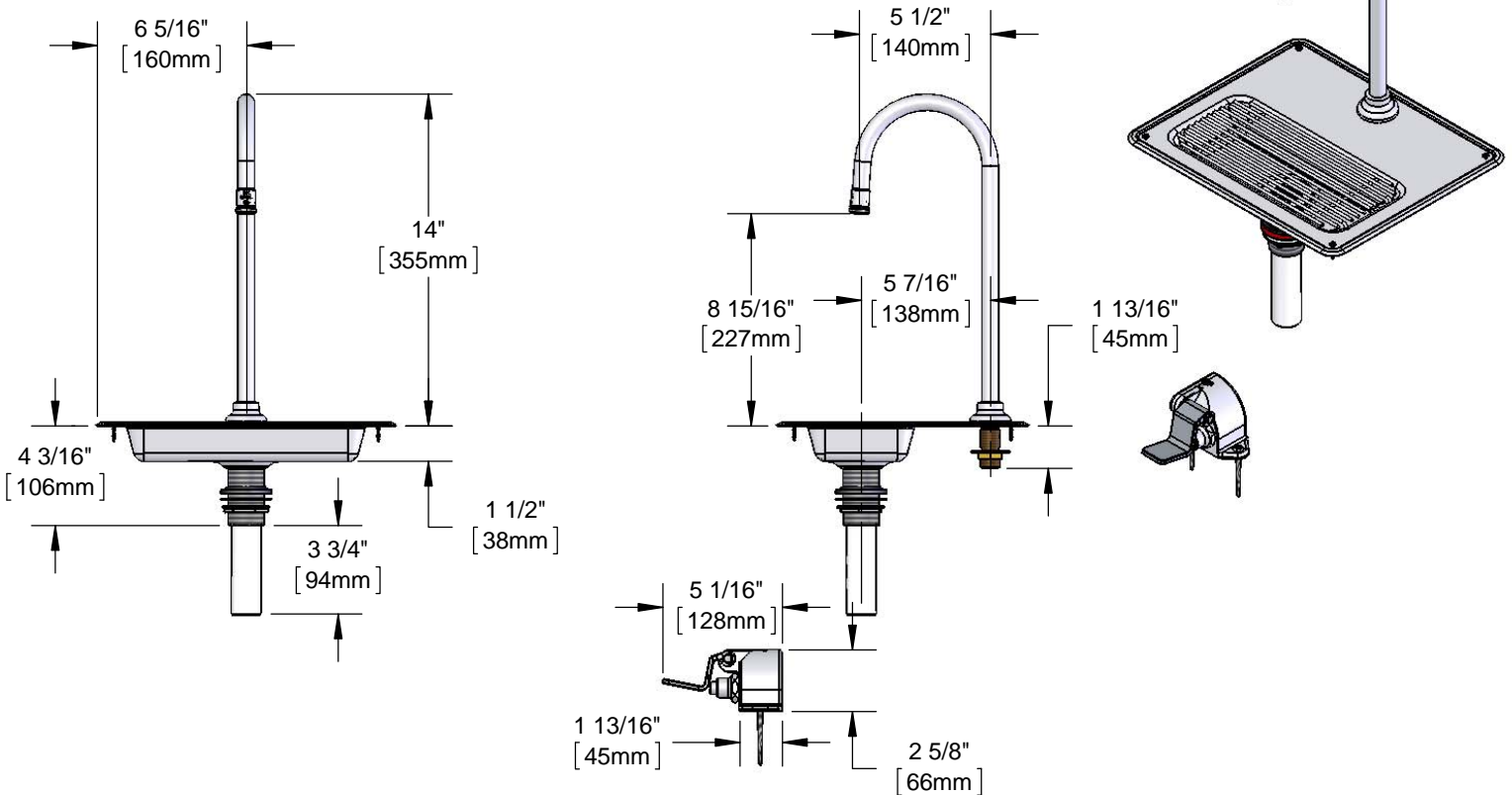
TAG:

Water Station

### Architect/Engineering Specifications:

Deck mount water station, 5 1/2" rigid gooseneck with stream regulator outlet, single pedal valve body, 18 gauge stainless steel drip pan with drop-in grid, 1 1/4" drain and tailpiece and nut for optional 1/4" connection. Certified to ASME A112.18.1/CSA B125.1, NSF 61-Section 9 and NSF 372. Meets ADA ANSI/ICC A117.1 requirements.

Job Name \_\_\_\_\_  
 Model Specified \_\_\_\_\_ Quantity \_\_\_\_\_  
 Variations Specified \_\_\_\_\_  
 Date \_\_\_\_\_



### Features & Benefits:

- Deck mount water station
- Rigid gooseneck w/ stream regulator outlet
- Single pedal valve body
- 1/2" NPT male inlet
- Drip pan w/ drop-in grid
- 1 1/4" drain
- Tailpiece and nut for optional 1/4" NPT connection
- Material: Polished chrome plated brass pedal valve body, tubular spout & pedestal, chrome plated metal flange, stainless steel drip pan & grid

### Product Compliance:

- ASME A112.18.1 / CSA B125.1
- NSF 61 - Section 9
- NSF 372 (Low Lead Content)
- ANSI A117.1 (ADA)
- 

**Warranty:** One Year (Limited)

### Performance Data:

- Pressure: 20 - 125 psi
- Temperature: 40°F - 140°F
- Flow Rate: 4.04 GPM
- Discharge Rate: 18.00 GPM max



ADA Compliant



T&S BRASS AND BRONZE WORKS, INC.



• 2 Saddleback Cove • Travelers Rest, SC 29690  
 Ph 800-476-4103 • Fax 864-834-3518  
 • Simi Valley, CA • Ph 800-423-0150 • www.tsbrass.com

Date: 05/07/16