

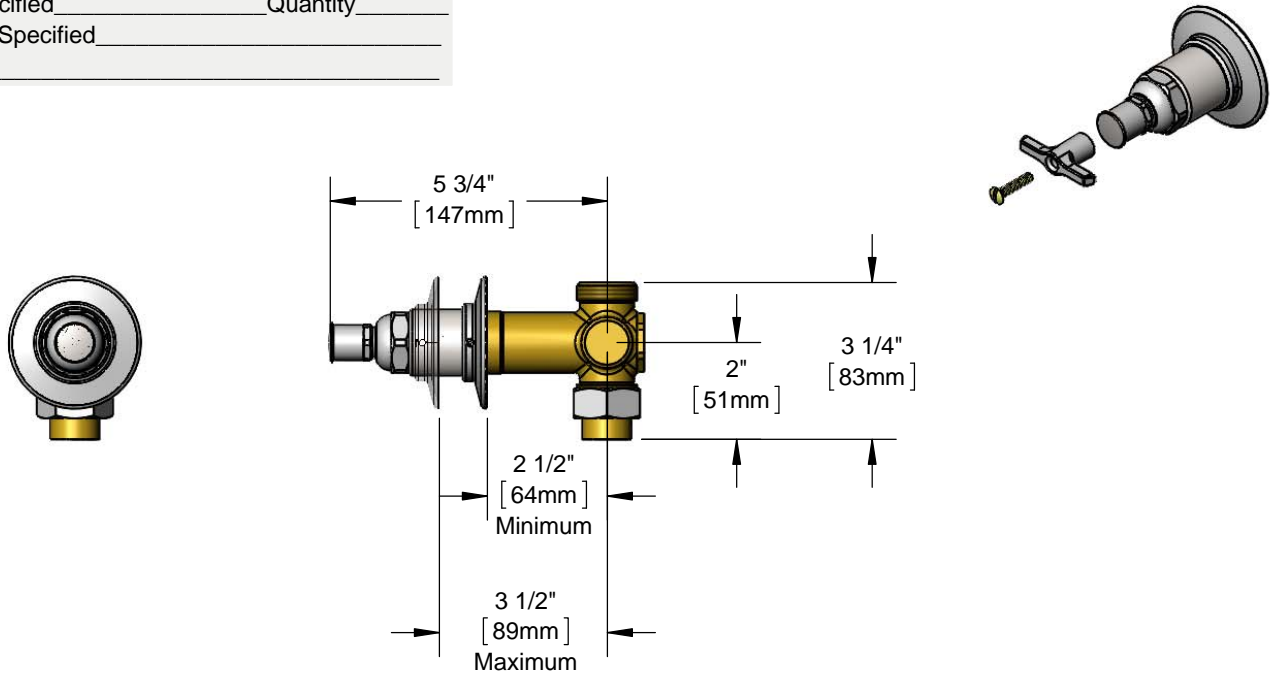


Concealed Straight Key Stop Valve

Architect/Engineering Specifications:

Concealed straight loose key stop valve with brass body, polished chrome plated brass adjustable wall flange and sleeve, 1/2" NPT female outlet, loose key style shutoff valve with tee handle and 1/2" NPT female union coupling inlet. Certified to ASME A112.18.1/CSA B125.1, NSF 61-Section 9, and NSF 372.

Job Name _____
 Model Specified _____ Quantity _____
 Variations Specified _____
 Date _____



Features & Benefits:

- Concealed straight loose key stop valve w/ brass body
- Ø 2 3/16" polished chrome plated brass adjustable wall flange and sleeve
- 1/2" NPT female outlet
- Loose key style shutoff valve with tee handle
- 1/2" NPT female union coupling inlet connection
- Material: Brass valve body, chrome plated metal handle polished chrome plated brass adjustable wall flange & sleeve

Product Compliance:

- ASME A112.18.1 / CSA B125.1
- NSF 61 - Section 9
- NSF 372 (Low Lead Content)



Warranty: One Year (Limited)

Performance Data:

- Pressure: 20 - 125 psi
- Temperature: 40°F - 140°F
- Flow Rate: 5.31 GPM @ 60 psi

