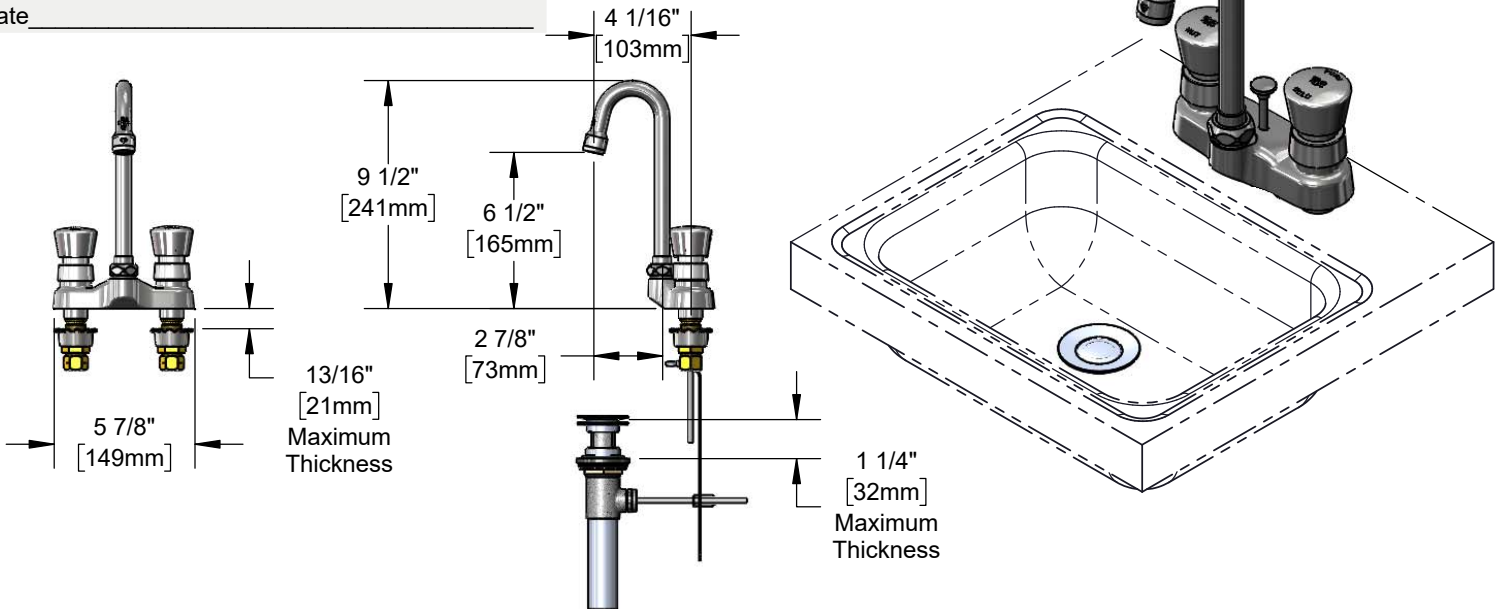




#### Architect/Engineering Specifications:

4" centerset deck mount mixing faucet with polished chrome plated brass body, swivel/rigid gooseneck, 2.2 GPM aerator, metering cartridges, push button caps, 1/2" NPSM male inlets and pop-up drain. Certified to ASME A112.18.1/CSA B125.1, NSF 61-Section 9 and NSF 372. Meets ADA ANSI/ICC A117.1 requirements.

Job Name \_\_\_\_\_  
 Model Specified \_\_\_\_\_ Quantity \_\_\_\_\_  
 Variations Specified \_\_\_\_\_  
 Date \_\_\_\_\_



#### Features & Benefits:

- 4" centerset deck mount mixing faucet w/ polished chrome plated brass body
- 2 7/8" swivel gooseneck
- Lock washer included for rigid applications
- 2.2 GPM aerator, Series 1 (B-0199-01)
- Metering cartridges
- Adjustable metering cycle, 10 to 30 seconds
- Push button (hot & cold) caps w/ vandal resistant screws
- 1/2" NPSM male inlets
- Pop-up drain assembly
- Material: Polished chrome plated brass body & tubular spout and chrome plated metal caps

#### Product Compliance:

- ASME A112.18.1 / CSA B125.1
- NSF 61 - Section 9
- NSF 372 (Low Lead Content)
- ANSI A117.1 (ADA)

**Warranty:** One Year (Limited)

#### Performance Data:

- Pressure: 20 - 125 psi
- Temperature: 40°F - 140°F
- Flow Rate: 2.2 GPM @ 60 psi
- Water Consumption: @ 10 sec = .37 gal  
@ 15 sec = .55 gal



ADA Compliant

#### Optional Outlets (Series 1 / VR Series 6)

GPM	Aerated	Non-Aerated (Laminar)	VR Aerated	VR Non-Aerated (VR Laminar)
0.35	N/A	<input type="checkbox"/> B-0199-01-N035	N/A	<input type="checkbox"/> B-0199-06-N035
0.5	N/A	<input type="checkbox"/> B-0199-01-N05	N/A	<input type="checkbox"/> B-0199-06-N05
1.0	<input type="checkbox"/> B-0199-01-F10	N/A	<input type="checkbox"/> B-0199-06-F10	N/A
1.2	<input type="checkbox"/> B-0199-01-F12	<input type="checkbox"/> B-0199-01-LF12	<input type="checkbox"/> B-0199-06-F12	<input type="checkbox"/> B-0199-06-LF12
1.5	<input type="checkbox"/> B-0199-01-WS	<input type="checkbox"/> B-0199-29	<input type="checkbox"/> B-0199-06-WS	<input type="checkbox"/> B-0199-29VR
2.2	Standard	<input type="checkbox"/> B-0199-21	<input type="checkbox"/> B-0199-06	<input type="checkbox"/> B-0199-21-VRF

#### Optional Cartridges

- Push Button Metering (Standard)
- Pivot Action Metering
- Wrist Action Metering

