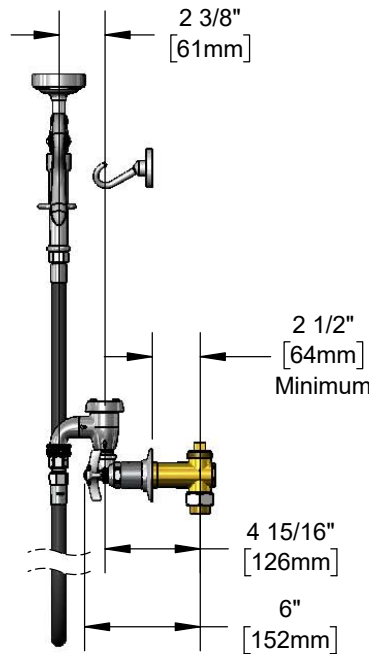
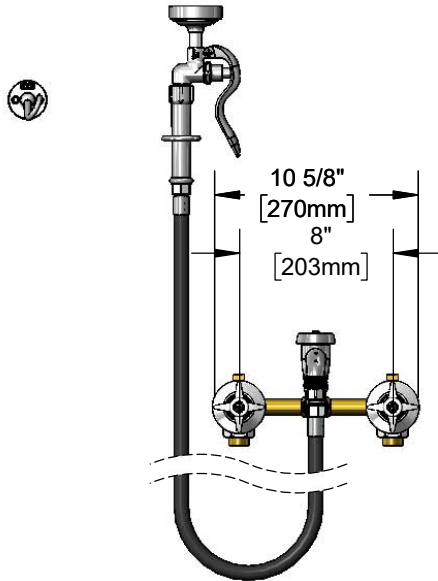




Architect/Engineering Specifications:

8" concealed bypass mixing valve with brass body and polished chrome plated brass adjustable wall flanges and sleeves, polished chrome plated spout with garden hose male outlet, compression cartridges with spring checks, 1.15 GPM spray valve, 4-arm handles, atmospheric vacuum breaker, wall hook, 68" reinforced PVC hose and 1/2" NPT female inlets. Certified to ASME A112.18.1/CSA B125.1, NSF 61-section 9, NSF 372 and ASSE 1001. 2019 DOE PRSV - Class II compliant.

Job Name _____
 Model Specified _____ Quantity _____
 Variations Specified _____
 Date _____



Features & Benefits:

- 8" concealed bypass mixing valve w/ 1/2" NPT female union inlet connections
- Polished chrome plated brass adjustable wall flanges & sleeves
- Polished chrome plated spout w/ garden hose male outlet
- Quarter-turn Eterna compression cartridges w/ spring checks to prevent cross flow of water
- 1.15 GPM spray valve
- 4-arm handles w/ color coded indexes
- 1/2" NPT female inlets
- 1/2" NPT atmospheric vacuum breaker
- Wall hook
- 68" reinforced PVC hose with handle
- Material: Brass body, polished chrome plated brass adjustable flanges, vacuum breaker & wall hook and polished chrome plated metal handles

Optional Handles

- 4" Wrist Action
- Lever
- 4-Arm (Standard)

Optional Cartridges With Checks

- Quarter-Turn Cerama w/ Check Valve
- Quarter-Turn Eterna w/ Spring Check (Standard)

Product Compliance:

- ASME A112.18.1 / CSA B125.1
- NSF 61 - Section 9
- NSF 372 (Low Lead Content)
- ASSE 1001 (VB)
- 2019 DOE PRSV - Class II

Warranty: One Year (Limited)

- PVC Hose: Two year (Limited)

Performance Data:

- Pressure: 20 - 125 psi
- Temperature: 40 °F - 140 °F
- Flow Rate: 1.15 GPM @ 60 psi

