



Foot Pedal Valves

B-0504-02

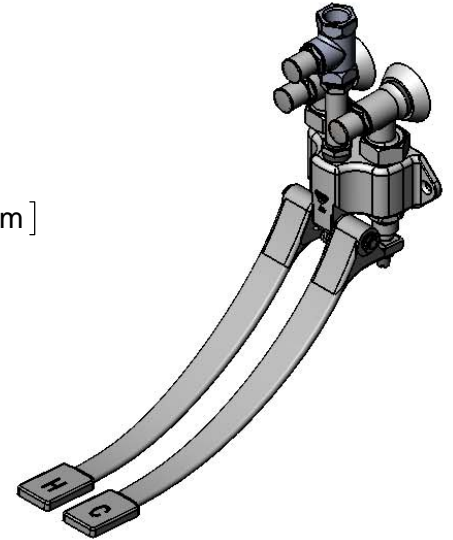
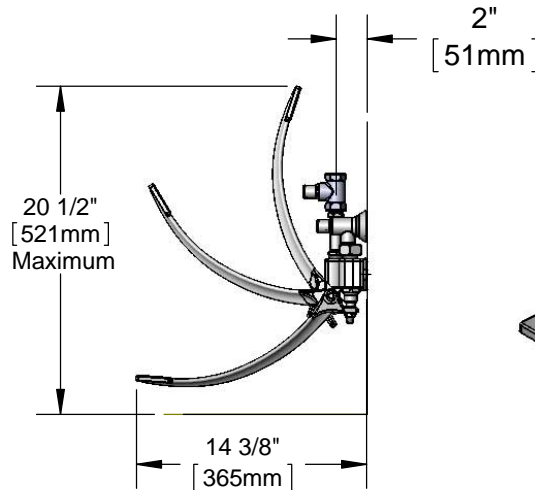
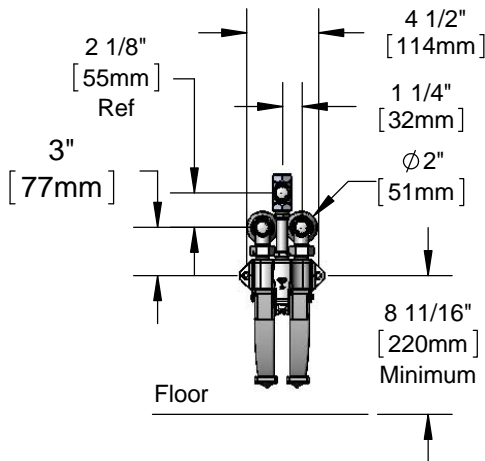
TAG:

Double Pedal Valve

Architect/Engineering Specifications:

Wall mount double pedal valve, chrome plated solid brass body, adjustable height aluminum pedals, self-closing cartridges, 1/2" NPT female loose key angle stop inlets, 1/2" NPT female loose key angle volume control outlet, mounting screws. Certified to ASME A112.18.1/CSA B125.1, NSF 61-Section 9 and NSF 372.

Job Name _____
 Model Specified _____ Quantity _____
 Variations Specified _____
 Date _____



Features & Benefits:

- Wall mount double pedal valve
- Adjustable height hot and cold pedals
- Pedals flip up for floor cleaning
- Self-closing cartridges
- 1/2" NPT female loose key angle stop inlets
- 1/2" NPT female loose key angle volume control outlet
- Wall mounting screws included
- Material: Polished chrome plated brass valve & stop bodies and satin finish aluminum pedals

Product Compliance:

- ASME A112.18.1 / CSA B125.1
- NSF 61 - Section 9
- NSF 372 (Low Lead Content)
-



Warranty: One Year (Limited)



Performance Data:

- Pressure: 20 - 125 psi
- Temperature: 40 °F - 140 °F
- Flow Rate: 4.73 GPM @ 60 psi



T&S BRASS AND BRONZE WORKS, INC.



• 2 Saddleback Cove • Travelers Rest, SC 29690
 Ph 800-476-4103 • Fax 864-834-3518
 • Simi Valley, CA • Ph 800-423-0150 • www.tsbrass.com

Date: 02/29/16