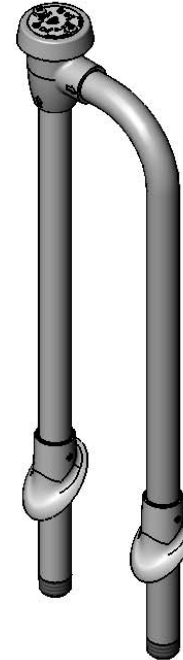
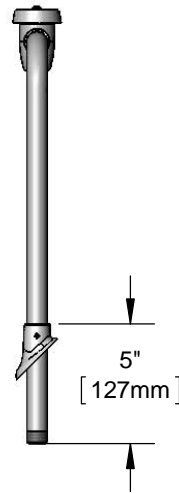
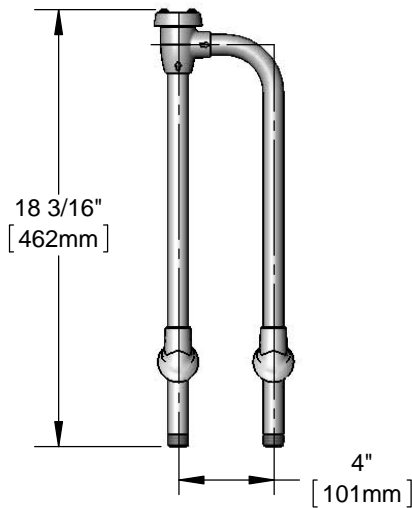




Architect/Engineering Specifications:

4" center vacuum breaker unit with polished chrome plated brass body and 1/2" NPT male threads. Certified to ASME A112.18.1/CSA B125.1, NSF 61-Section 9, NSF 372 and ASSE 1001.

Job Name _____
 Model Specified _____ Quantity _____
 Variations Specified _____
 Date _____



Features & Benefits:

- 4" center mounting vacuum breaker unit
- 1/2" NPT male threads
- Adjustable angle slip flanges
- Pipe must be held rigid under with with connection fittings, brace, etc.
- Material: Polished chrome plated brass body & risers

Product Compliance:

- ASME A112.18.1 / CSA B125.1
- NSF 61 - Section 9
- NSF 372 (Low Lead Content)
- ASSE 1001

Warranty: One Year (Limited)

Performance Data:

- Pressure: 20 - 125 psi
- Temperature: 40 °F - 140 °F
- Flow Rate: 18.10 GPM @ 60 psi

(Outlet Device &/or Final Configuration May Reduce Flow Rate)



ADA Compliant

