



# Faucets and Fittings

## B-0230-KIT

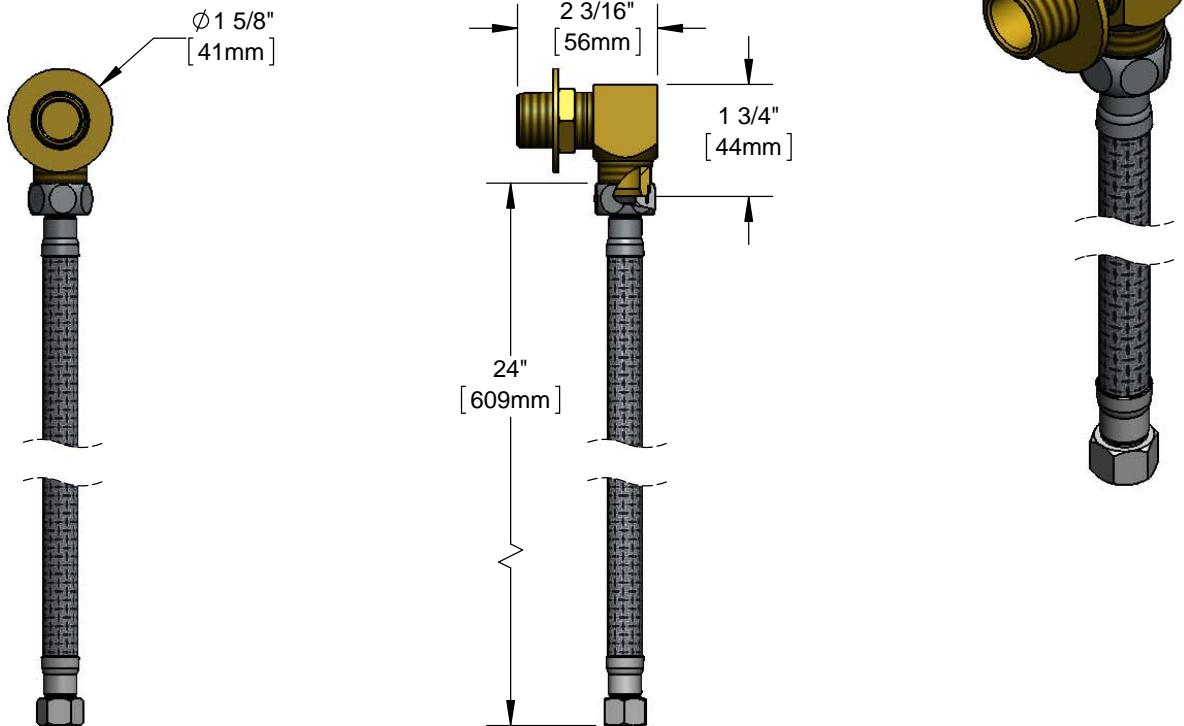
TAG:

Parts Kit

### Architect/Engineering Specifications:

Elbow kit, short elbows, nipples, lock nuts and washers that provide 1/2" NPT inlet and outlet when assembled. Certified to ASME A112.18.1/CSA B125.1, NSF 61-Section 9 and NSF 372.

Job Name \_\_\_\_\_  
 Model Specified \_\_\_\_\_ Quantity \_\_\_\_\_  
 Variations Specified \_\_\_\_\_  
 Date \_\_\_\_\_



### Features & Benefits:

- Parts kit
- (2) short elbows with 1/2" NPT male inlet and 1/2" NPT male outlet
- (4) 1/2" NPT supply nipples
- (2) lock nuts and washers
- (2) 24" flexible stainless steel supply hoses
- Material: Brass

### Product Compliance:

- ASME A112.18.1 / CSA B125.1
- NSF 61 - Section 9
- NSF 372 (Low Lead Content)

**Warranty:** One Year (Limited)

### Performance Data:

- N/A



T&S BRASS AND BRONZE WORKS, INC.



• 2 Saddleback Cove • Travelers Rest, SC 29690  
 Ph 800-476-4103 • Fax 864-834-3518  
 • Simi Valley, CA • Ph 800-423-0150 • www.tsbrass.com

Date: 02/23/16