



# Swivel Sink and Pantry Faucets

## B-0200-44H-VB

TAG:

### Double Pantry Washdown Faucet

#### Architect/Engineering Specifications:

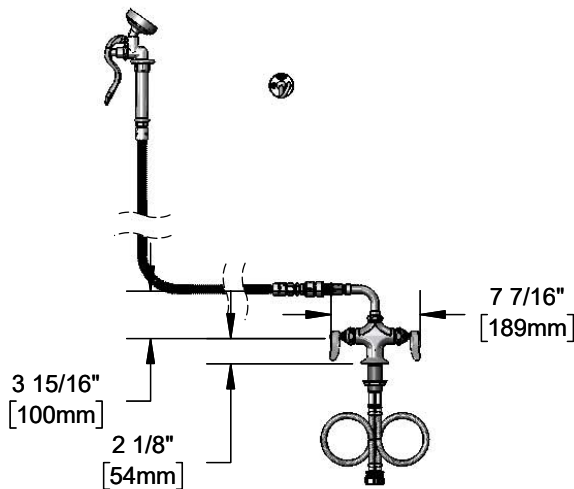
Single hole deck mount mixing faucet with polished chrome plated brass body, 90° swivel adapter, 3/8" NPT vacuum breaker, 44" flexible stainless steel hose, heat resistant handle, 1.42 GPM angled spray valve, compression cartridges with spring checks, lever handles, 18" flexible stainless steel supply hoses w/ 1/2" NPSM male inlets and wall hook. ASME A112.18.1 / CSA B125.1, NSF 61-Section 9 and NSF 372. EPAAct 2005 compliant.

Job Name \_\_\_\_\_

Model Specified \_\_\_\_\_ Quantity \_\_\_\_\_

Variations Specified \_\_\_\_\_

Date \_\_\_\_\_



#### Features & Benefits:

- Single hole deck mount mixing faucet w/ polished chrome plated brass body
- 90° swivel adapter
- 3/8" NPT vacuum breaker
- 44" flexible stainless steel hose w/ heat resistant gray handle and hold down ring
- 1.42 GPM angled spray valve
- Quarter-turn Eterna compression cartridges w/ spring checks to prevent cross flow of water
- Lever handles w/ color coded indexes
- 18" flexible stainless steel supply hoses w/ 1/2" NPSM male inlets
- Wall hook holds spray valve when not in use
- Material: Polished chrome plated brass body, spray valve body & tubular adapter, stainless steel hose and chrome plated metal handles

#### Product Compliance:

- ASME A112.18.1 / CSA B125.1
- NSF 61 - Section 9
- NSF 372 (Low Lead Content)
- EPAAct 2005 (PRSV)
- CSA B64.8



**Warranty:** One Year (Limited)

#### Performance Data:

- Pressure: 20 - 125 psi
- Temperature: 40°F - 140°F
- Flow Rate: 1.42 GPM @ 60 psi

#### Optional Handles

- 4" Wrist Action
- Lever (Standard)
- 4-Arm

#### Optional Cartridges With Checks

- Quarter-Turn Cerama w/ Check Valve
- Quarter-Turn Eterna w/ Spring Check (Standard)

#### Optional Pre-Rinse Spray Valves

- B-0107 (1.42 GPM)
- B-0107-C (0.65 GPM)
- B-0107-J (1.07 GPM)
- B-0108 (1.07 GPM)
- B-0108-C (0.65 GPM)



T&S BRASS AND BRONZE WORKS, INC.



• 2 Saddleback Cove • Travelers Rest, SC 29690  
 Ph 800-476-4103 • Fax 864-834-3518  
 • Simi Valley, CA • Ph 800-423-0150 • www.tsbrass.com

Date: 02/28/18