



**T&S BRASS AND BRONZE WORKS, INC.**  
 2 Saddleback Cove / P.O. Box 1088  
 Travelers Rest, SC 29690

Model No.  
**006219-40**

Item No.

Travelers Rest, SC: 800-476-4103 • Simi Valley, CA: 800-423-0150 • Fax: 864-834-3518 • www.tsbrass.com

This Space for Architect/Engineer Approval

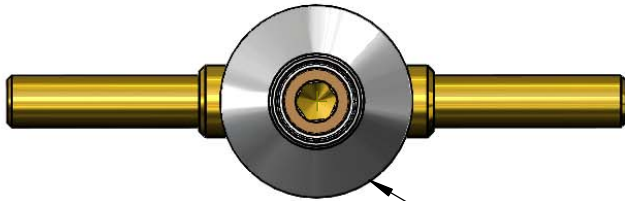
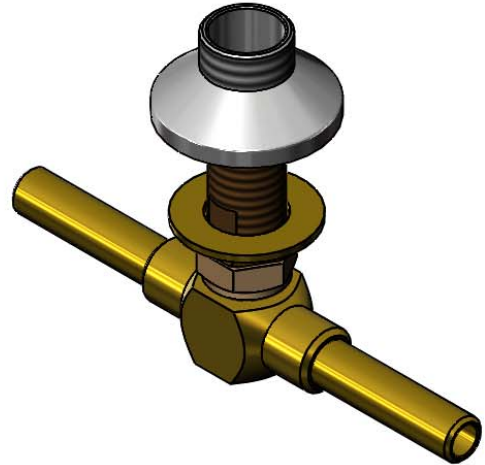
Job Name \_\_\_\_\_ Date \_\_\_\_\_

Model Specified \_\_\_\_\_ Quantity \_\_\_\_\_

Customer/Wholesaler \_\_\_\_\_

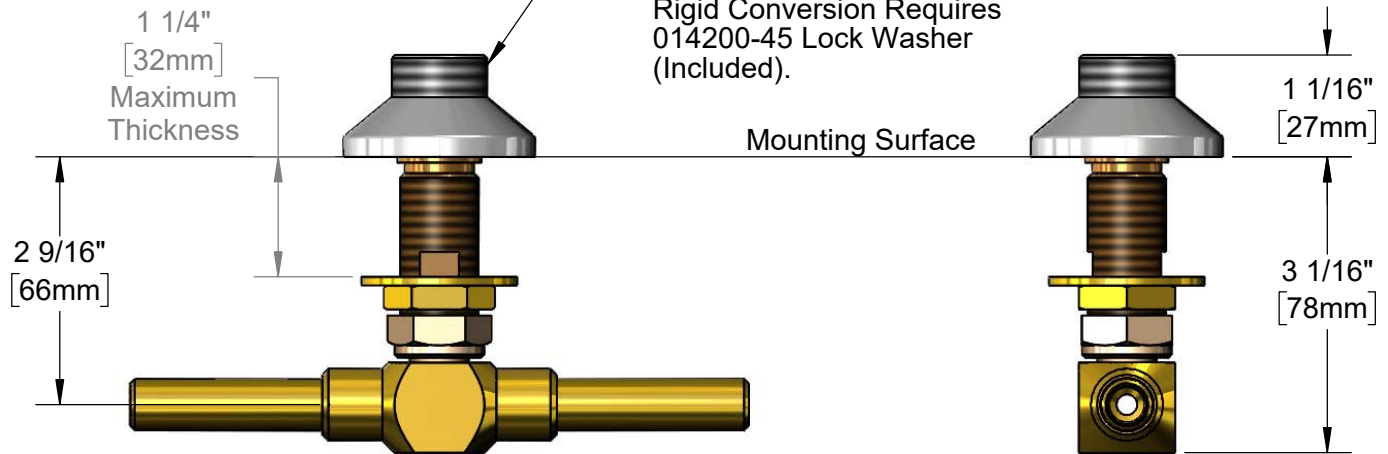
Contractor \_\_\_\_\_

Architect/Engineer \_\_\_\_\_



Ø2" [51mm]  
 Flange

Swivel Outlet Accepts  
 Standard T&S Swing  
 Nozzles & Risers.  
 Rigid Conversion Requires  
 014200-45 Lock Washer  
 (Included).



Product Specifications:  
 8" Cross Body w/ Swivel Base Flange Outlet

Product Compliance:  
 NSF 61 - Section 9  
 NSF 372 (Low Lead Content)



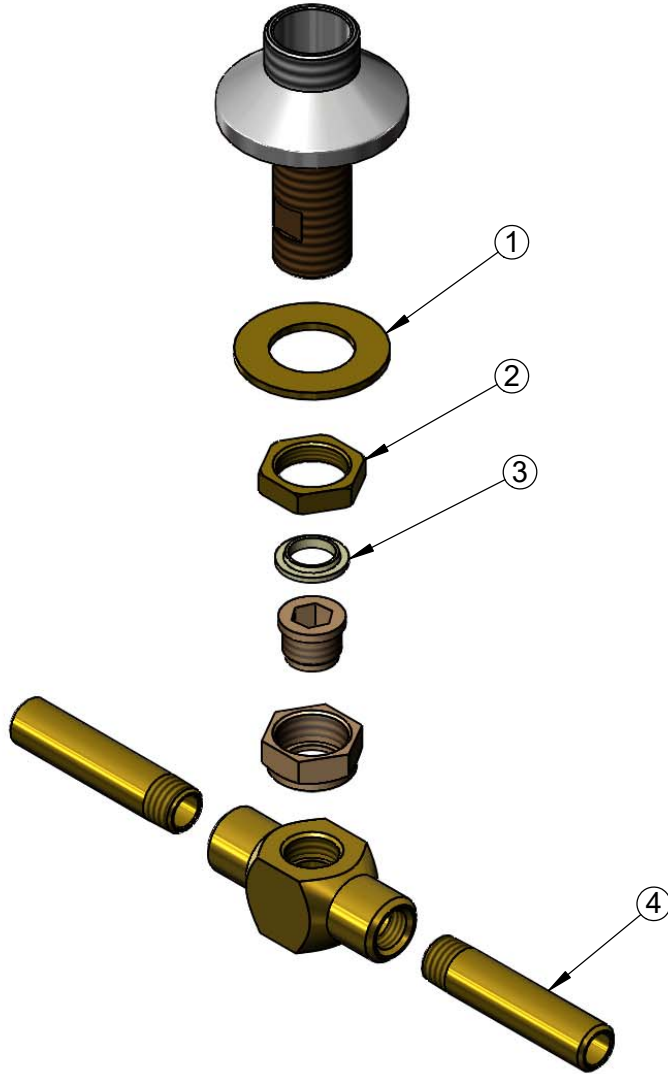
**T&S BRASS AND BRONZE WORKS, INC.**  
2 Saddleback Cove / P.O. Box 1088  
Travelers Rest, SC 29690

Model No.  
**006219-40**

Item No.

Travelers Rest, SC: 800-476-4103 • Simi Valley, CA: 800-423-0150 • Fax: 864-834-3518 • www.tsbrass.com

ITEM NO.	SALES NO.	DESCRIPTION
1	000999-45	Brass Lock Washer
2	002954-45	Shank Lock Nut
3	012702-45	Cross Body Washer
4	000342-20	B-0850 Nipple



Product Specifications:  
8" Cross Body w/ Swivel Base Flange Outlet

Product Compliance:  
NSF 61 - Section 9  
NSF 372 (Low Lead Content)