



T&S BRASS AND BRONZE WORKS, INC.

2 Saddleback Cove / P.O. Box 1088
Travelers Rest, SC 29690

Model No.

B-2491

Item No.

Travelers Rest, SC: 800-476-4103 • Simi Valley, CA: 800-423-0150 • Fax: 864-834-3518 • www.tsbrass.com



ADA Compliant

This Space for Architect/Engineer Approval

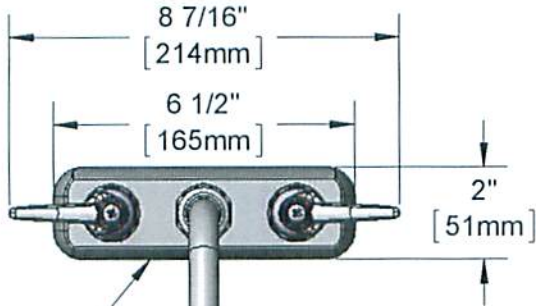
Job Name _____ Date _____

Model Specified _____ Quantity _____

Customer/Wholesaler _____

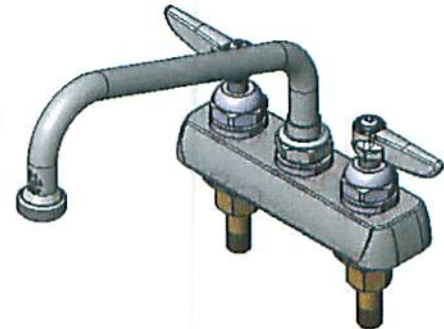
Contractor _____

Architect/Engineer _____



Polish Chrome Escutcheon

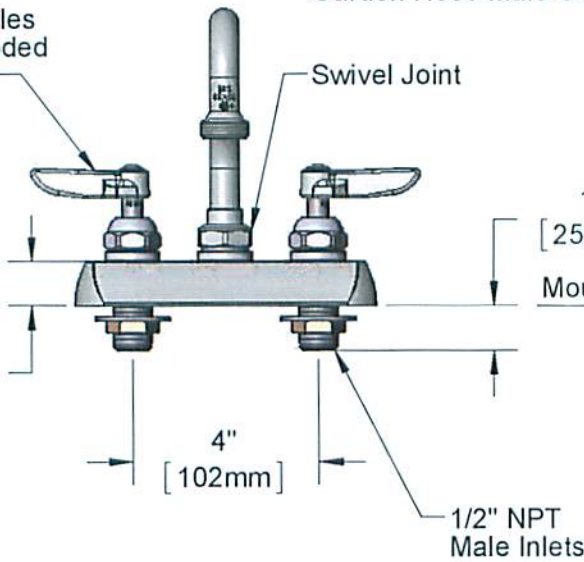
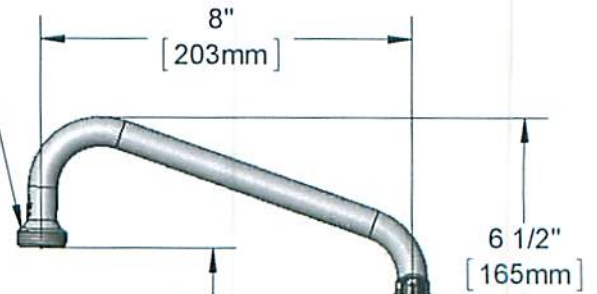
CONTROLLED COPY



Lever Handles w/ Color Coded Indexes

8" Swing Nozzle w/ B-GFE Garden Hose Male Outlet

Swivel Joint



1" [25mm] Mounting Surface

1/4" [6mm] Maximum Thickness

(2) 150A Optional Tailpiece & Nut for 1/4" NPT Connection (Included)

Rough-In Requirement:
(2) Ø 1" [25mm] Mounting Holes

Product Specifications:
4" Deck Mount Workboard Mixing Faucet, Lever Handles, 8" Swing Nozzle w/ Garden Hose Male Outlet & 1/2" NPT Male Inlets

Product Compliance:
ASME A112.18.1 / CSA B125.1
NSF 61 - Section 9
NSF 372 (Low Lead Content)
ANSI A117.1 (ADA)



T&S BRASS AND BRONZE WORKS, INC.

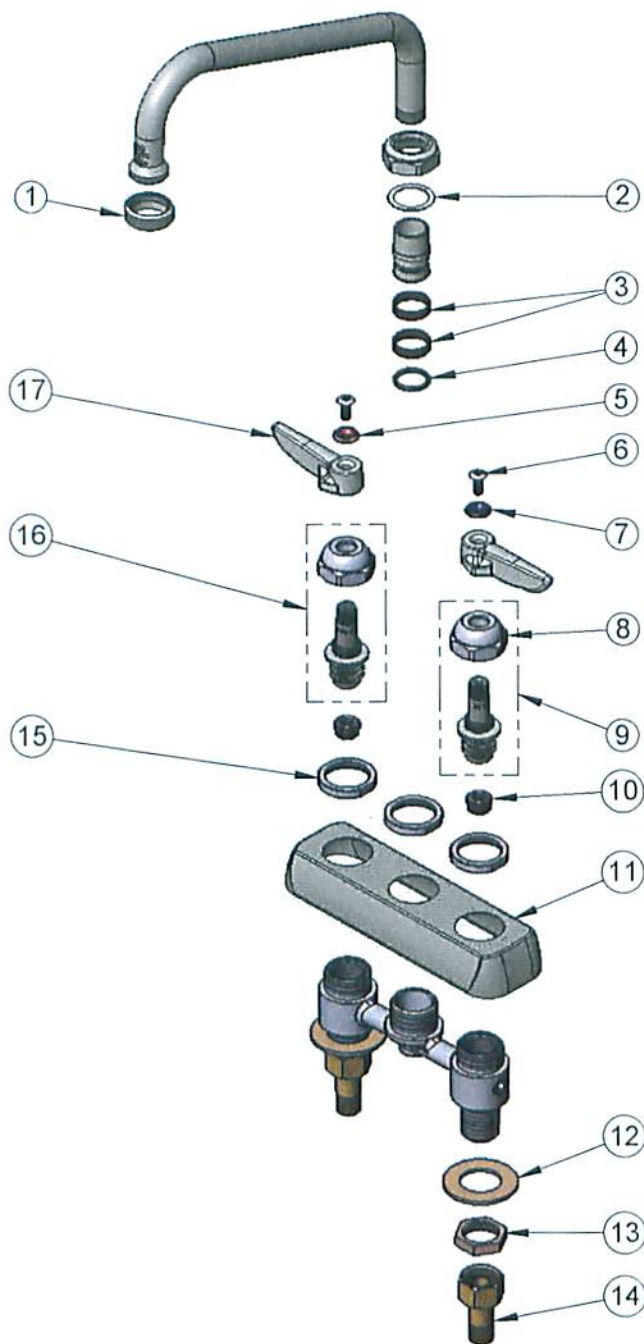
2 Saddleback Cove / P.O. Box 1088
Travelers Rest, SC 29690

Model No.

B-2491

Item No.

Travelers Rest, SC: 800-476-4103 • Simi Valley, CA: 800-423-0150 • Fax: 864-834-3518 • www.tsbrass.com



ITEM NO.	SALES NO.	DESCRIPTION
1	B-GFE	Garden Hose Male Adapter x Aerator Thread
2	009538-45	Swivel Washer
3	011429-45	Swivel Sleeves (2)
4	001074-45	O-Ring
5	001661-45	Red Index-HW
6	000922-45	Lever Handle Screw
7	001660-45	Blue Index-CW
8	009749-25	Bonnet Nut
9	009754-25	B-1100 Spindle, LTC
10	000763-20	Seat
11	001258-40	Escutcheon
12	000999-45	Brass Lock Washer
13	002954-45	Shank Lock Nut
14	150A	1/4" NPT Tailpiece & Nut
15	000712-25	Escutcheon Lock Nut
16	009753-25	B-1100 Spindle, RTC
17	001638-45	Lever Handle

CONTROLLED COPY
JJB 2014

Product Specifications:

4" Deck Mount Workboard Mixing Faucet, Lever Handles, 8" Swing Nozzle w/ Garden Hose Male Outlet & 1/2" NPT Male Inlets

Product Compliance:

ASME A112.18.1 / CSA B125.1
NSF 61 - Section 9
NSF 372 (Low Lead Content)
ANSI A117.1 (ADA)