



**T&S BRASS AND BRONZE WORKS, INC.**  
 2 SADDLEBACK COVE / P.O. BOX 1088 / TRAVELERS REST, SC 29690  
 PHONE 800-476-4103 - FAX 864- 834-3518



Model No.

B-2289

**RELIABILITY  
 BUILT IN**

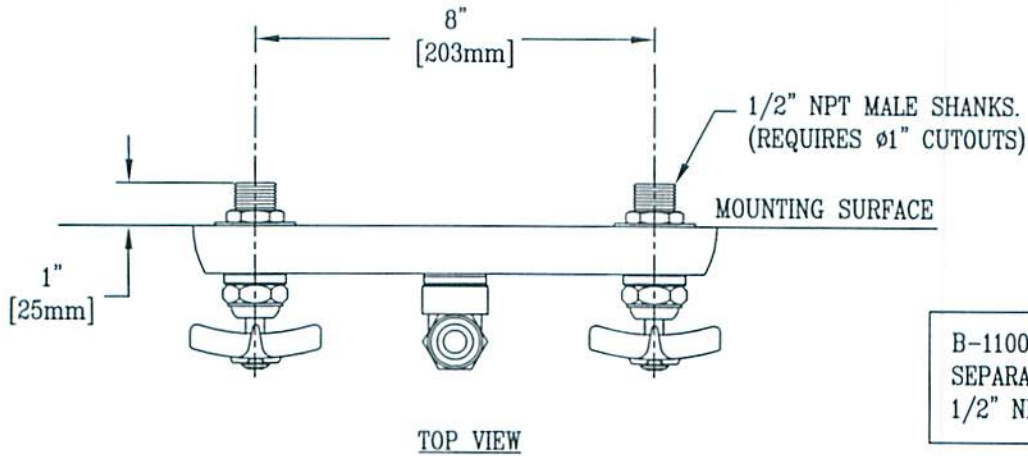
Job Name:

Architect/Engineer Approval:

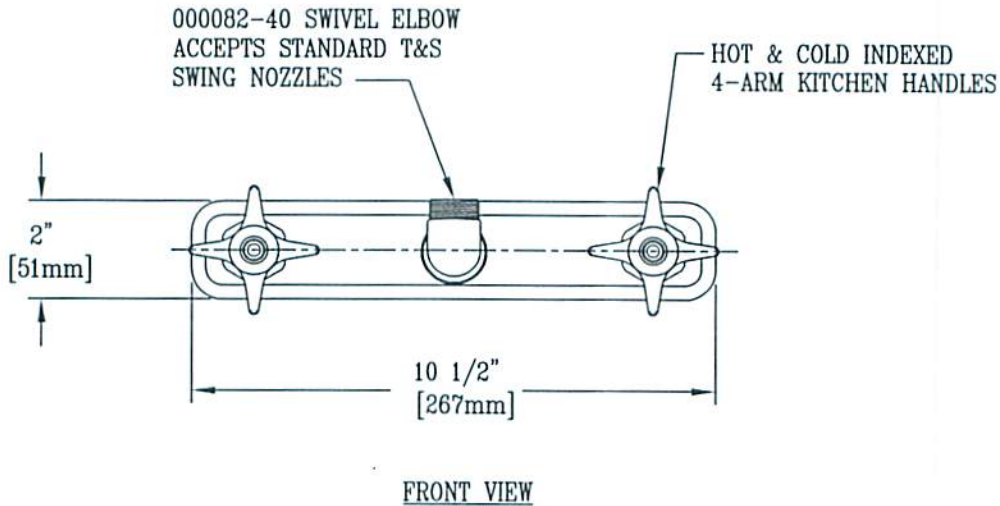
Notes:



**ADA Compliant**



B-1100-K ELBOW KIT SOLD SEPARATELY. CONTAINS (2) 1/2" NPT MALE 90° ELBOWS



150A Tailpiece and Nut  
 Furnished for 1/4" NPT  
 Connection



**CONTROLLED COPY**  
 JAN 10 2003

Product Description:

WALL MOUNT WORKBOARD FAUCET w/ 1/2" NPT MALE SHANKS, 8" INLET CENTERS, LESS NOZZLE, LEVER HANDLES & 000082-40 SWIVEL OUTLET ELBOW

Drawn:

KJG

Checked

JRM

Scale:

1 : 4

Approved

JHB

Date:

12/19/07