



T&S BRASS AND BRONZE WORKS, INC.

2 Saddleback Cove / P.O. Box 1088
Travelers Rest, SC 29690

Model No.

B-1177

Item No.

Travelers Rest, SC: 800-476-4103 • Simi Valley, CA: 800-423-0150 • Fax: 864-834-3518 • www.tsbrass.com



ADA Compliant

This Space for Architect/Engineer Approval

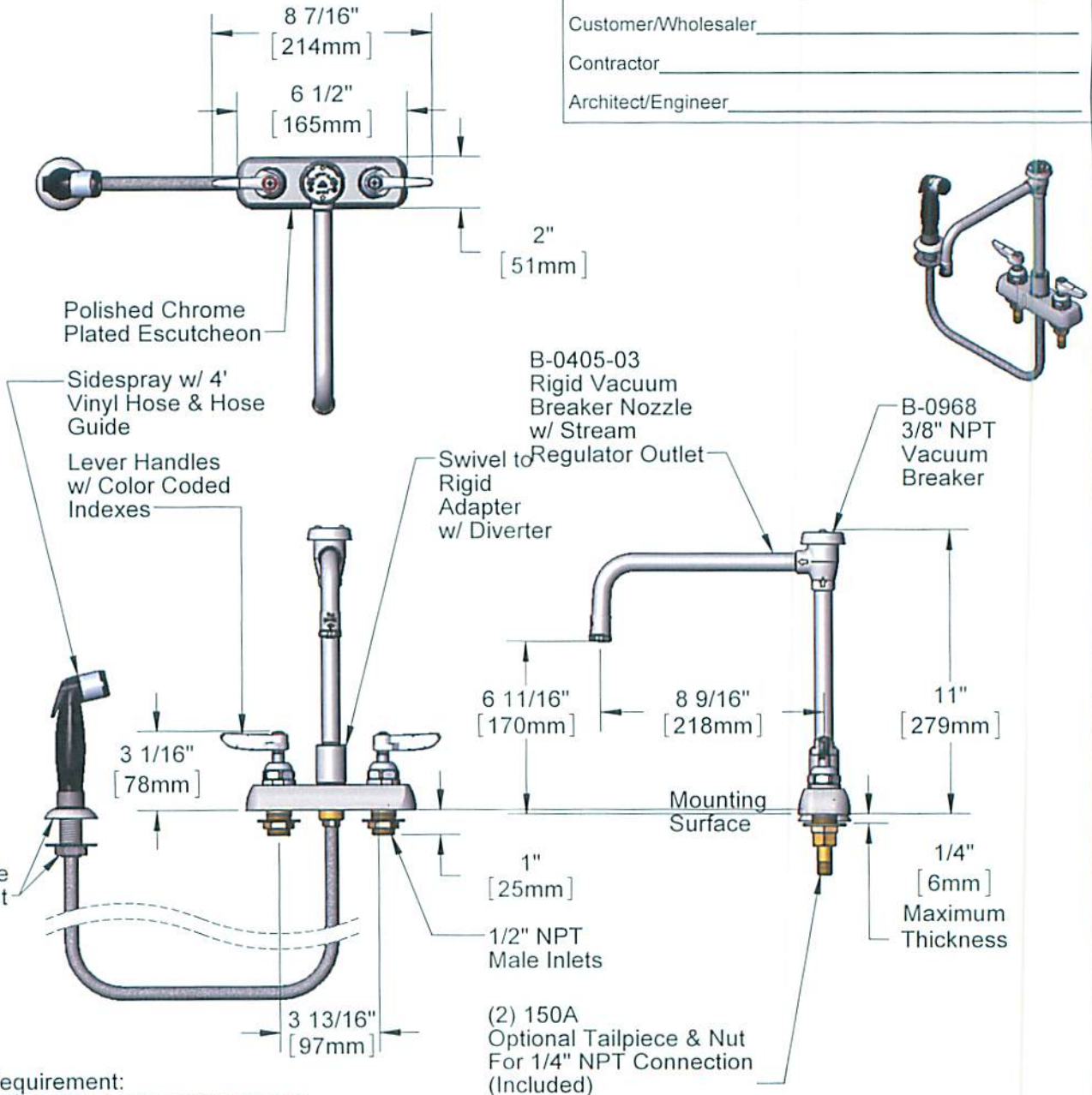
Job Name _____ Date _____

Model Specified _____ Quantity _____

Customer/Wholesaler _____

Contractor _____

Architect/Engineer _____



Rough-In Requirement:
Faucet: (3) ϕ 1" [25mm] Mounting Holes
Sidespray: (1) ϕ 1" [25mm] Mounting Hole

Product Specifications:

4" Deck Mount Workboard Mixing Faucet, Lever Handles, Rigid Vacuum Breaker Nozzle, 4' Vinyl Hose Sidespray w/ Hose Guide & 1/2" NPT Male Inlets

Product Compliance:

ASME A112.18.1 / CSA B125.1
NSF 61 - Section 9
NSF 372 (Low Lead Content)
ANSI A117.1 (ADA)
ASSE 1001 (VB)

CONTROLLED COPY



T&S BRASS AND BRONZE WORKS, INC.

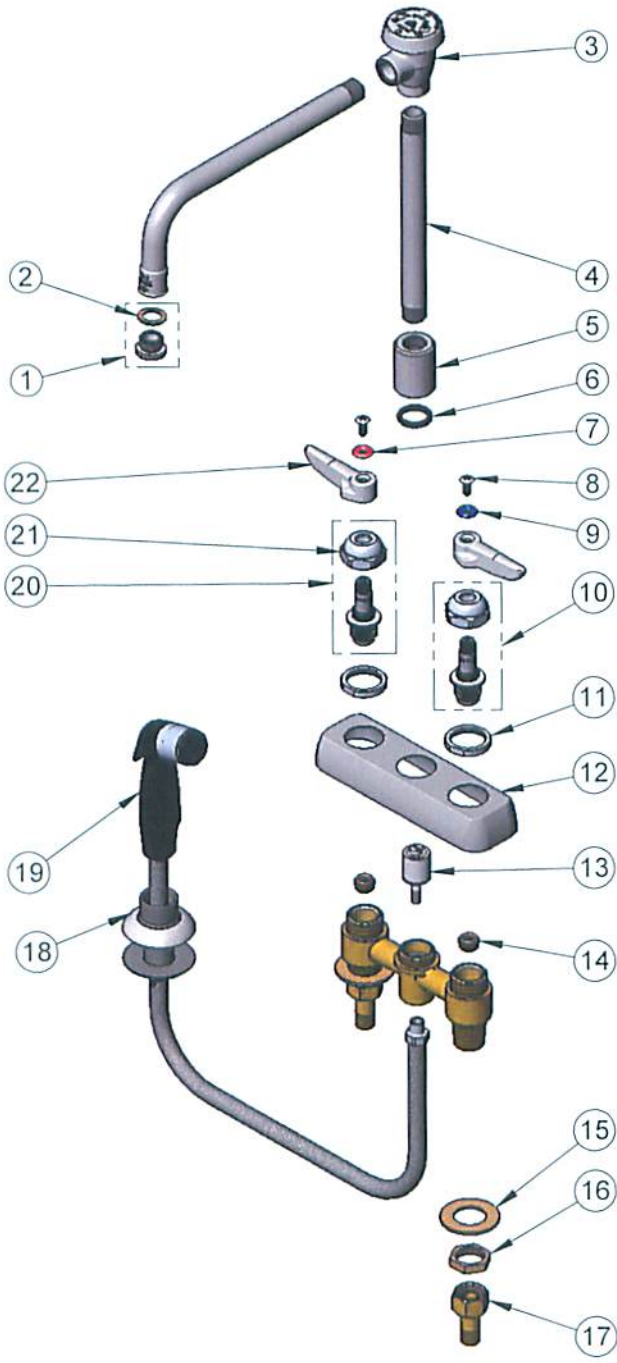
2 Saddleback Cove / P.O. Box 1088
Travelers Rest, SC 29690

Model No.

B-1177

Item No.

Travelers Rest, SC: 800-476-4103 • Simi Valley, CA: 800-423-0150 • Fax: 864-834-3518 • www.tsbrass.com



| ITEM NO. | SALES NO. | DESCRIPTION |
|----------|-----------|---|
| 1 | B-LT | Stream Regulator Outlet |
| 2 | 001043-45 | Washer |
| 3 | B-0968 | 3/8" NPT Vacuum Breaker |
| 4 | 000363-40 | Nipple, 3/8" NPT x 7" |
| 5 | 1171-X | Swivel to Rigid Adapter |
| 6 | 001040-45 | Washer |
| 7 | 001661-45 | Red Index-HW |
| 8 | 000922-45 | Lever Handle Screw |
| 9 | 001660-45 | Blue Index-CW |
| 10 | 009754-25 | B-1100 Spindle, LTC |
| 11 | 000712-25 | Escutcheon Lock Nut |
| 12 | 001258-40 | Escutcheon |
| 13 | 002338-45 | Valve Diverter Piston |
| 14 | 000763-20 | Seat |
| 15 | 000999-45 | Brass Lock Washer |
| 16 | 002954-45 | Shank Lock Nut |
| 17 | 150A | 1/4" NPT Tailpiece & Nut |
| 18 | 001496-45 | Hose Guide |
| 19 | 001495-45 | Sidespray w/ 4' Vinyl Hose & Hose Guide |
| 20 | 009753-25 | B-1100 Spindle, RTC |
| 21 | 009749-25 | Bonnet Nut |
| 22 | 001638-45 | Lever Handle |

Product Specifications:

4" Deck Mount Workboard Mixing Faucet, Lever Handles, Rigid Vacuum Breaker, Nozzle, 4' Vinyl Hose Sidespray w/ Hose Guide & 1/2" NPT Male Inlets

Product Compliance:

ASME A112.18.1 / CSA B125.1
NSF 61 - Section 9
NSF 372 (Low Lead Content)
ANSI A117.1 (ADA)
ASSE 1001 (VB)

CONTROLLED COPY