



T&S BRASS AND BRONZE WORKS, INC.
 2 SADDLEBACK COVE / P.O. BOX 1088 / TRAVELERS REST, SC 29690
 PHONE 800-476-4103 - FAX 864- 834-3518



Model No.

B-1147

RELIABILITY
 BUILT IN

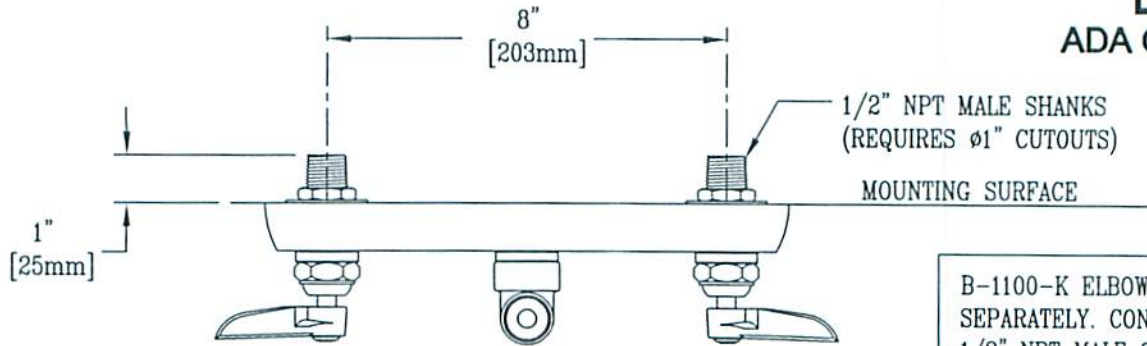
Job Name:

Architect/Engineer Approval:

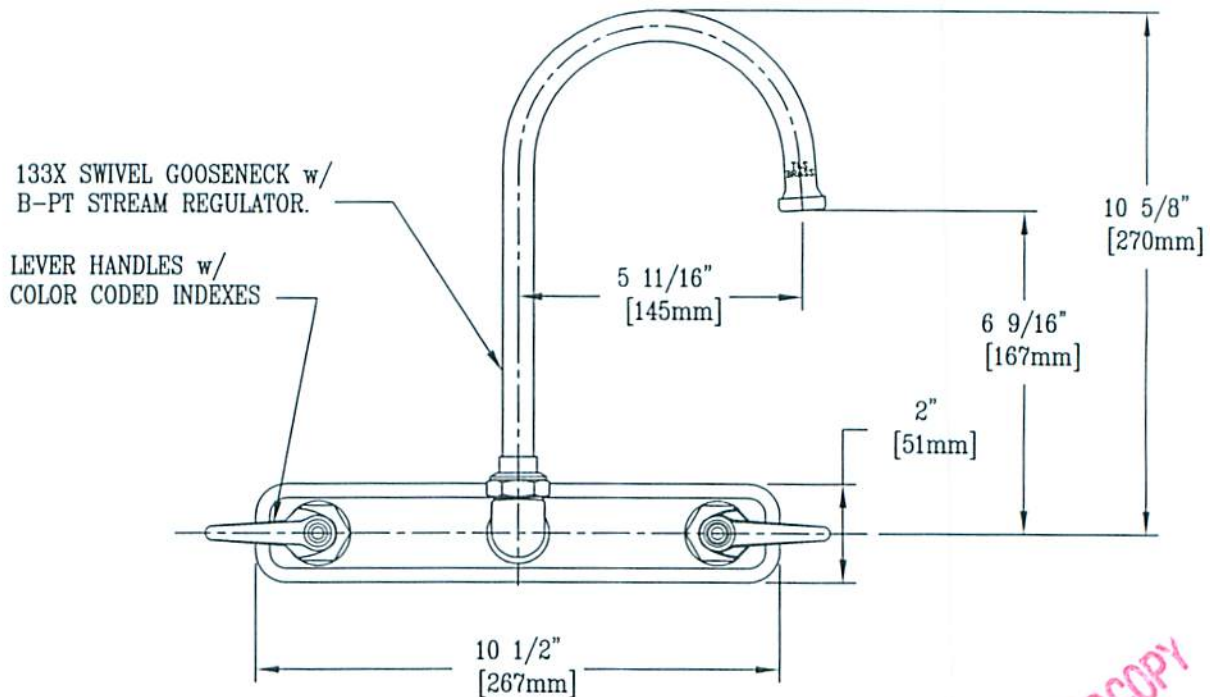
Notes:



ADA Compliant



B-1100-K ELBOW KIT SOLD SEPARATELY. CONTAINS (2) 1/2" NPT MALE 90° ELBOWS



150A Tailpiece and Nut
 Furnished for 1/4" NPT Connection

CONTROLLED COPY
 JAN 10 2008

Product Description:

WALL MOUNT WORKBOARD FAUCET WITH 1/2" NPT MALE SHANKS, 8" INLET CENTERS, 133X SWIVEL GOOSENECK, LEVER HANDLES & B-PT STREAM REGULATOR

Drawn:

KJG

Checked

JRM

Scale:

1 : 4

Approved

JHB

Date:

12/19/07