



T&S BRASS AND BRONZE WORKS, INC.

2 Saddleback Cove / P.O. Box 1088
Travelers Rest, SC 29690

Model No.

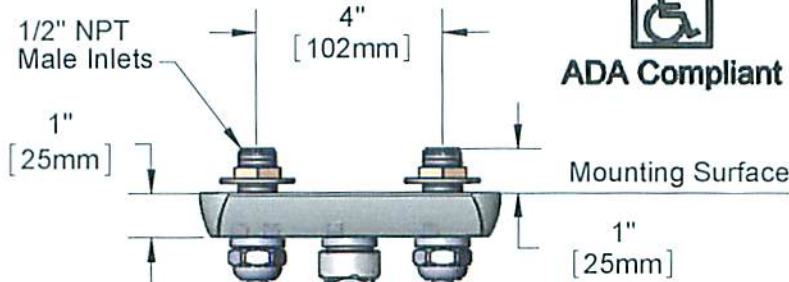
B-1146-04

Item No.

Travelers Rest, SC: 800-476-4103 • Simi Valley, CA: 800-423-0150 • Fax: 864-834-3518 • www.tsbrass.com



ADA Compliant



This Space for Architect/Engineer Approval

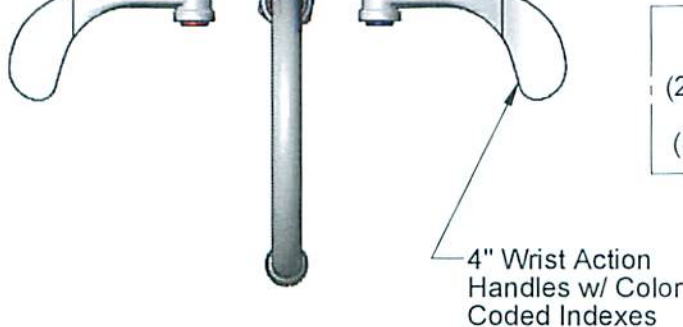
Job Name _____ Date _____

Model Specified _____ Quantity _____

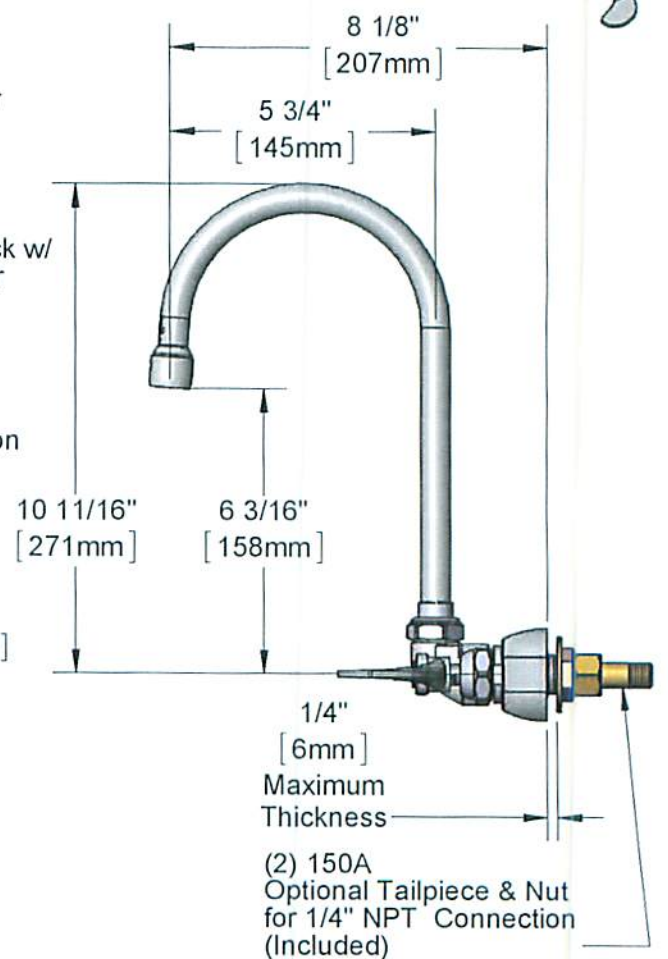
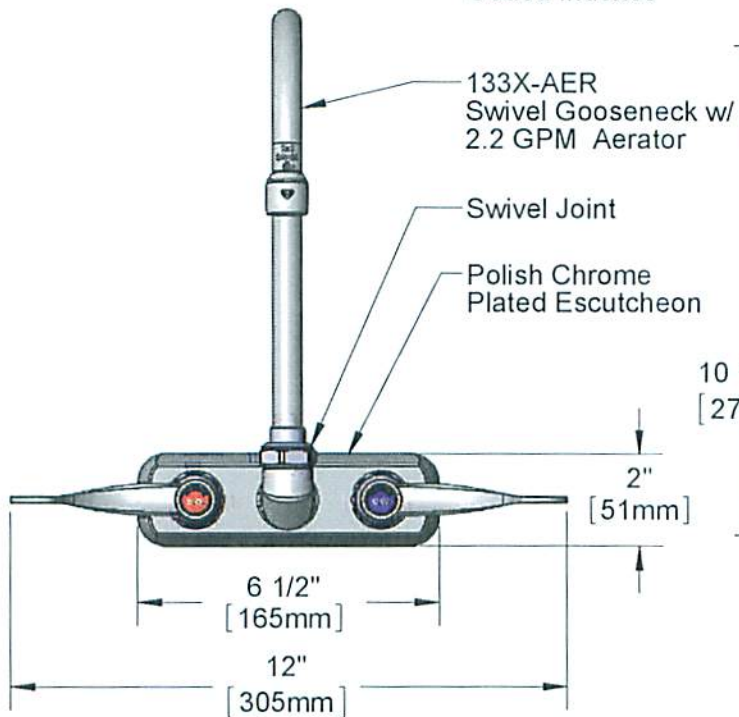
Customer/Wholesaler _____

Contractor _____

Architect/Engineer _____



B-1100-K
Elbow Kit w/
(2) 1/2" NPT Male
90° Elbows
(Sold Separately)



Rough-In Requirement:
(2) \varnothing 1" [25mm] Mounting Holes

Product Specifications:
4" Wall Mount Workboard Mixing Faucet, 4" Wrist Action Handles, Swivel Gooseneck, 2.2 GPM Aerator & 1/2" NPT Male Inlets

Product Compliance:
ASME A112.18.1 / CSA B125.1
NSF 61 - Section 9
NSF 372 (Low Lead Content)
ANSI A117.1 (ADA)

CONTROLLED COPY



T&S BRASS AND BRONZE WORKS, INC.

2 Saddleback Cove / P.O. Box 1088
Travelers Rest, SC 29690

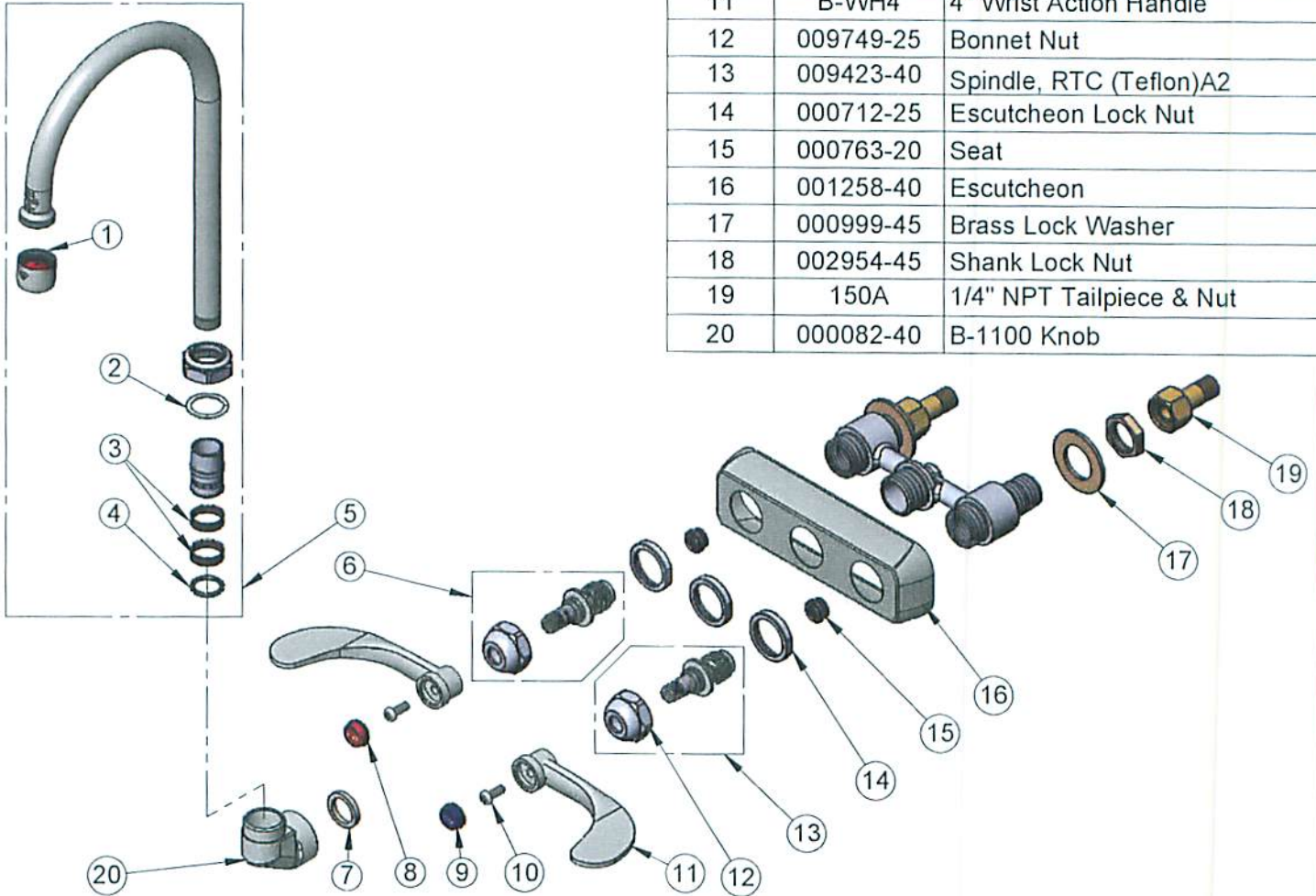
Model No.

B-1146-04

Item No.

Travelers Rest, SC: 800-476-4103 • Simi Valley, CA: 800-423-0150 • Fax: 864-834-3518 • www.tsbrass.com

ITEM NO.	SALES NO.	DESCRIPTION
1	B-0199-01	2.2 GPM Aerator, 55/64"-27 UN Female
2	009538-45	Swivel Washer
3	011429-45	Swivel Sleeves (2)
4	001074-45	O-Ring
5	133X-AER	6" Swivel Gooseneck w/ Aerator
6	009424-40	Spindle, LTC (Teflon)
7	001017-45	Washer
8	001194-45	Red Index-HW
9	001686-45	Blue Index-CW
10	000925-45	Lab Handle Screw
11	B-WH4	4" Wrist Action Handle
12	009749-25	Bonnet Nut
13	009423-40	Spindle, RTC (Teflon)A2
14	000712-25	Escutcheon Lock Nut
15	000763-20	Seat
16	001258-40	Escutcheon
17	000999-45	Brass Lock Washer
18	002954-45	Shank Lock Nut
19	150A	1/4" NPT Tailpiece & Nut
20	000082-40	B-1100 Knob



Product Specifications:

4" Wall Mount Workboard Mixing Faucet, 4" Wrist Action Handles, Swivel Gooseneck, 2.2 GPM Aerator & 1/2" NPT Male Inlets

CONTROLLED COPY

Product Compliance:

ASME A112.18.1 / CSA B125.1
NSF 61 - Section 9
NSF 372 (Low Lead Content)
ANSI A117.1 (ADA)