



T&S BRASS AND BRONZE WORKS, INC.

2 Saddleback Cove / P.O. Box 1088
Travelers Rest, SC 29690

Model No.

B-1146-01-WS

Item No.

Travelers Rest, SC: 800-476-4103 • Simi Valley, CA: 800-423-0150 • Fax: 864-834-3518 • www.tsbrass.com



ADA Compliant

This Space for Architect/Engineer Approval

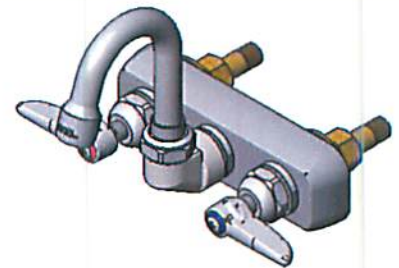
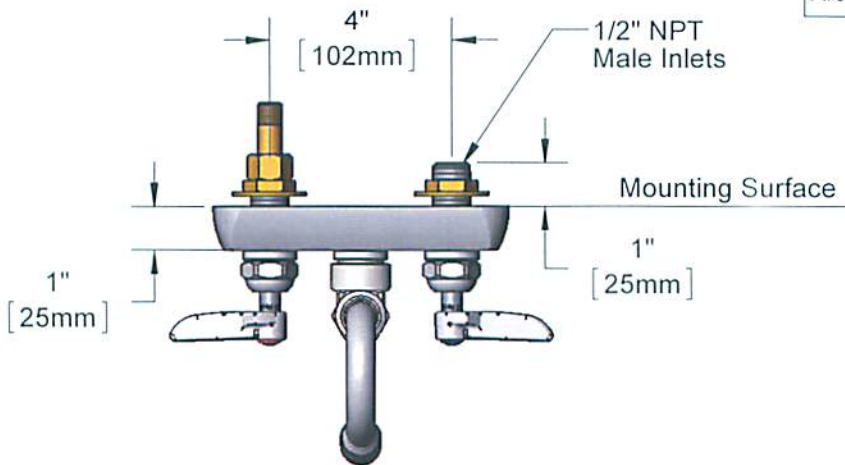
Job Name _____ Date _____

Model Specified _____ Quantity _____

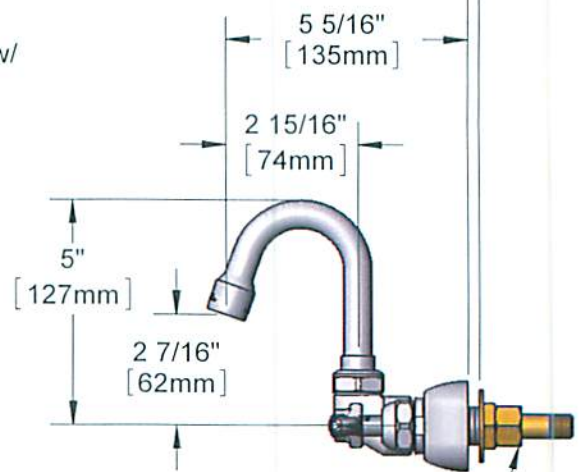
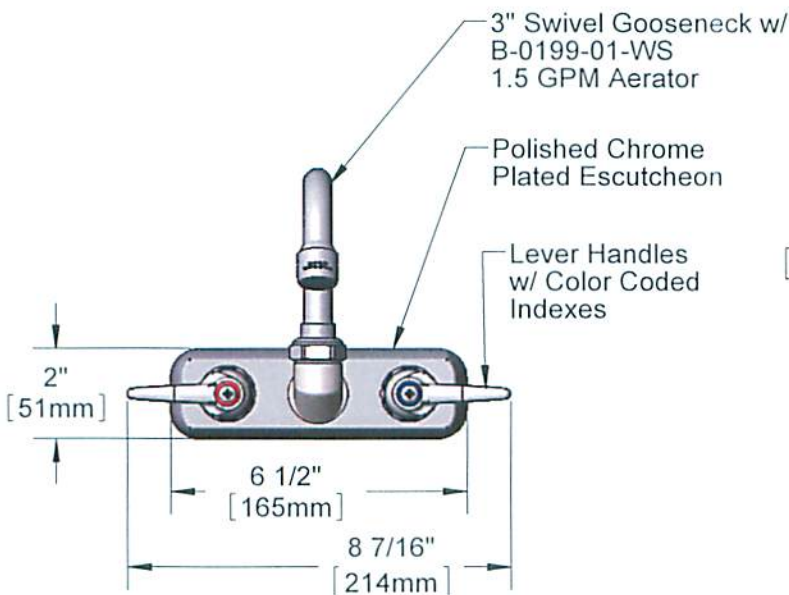
Customer/Wholesaler _____

Contractor _____

Architect/Engineer _____



1/4" [6mm] Maximum Thickness



(2) 150A Optional Tailpieces & Nuts for 1/4" NPT Connections (Included)

Rough-In Requirement:
(2) Ø 1" [25mm] Mounting Holes

Product Specifications:
4" Wall Mount Workboard Faucet w/ Lever Handles, Swivel Gooseneck w/ 1.5 GPM Aerator & 1/2" NPT Male Inlets

Product Compliance:

ASME A112.18.1 / CSA B125.1
NSF 61 - Section 9
NSF 372 (Low Lead Content)
ANSI A117.1 (ADA)

CONTROLLED COPY



T&S BRASS AND BRONZE WORKS, INC.

2 Saddleback Cove / P.O. Box 1088
Travelers Rest, SC 29690

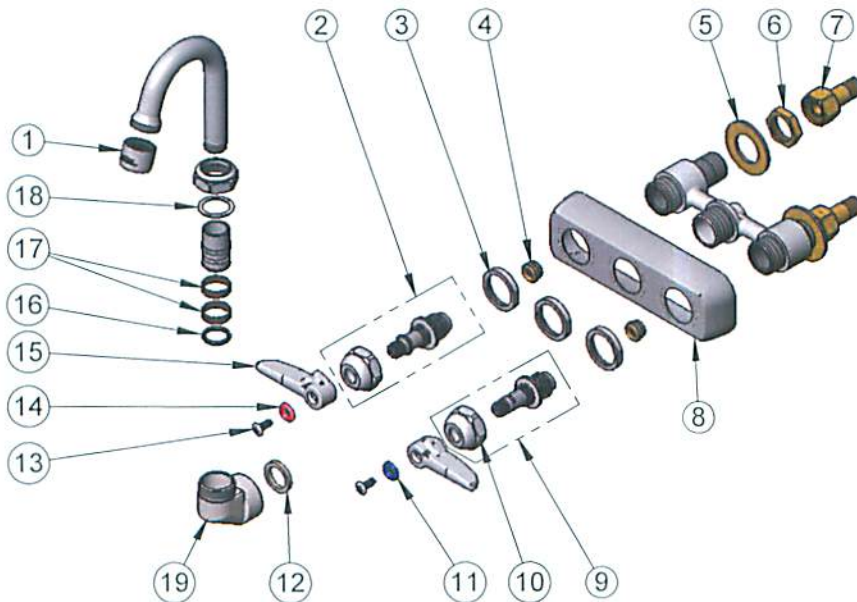
Model No.

B-1146-01-WS

Item No.

Travelers Rest, SC: 800-476-4103 • Simi Valley, CA: 800-423-0150 • Fax: 864-834-3518 • www.tsbrass.com

ITEM NO.	SALES NO.	DESCRIPTION
1	B-0199-01-WS	1.5 GPM Aerator, 55/64-27 Female
2	009754-25	B-1100 Spindle Assembly, LTC
3	000712-25	Escutcheon Lock Nut
4	000763-20	Seat
5	000999-45	Brass Lock Washer
6	002954-45	Shank Lock Nut
7	150A	Bag of (1) Nut & (1) Tailpiece
8	001258-40	Escutcheon
9	009753-25	B-1100 Spindle Assembly, RTC
10	009749-25	Bonnet Nut
11	001660-45	Blue Index-CW
12	001017-45	Washer
13	000922-45	Lever Handle Screw
14	001661-45	Red Index-HW
15	001638-45	Lever Handle
16	001074-45	O-Ring
17	011429-45	Swivel Sleeves (2)
18	009538-45	Swivel Washer
19	000082-40	B-1100 Knob



Product Specifications:

4" Wall Mount Workboard Faucet w/ Lever Handles, Swivel Gooseneck
w/ 1.5 GPM Aerator & 1/2" NPT Male Inlets

Product Compliance:

ASME A112.18.1 / CSA B125.1
NSF 61 - Section 9
NSF 372 (Low Lead Content)
ANSI A117.1 (ADA)

CONTROLLED COPY