



T&S BRASS AND BRONZE WORKS, INC.
 2 Saddleback Cove / P.O. Box 1088
 Travelers Rest, SC 29690

Model No.
B-1115-XS

Item No.

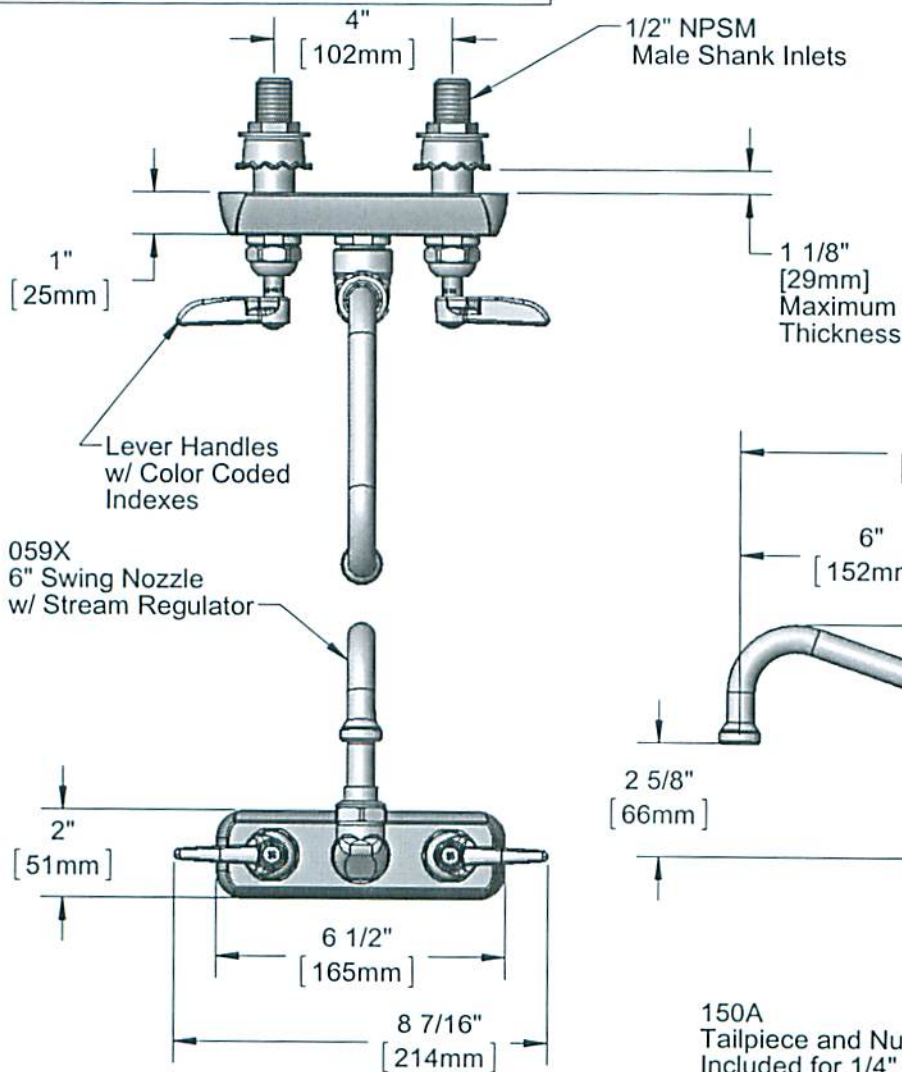
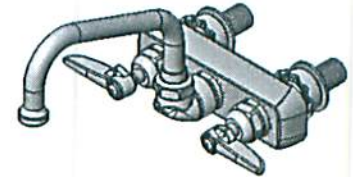
Travelers Rest, SC: 800-476-4103 • Simi Valley, CA: 800-423-0150 • Fax: 864-834-3518 • www.tsbrass.com

This Space for Architect/Engineer Approval

Job Name _____ Date _____
 Model Specified _____ Quantity _____
 Customer/Wholesaler _____
 Contractor _____
 Architect/Engineer _____



ADA Compliant



CONTROLLED COPY
 JUN 12 2012

Rough-In Requirement:
 (2) Ø 1" [25mm] Mounting Holes

Product Specifications:
 4" Wall Mount Workboard Faucet w/ Lever Handles, 6" Swing Nozzle,
 Stream Regulator, 1/2" NPSM Male Extended Shanks

Drawn KJG	Checked GEF	Approved JHB
Scale: 1:4		Date: 05/31/12



T&S BRASS AND BRONZE WORKS, INC.

2 Saddleback Cove / P.O. Box 1088
Travelers Rest, SC 29690

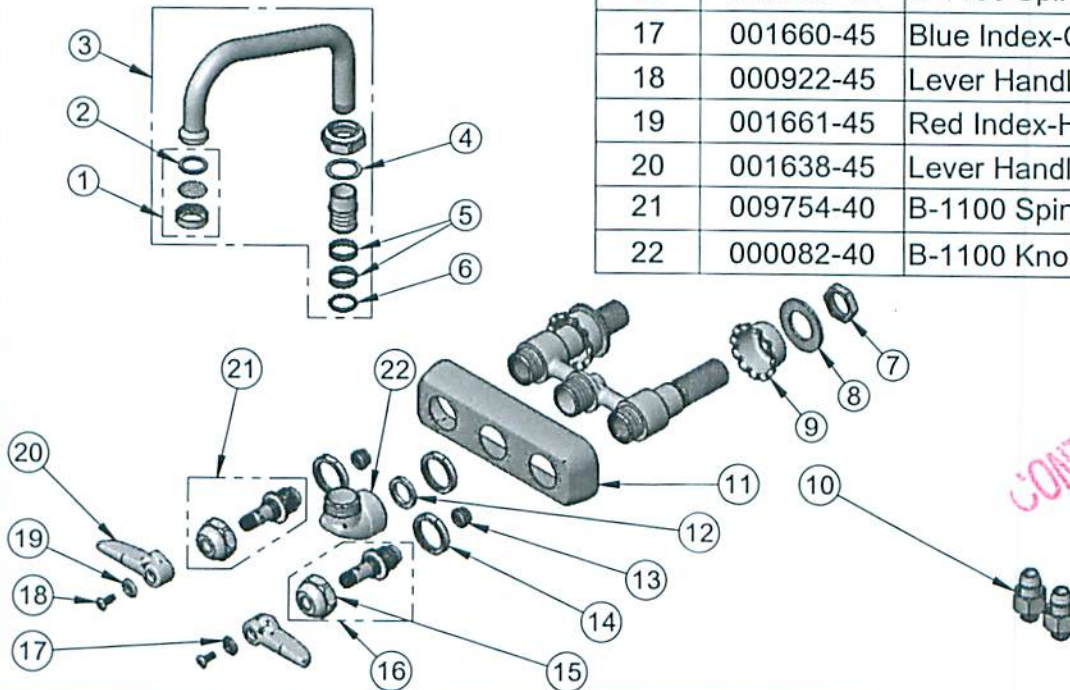
Model No.

B-1115-XS

Item No.

Travelers Rest, SC: 800-476-4103 • Simi Valley, CA: 800-423-0150 • Fax: 864-834-3518 • www.tsbrass.com

ITEM NO.	SALES NO.	DESCRIPTION
1	B-PT	Stream Regulator Outlet
2	001048-45	Nozzle Tip Washer
3	059X	6" Swing Nozzle
4	009538-45	Swivel Washer
5	011429-45	Swivel Sleeves (2)
6	001074-45	O-Ring
7	002954-45	Shank Lock Nut
8	000999-45	Brass Lock Washer
9	001000-45	Rosette Washer
10	150A	Bag of (1) Nut & (1) Tailpiece,
11	001258-40	Escutcheon
12	001017-45	Washer
13	000763-20	Seat
14	000712-25	Escutcheon Lock Nut
15	009749-25	Bonnet Nut
16	009753-40	B-1100 Spindle Assembly, RTC
17	001660-45	Blue Index-CW
18	000922-45	Lever Handle Screw
19	001661-45	Red Index-HW
20	001638-45	Lever Handle
21	009754-40	B-1100 Spindle Assembly, LTC
22	000082-40	B-1100 Knob



CONTROLLED COPY

Product Specifications:

4" Wall Mount Workboard Faucet w/ Lever Handles, 6" Swing Nozzle, Stream Regulator, 1/2" NPSM Male Extended Shanks

Drawn KJG	Checked GEF	Approved JHB
Scale: NTS		Date: 05/31/12