



T&S BRASS AND BRONZE WORKS, INC.

2 Saddleback Cove / P.O. Box 1088
Travelers Rest, SC 29690

Model No.

MPY-2DLV-08

Item No.

Travelers Rest, SC: 800-476-4103 • Simi Valley, CA: 800-423-0150 • Fax: 864-834-3518 • www.tsbrass.com

This Space for Architect/Engineer Approval

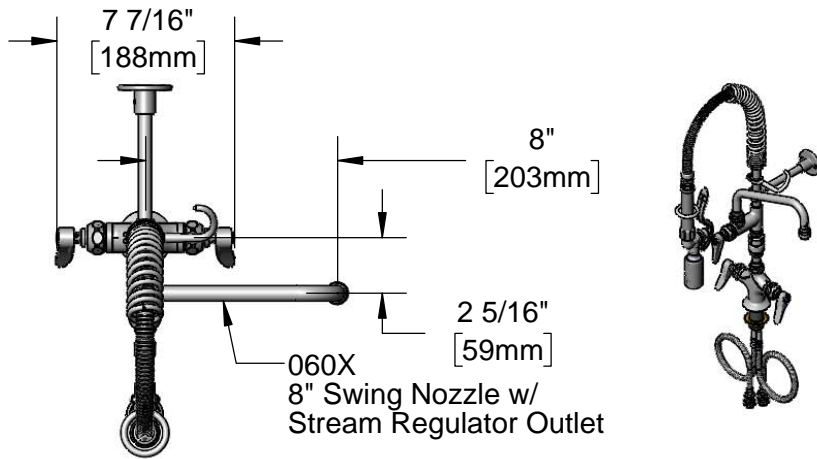
Job Name _____ Date _____

Model Specified _____ Quantity _____

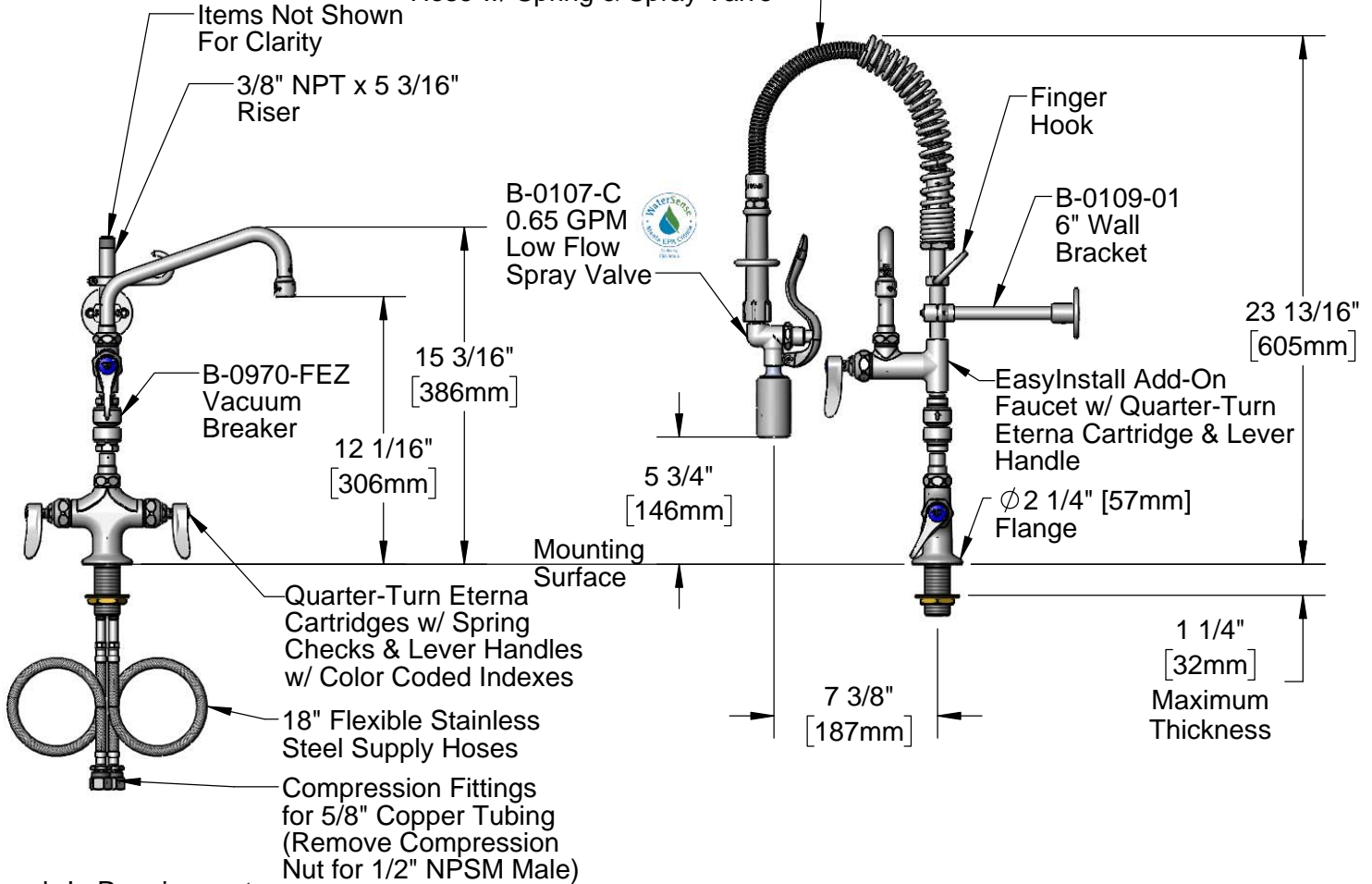
Customer/Wholesaler _____

Contractor _____

Architect/Engineer _____



24" Flexible Stainless Steel
Hose w/ Spring & Spray Valve



Rough-In Requirement:
Ø1 1/2" [38mm] Mounting Hole

Product Specifications:

Pre-Rinse Unit: EasyInstall Single Hole Deck Mount Mixing Faucet, Quarter-Turn Eterna Cartridges w/ Spring Checks, Lever Handles, Add-On Faucet w/ 8" Swing Nozzle, Compact Spring, 24" Flexible Stainless Steel Hose, 0.65 GPM Low Flow Spray Valve, Vacuum Breaker, 6" Wall Bracket & Flexible Supply Hoses

Product Compliance:

ASME A112.18.1 / CSA B125.1
NSF 61 - Section 9
NSF 372 (Low Lead Content)
EPA Act 2005 (PRSV)
For Commercial Use Only
EPA WaterSense (PRSV)



T&S BRASS AND BRONZE WORKS, INC.

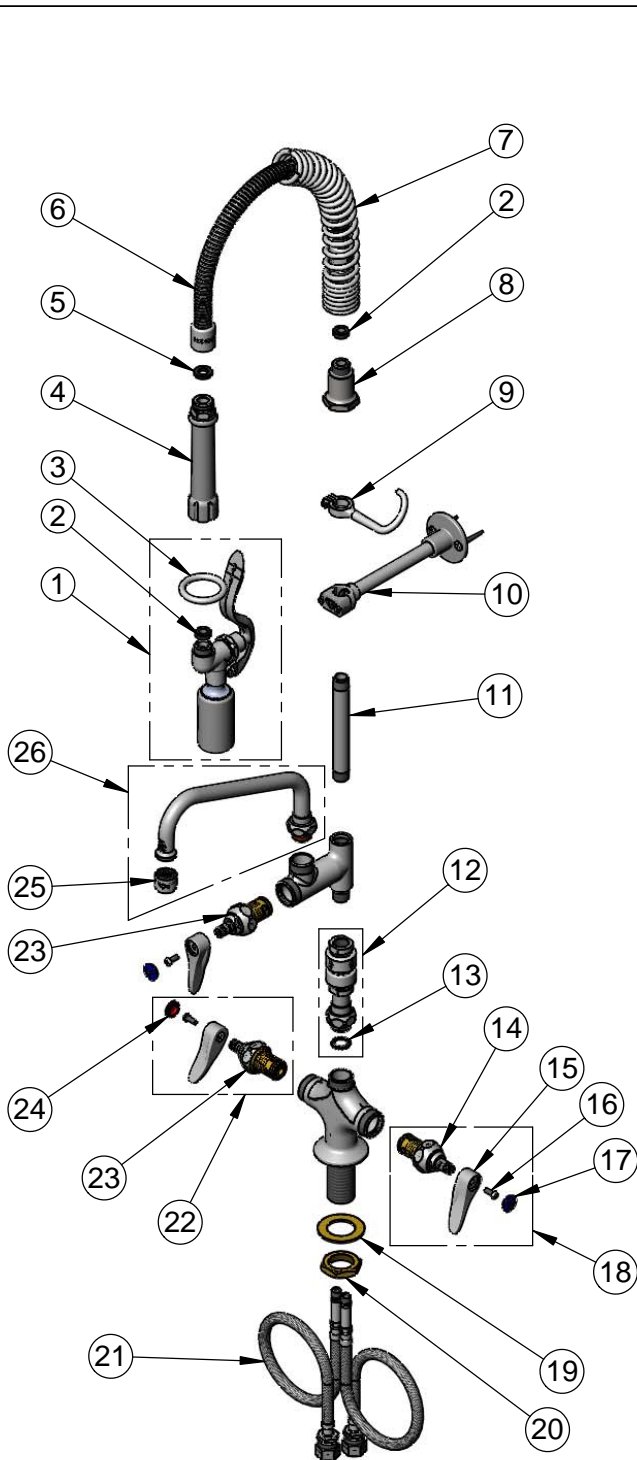
2 Saddleback Cove / P.O. Box 1088
Travelers Rest, SC 29690

Model No.

MPY-2DLV-08

Item No.

Travelers Rest, SC: 800-476-4103 • Simi Valley, CA: 800-423-0150 • Fax: 864-834-3518 • www.tsbrass.com



ITEM NO.	SALES NO.	DESCRIPTION
1	B-0107-C	0.65 GPM Low Flow Spray Valve
2	010476-45	#27 Washer
3	000907-45	Spray Valve Hold Down Ring
4	002987-40	Grip Handle
5	001014-45	Washer, B-0100 Hose Barrel
6	B-0024-H2A	24" Flexible Stainless Steel Hose, Less Handle
7	016795-45	Compact Spring
8	000821-40	Spring Body
9	004R	Finger Hook
10	B-0109-01	6" Wall Bracket
11	001617-40	Nipple, 3/8" NPT x 5-3/16"
12	B-0970-FEZ	3/8" NPT Vacuum Breaker
13	014200-45	Star Washer, Anti-Rotation
14	012442-40NS	Quarter-Turn Eterna Cartridge w/ Spring Check, LTC
15	001638-45NS	Lever Handle (New Style)
16	000925-45	Lab Handle Screw
17	018506-19NS	Blue Button Index, Press-in
18	002711-40NS	Quarter-Turn Eterna Cartridge w/ Spring Check, Handle, Blue Index & Screw, LTC
19	002290-45	Lock Washer
20	000965-45	Lock Nut
21	012534-45	18" Flexible Connector Hose (2)
22	002712-40NS	Quarter-Turn Eterna Cartridge w/ Spring Check, Handle, Red Index & Screw, RTC
23	012443-40NS	Quarter-Turn Eterna Cartridge w/ Spring Check, RTC
24	001193-19NS	Red Button Index, Press-in
25	B-PT	Full Flow Stream Regulator
26	060X	8" Swing Nozzle

Product Specifications:

Pre-Rinse Unit: EasyInstall Single Hole Deck Mount Mixing Faucet, Quarter-Turn Eterna Cartridges w/ Spring Checks, Lever Handles, Add-On Faucet w/ 8" Swing Nozzle, Compact Spring, 24" Flexible Stainless Steel Hose, 0.65 GPM Low Flow Spray Valve, Vacuum Breaker, 6" Wall Bracket & Flexible Supply Hoses

Product Compliance:

ASME A112.18.1 / CSA B125.1
NSF 61 - Section 9
NSF 372 (Low Lead Content)
EPA Act 2005 (PRSV)
For Commercial Use Only
EPA WaterSense (PRSV)