



**T&S BRASS AND BRONZE WORKS, INC.**  
 2 Saddleback Cove / P.O. Box 1088  
 Travelers Rest, SC 29690

Model No.

**EW-SP225**

Item No.

Travelers Rest, SC: 800-476-4103 • Simi Valley, CA: 800-423-0150 • Fax: 864-834-3518 • www.tsbrass.com

This Space for Architect/Engineer Approval

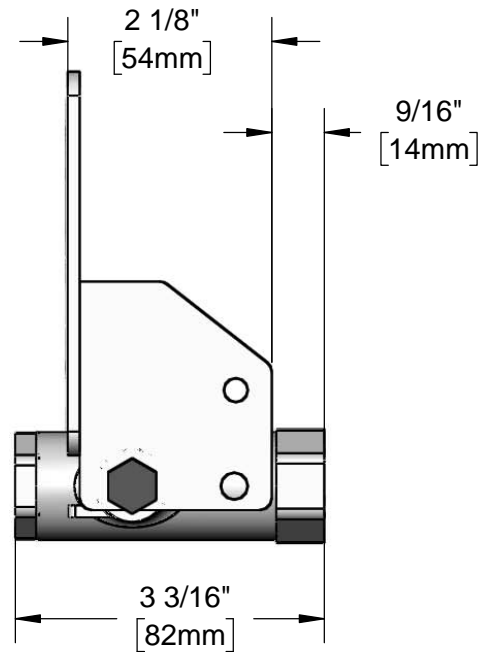
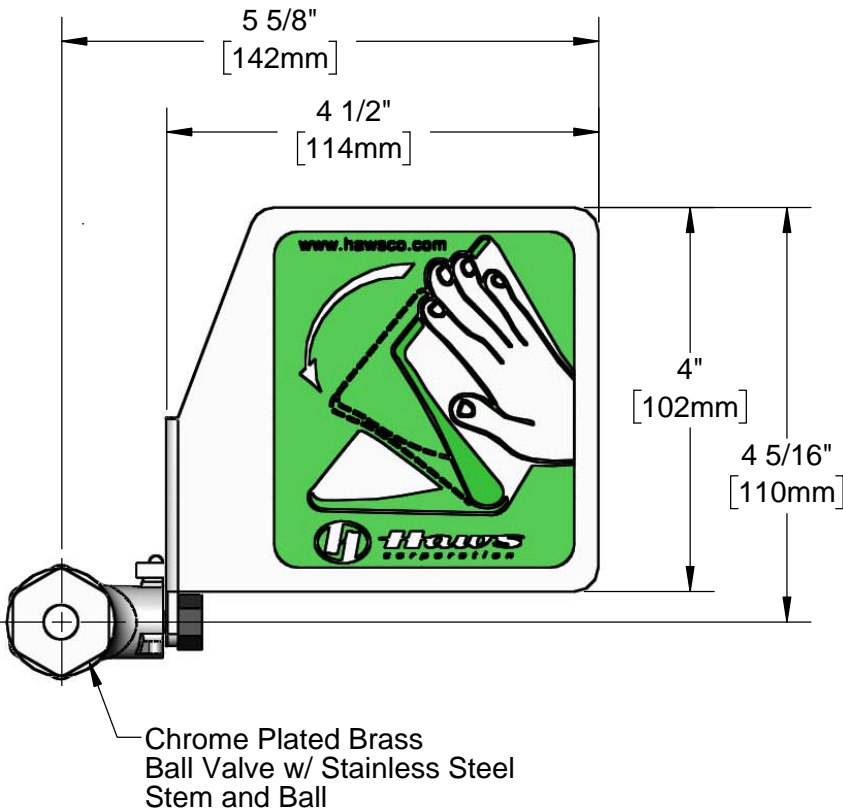
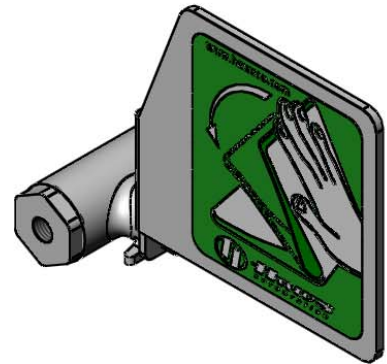
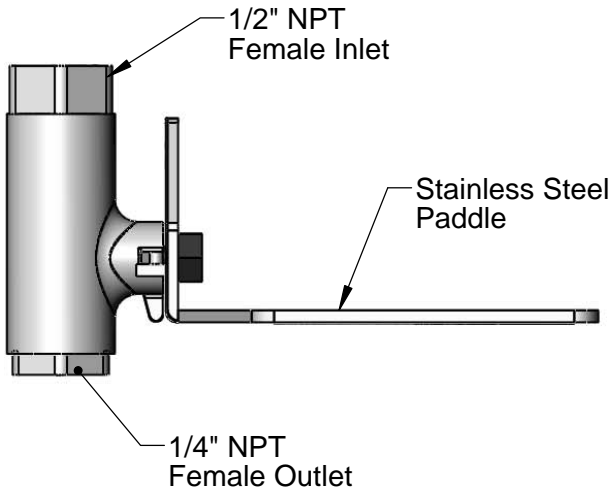
Job Name \_\_\_\_\_ Date \_\_\_\_\_

Model Specified \_\_\_\_\_ Quantity \_\_\_\_\_

Customer/Wholesaler \_\_\_\_\_

Contractor \_\_\_\_\_

Architect/Engineer \_\_\_\_\_



**Product Specifications:**  
 Stainless Steel Push Flag with Stay Open Chrome Plated Brass Ball Valve, Stainless Steel Stem and Ball, 1/2" NPT Female Inlet and 1/4" NPT Female Outlet

**Product Compliance:**  
 NSF 61 Exempt (Non-Potable)  
 ANSI Z358.1 (Latest Revision)