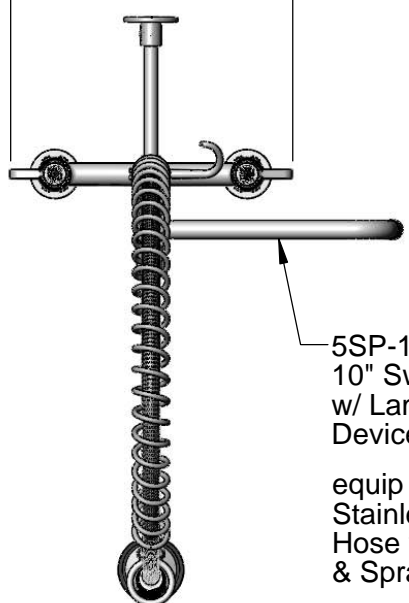


11 3/4"
[299mm]



5SP-10
10" Swing Nozzle
w/ Laminar Flow
Device

equip 44" Flexible
Stainless Steel
Hose w/ Spring
& Spray Valve

Items Not Shown
For Clarity

3/8" NPT x 18"
Riser

Finger Hook

10 1/8"
[257mm]

12 1/2"
[317mm]

10 1/16"
[256mm]

7 1/2"
[191mm]

16 1/2"
[419mm]

8"
[203mm]

Adjustable From
7 3/4" to 8 1/4"
[197mm to 210mm]

Ceramic Cartridges
& equip Lever
Handles w/ Color
Coded Screws

Ø 2" [51mm]
Flanges w/
In-Line Check
Valves & 1/2" NPT
Female Inlets

013716-40
6" Wall
Bracket

5SV-H
High Flow
Spray Valve

2 5/16"
[59mm]

5AFL10
Add-On Faucet w/
Ceramic Cartridge,
Lever Handle &
10" Swing Nozzle

Mounting Surface

38 5/16"
[973mm]

This Space for Architect/Engineer Approval

Job Name _____ Date _____
 Model Specified _____ Quantity _____
 Customer/Wholesaler _____
 Contractor _____
 Architect/Engineer _____



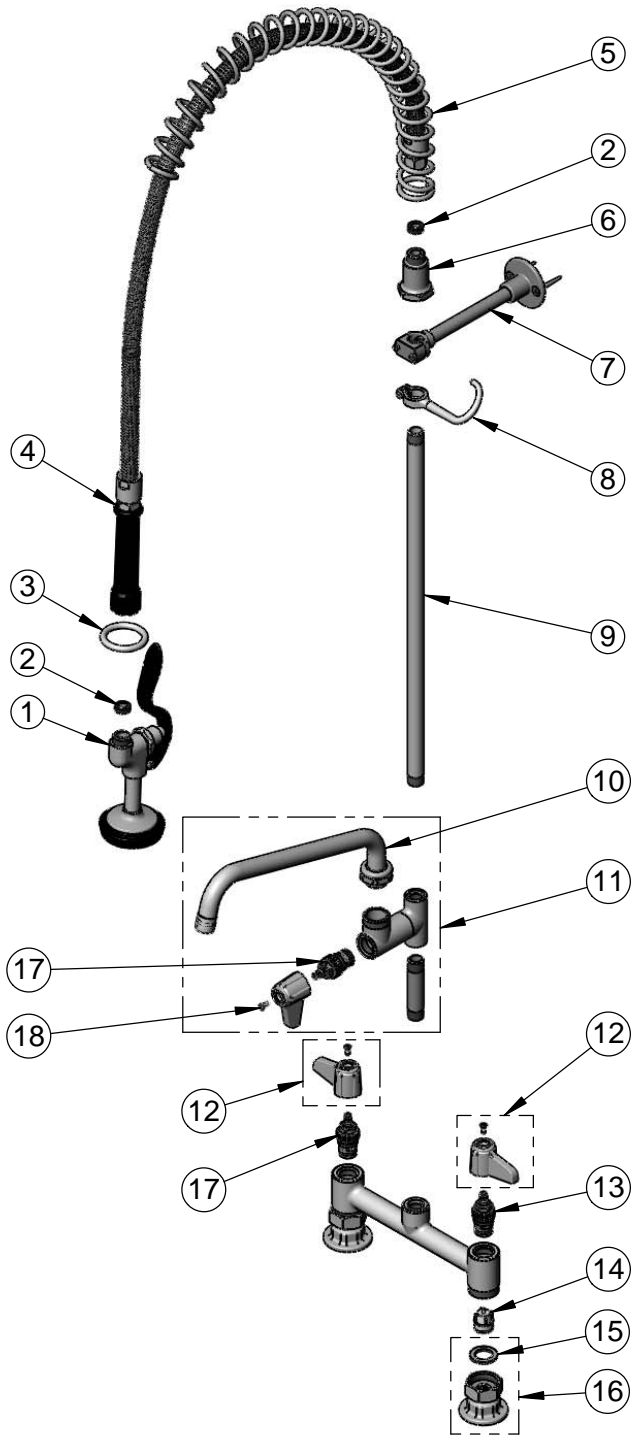
Model Number
5PR-8D10-H

Product Specifications:
Pre-Rinse Unit: 8" Deck Mount Mixing Faucet w/ Ceramic Cartridges, Add-On Faucet w/ 10" Swing Nozzle, 5SV-H High Flow Spray Valve, 6" Wall Bracket, In-Line Check Valves & 1/2" NPT Female Inlets

Product Compliance:
ASME A112.18.1 / CSA B125.1
NSF 61 - Section 9
NSF 372 (Low Lead Content)
EPA Act 2005 Non-Compliant (PRSV)

equip
Foodservice
Accessories

2 Saddleback Cove, P.O. Box 1088
Travelers Rest, South Carolina 29690
Phone: 800.891.4808 Fax: 800.868.0084
equip.tsbrass.com



ITEM NO.	SALES NO.	DESCRIPTION
1	5SV-H	equip High Flow Spray Valve
2	010476-45	#27 Washer
3	000907-45	Spray Valve Hold Down Ring
4	5HSE44	44" Flexible Stainless Steel Hose
5	014068-45	Overhead Spring
6	000821-40	Spring Body
7	013716-40	6" Wall Bracket
8	004R	Finger Hook
9	000369-40	3/8" NPT x 18" Riser
10	5SP-10	equip 10" Swing Nozzle
11	5AFL10	Add-On Faucet w/ 10" Swing Nozzle
12	5-HDL-L	equip Lever Handle w/ Color Coded Screws
13	013788-45	equip Ceramic Cartridge, LTC
14	013840-45	20mm Check Valve (2)
15	001019-45	Coupling Nut Washer
16	00AA	1/2" NPT Female Eccentric Flange
17	013787-45	equip Ceramic Cartridge, RTC
18	013849-45	Screw, 4mm Metric (10)

Model Number

5PR-8D10-H

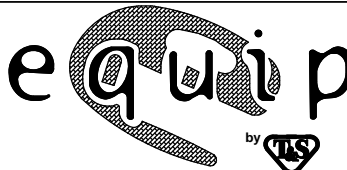
Product Specifications:

Pre-Rinse Unit: 8" Deck Mount Mixing Faucet w/ Ceramic Cartridges, Add-On Faucet w/ 10" Swing Nozzle, 5SV-H High Flow Spray Valve, 6" Wall Bracket, In-Line Check Valves & 1/2" NPT Female Inlets

Product Compliance:

ASME A112.18.1 / CSA B125.1
NSF 61 - Section 9
NSF 372 (Low Lead Content)
EPA Act 2005 Non-Compliant (PRSV)

equip
Foodservice
Accessories



2 Saddleback Cove, P.O. Box 1088
Travelers Rest, South Carolina 29690
Phone: 800.891.4808 Fax: 800.868.0084
equip.tsbrass.com