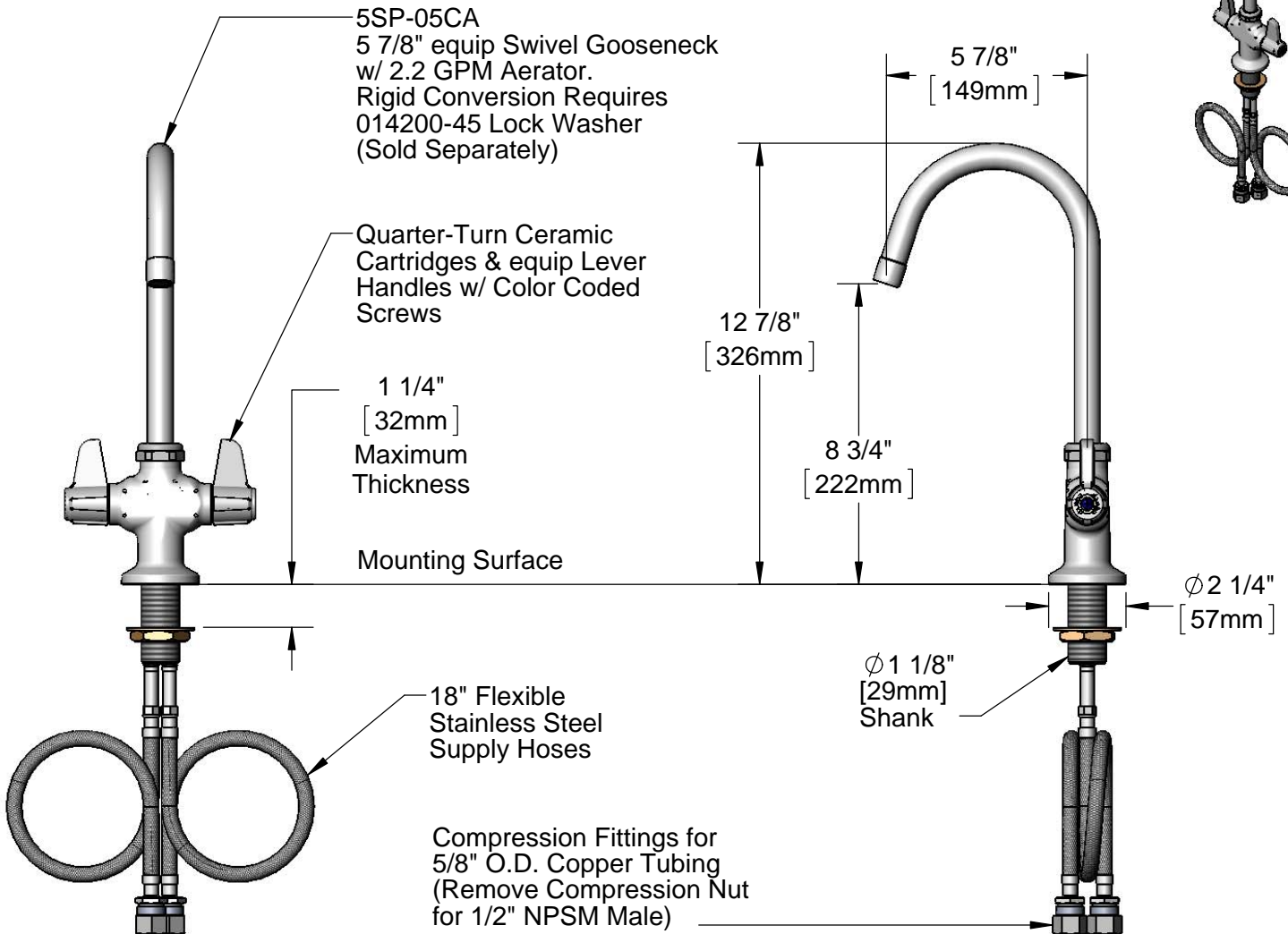


ADA Compliant

This Space for Architect/Engineer Approval

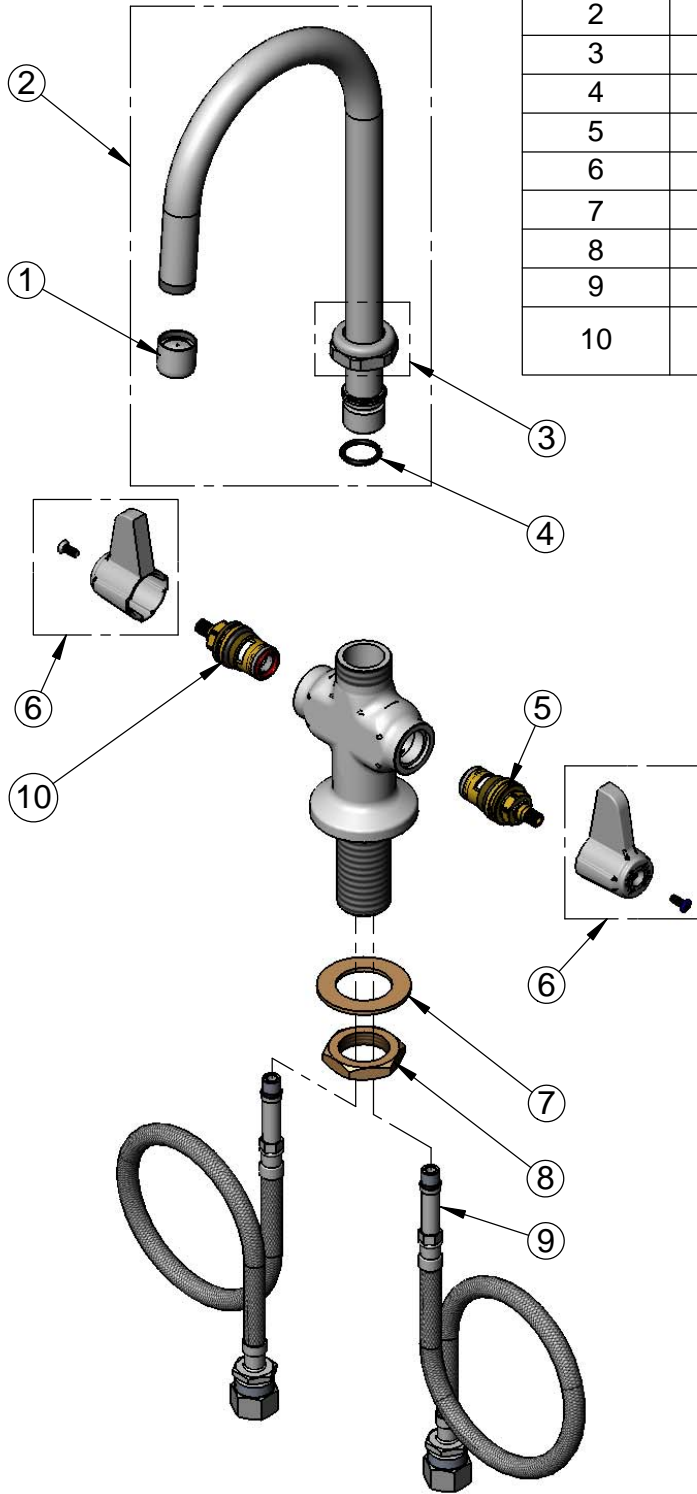
Job Name _____ Date _____
 Model Specified _____ Quantity _____
 Customer/Wholesaler _____
 Contractor _____
 Architect/Engineer _____



Rough-In Requirement:
 Ø 1 1/2" [38mm] Mounting Hole

| | | | | | |
|---|---|---------------|----------------|------------|---------------|
| Model Number <p style="text-align: center;">5F-2SLX05CA</p> | Product Specifications: <p style="text-align: center;">Single Hole Deck Mount Mixing Faucet, Quarter-Turn Ceramic Cartridges, equip Lever Handles, 5 7/8" equip Swivel Gooseneck, 2.2 GPM Aerator & 18" Flexible Inlets</p> | | | | |
| Product Compliance: ASME A112.18.1 / CSA B125.1 NSF 61 - Section 9 NSF 372 (Low Lead Content) ANSI A117.1 (ADA) | <div style="display: flex; justify-content: space-between; align-items: center;"> <div data-bbox="600 1906 738 1980"> <p>equip Foodservice Accessories</p> </div> <div data-bbox="743 1858 1096 2032"> </div> <div data-bbox="1101 1896 1567 1995"> <p>2 Saddleback Cove, P.O. Box 1088 Travelers Rest, South Carolina 29690 Phone: 800.891.4808 Fax: 800.868.0084 equip.tsbrass.com</p> </div> </div> | | | | |
| Drawn: KJG | Checked: JRM | Approved: JHB | Date: 08/15/15 | Scale: 1:5 | Sheet: 1 of 2 |

| ITEM NO. | SALES NO. | DESCRIPTION |
|----------|-----------|---|
| 1 | 013838-45 | 2.2 GPM Aerator, 3/4-27 UN Female |
| 2 | 5SP-05CA | 5 7/8" equip Swivel Gooseneck |
| 3 | 013839-25 | equip Swivel Nut |
| 4 | 013848-45 | equip Swivel Piece O-Ring |
| 5 | 013788-45 | equip Quarter-Turn Ceramic Cartridge, LTC |
| 6 | 5-HDL-L | equip Lever Handle w/ Color Coded Screws |
| 7 | 002290-45 | Lock Washer |
| 8 | 000965-45 | Lock Nut |
| 9 | 012534-45 | 18" Flexible Supply Hose (2) |
| 10 | 013787-45 | equip Quarter-Turn Ceramic Cartridge, RTC |



Model Number

5F-2SLX05CA

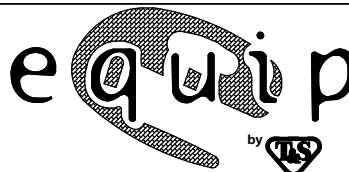
Product Specifications:

Single Hole Deck Mount Mixing Faucet, Quarter-Turn Ceramic Cartridges, equip Lever Handles, 5 7/8" equip Swivel Gooseneck, 2.2 GPM Aerator & 18" Flexible Inlets

Product Compliance:

ASME A112.18.1 / CSA B125.1
NSF 61 - Section 9
NSF 372 (Low Lead Content)
ANSI A117.1 (ADA)

equip
Foodservice
Accessories



2 Saddleback Cove, P.O. Box 1088
Travelers Rest, South Carolina 29690
Phone: 800.891.4808 Fax: 800.868.0084
equip.tsbrass.com