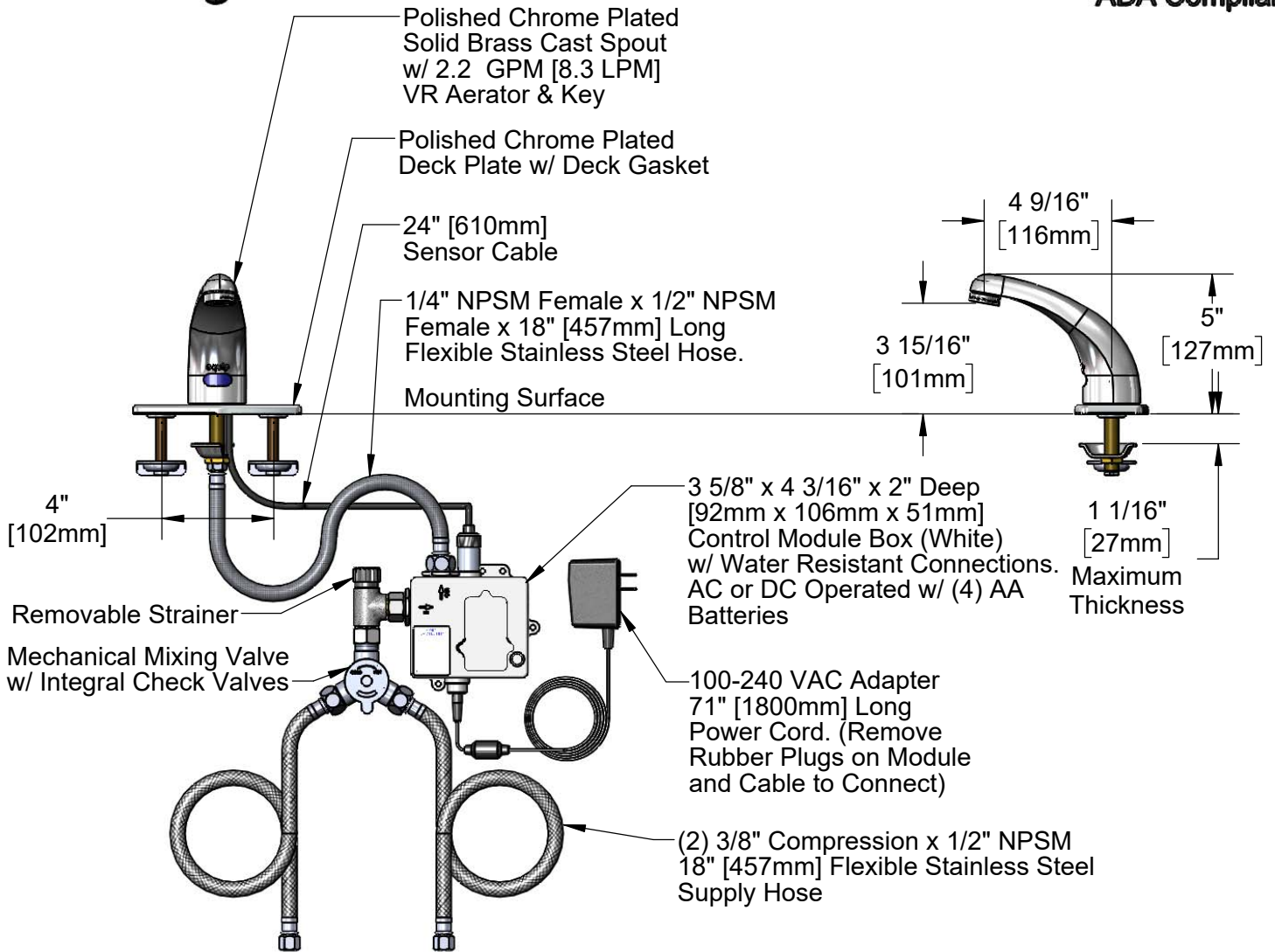


*This Space for Architect/Engineer Approval*

Job Name \_\_\_\_\_ Date \_\_\_\_\_  
 Model Specified \_\_\_\_\_ Quantity \_\_\_\_\_  
 Customer/Wholesaler \_\_\_\_\_  
 Contractor \_\_\_\_\_  
 Architect/Engineer \_\_\_\_\_



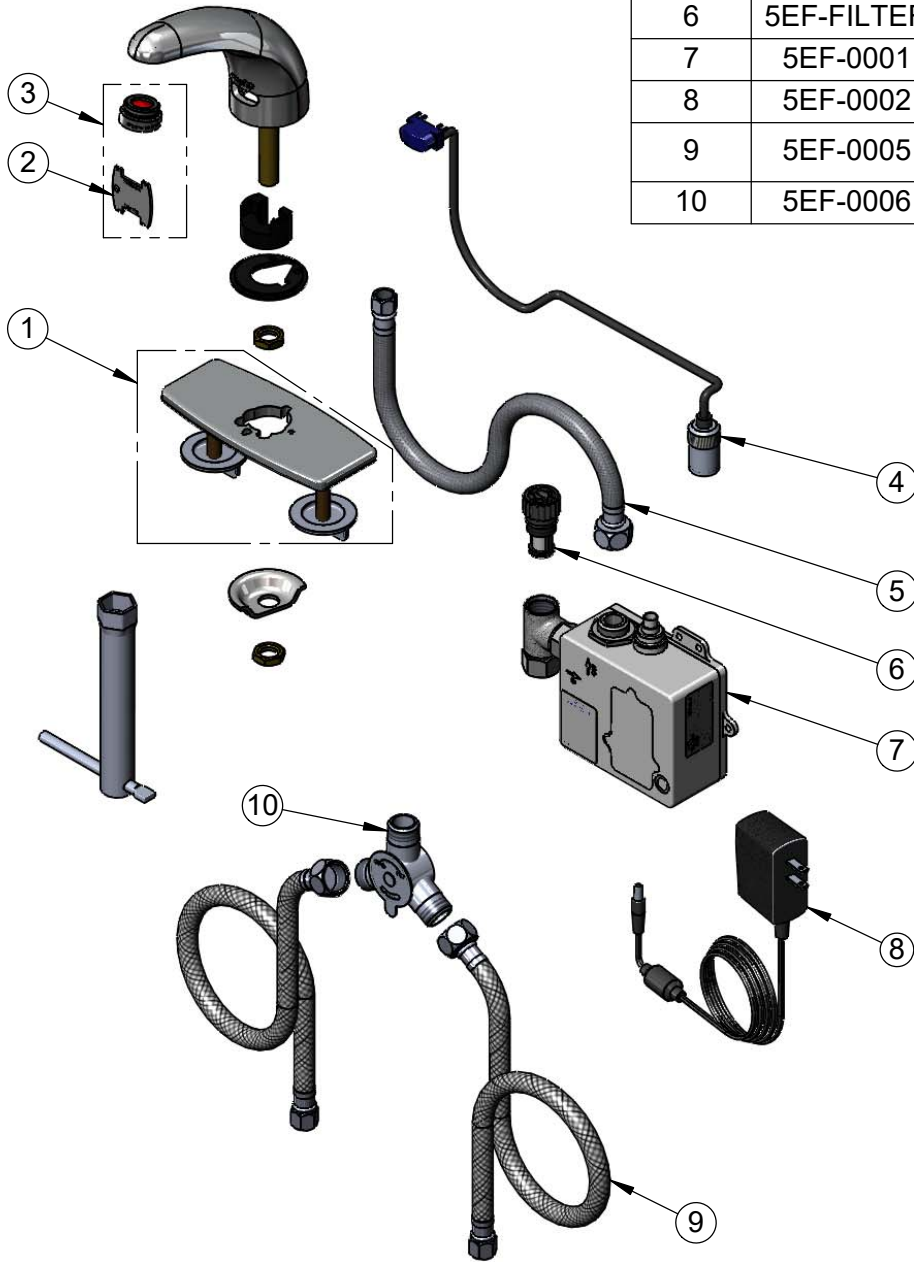
**ADA Compliant**



**Rough-In Requirement:**  
 Ø 1" [25mm] Center Hole  
 (2) Ø 1 1/8" [28mm] Side Holes

Model Number <p style="text-align: center;"><b>5EF-1D-DS-4DP</b></p>	<b>Product Specifications:</b> Electronic Faucet: Cast Brass Single Hole Deck Mount, 4" Deck Plate, Temperature Control Mixing Valve w/ Check Valves, (2) 18" Flexible Supply Hoses & AC-DC Control Module
<b>Product Compliance:</b> ASME A112.18.1 / CSA B125.1 NSF 61 - Section 9 NSF 372 (Low Lead Content) ANSI A117.1 (ADA) UL 1951	<div style="display: flex; justify-content: space-between; align-items: center;"> <div data-bbox="600 1906 738 1980"> <p>equip Foodservice Accessories</p> </div> <div data-bbox="743 1858 1096 2028"> </div> <div data-bbox="1096 1894 1568 1995"> <p>2 Saddleback Cove, P.O. Box 1088          Travelers Rest, South Carolina 29690          Phone: 800.891.4808 Fax: 800.868.0084          equip.tsbrass.com</p> </div> </div>

ITEM NO.	SALES NO.	DESCRIPTION
1	013433-40	4" Universal Deck Plate, Gasket & Mounting Hardware
2	015425-45	Vandal Resistant Key
3	B-0199-09	VR 2.2 GPM Aerator, 15/16-27 Male w/ Key
4	5EF-0004	24" Sensor Cable
5	016297-45	Inlet Hose, Faucet, 1/2" NPSM-F x 1/4" NPSM-F
6	5EF-FILTER	Replacement Filter
7	5EF-0001	equip Sensor Faucet Control Module
8	5EF-0002	equip AC Transformer, 100-240- VAC
9	5EF-0005	Supply Hose, 9/16-24 Female x 1/2" NPSM
10	5EF-0006	Mechanical Mixing Valve



Model Number  
**5EF-1D-DS-4DP**

Product Specifications:  
Electronic Faucet: Cast Brass Single Hole Deck Mount, 4" Deck Plate, Temperature Control Mixing Valve w/ Check Valves, (2) 18" Flexible Supply Hoses & AC-DC Control Module

Product Compliance:  
ASME A112.18.1 / CSA B125.1  
NSF 61 - Section 9  
NSF 372 (Low Lead Content)  
ANSI A117.1 (ADA)  
UL 1951

equip Foodservice Accessories



2 Saddleback Cove, P.O. Box 1088  
Travelers Rest, South Carolina 29690  
Phone: 800.891.4808 Fax: 800.868.0084  
equip.tsbrass.com