



ADA Compliant



This Space for Architect/Engineer Approval

Job Name _____ Date _____

Model Specified _____ Quantity _____

Customer/Wholesaler _____

Contractor _____

Architect/Engineer _____

Ø 2 1/4"
[57mm]
Base

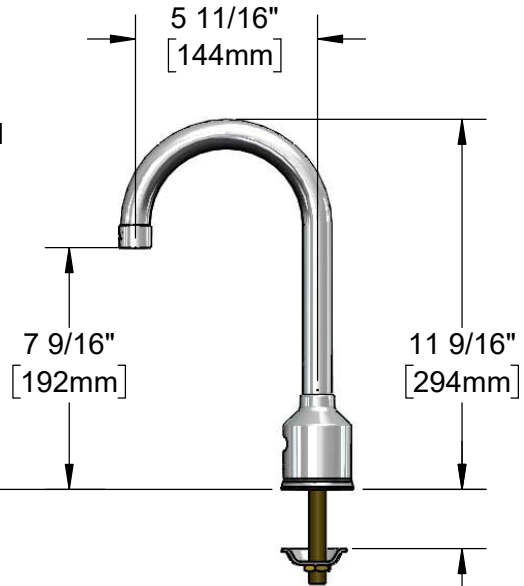
Rigid Gooseneck w/
B-0199-06-WS
1.5 GPM Vandal
Resistant Aerator & Key

24" [610mm]
Sensor Cable

1/4" NPSM Female x 1/2" NPSM
Female x 18" [457mm] Flexible
Stainless Steel Hose

3 5/8" x 4 3/16" x 2"
[92mm x 106mm x 51mm]
Deep Control Module Box
(Black) w/ Water Resistant
Connections. AC or DC
Operated w/ (4) AA Batteries

Mounting Surface



1 7/8"
[47mm]
Maximum
Thickness

Removable
Strainer

Mechanical Mixing Valve
w/ Check Valves

100-240 VAC Adapter
71" [1800mm] Power Cord
(Remove Rubber Plug in
Module to Connect)

(2) 3/8" Compression x 1/2" NPSM
18" [457mm] Flexible Stainless Steel
Supply Hose

Rough-In Requirement:
Ø 1" [25mm] Mounting Hole

Model Number

5EF-1D-DG-WS

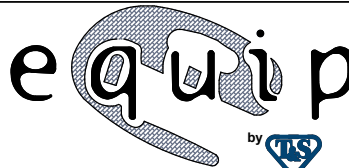
Product Specifications:

Electronic Faucet: Deck Mount, Rigid Gooseneck, VR 1.5 GPM Aerator, AC-DC Control Module, Temperature Control Mixing Valve, Check Valves & (2) 18" Flexible Supply Hoses

Product Compliance:

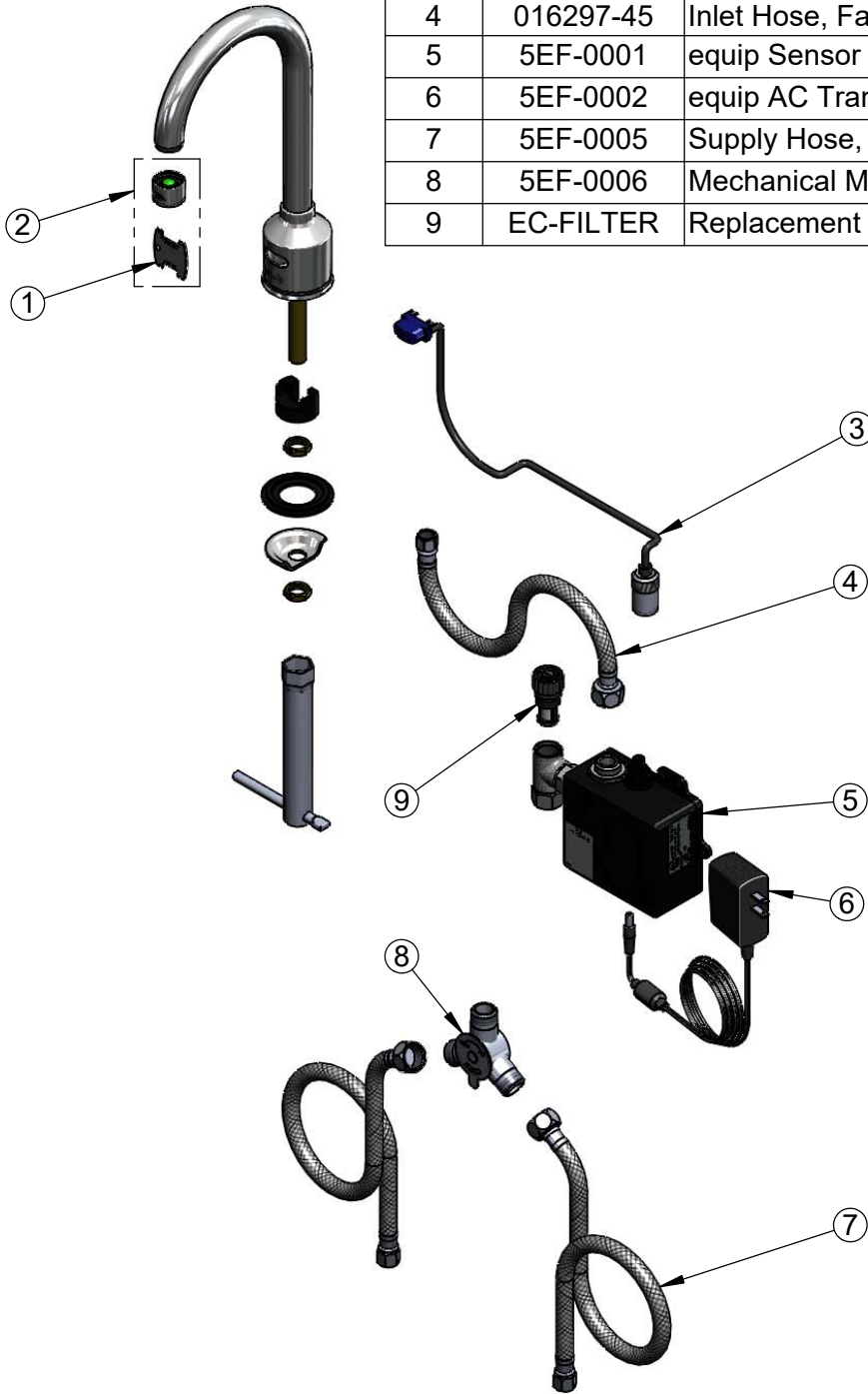
ASME A112.18.1 / CSA B125.1
NSF 61 - Section 9
NSF 372 (Low Lead Content)
ANSI A117.1 (ADA)
UL 1951

equip
Foodservice
Accessories



2 Saddleback Cove, P.O. Box 1088
Travelers Rest, South Carolina 29690
Phone: 800.891.4808 Fax: 800.868.0084
equip.tsbrass.com

ITEM NO.	SALES NO.	DESCRIPTION
1	015425-45	Vandal Resistant Key
2	B-0199-06-WS	VR 1.5 GPM Aerator, 55/64-27 UN Female w/ Key
3	5EF-0004	24" Sensor Cable
4	016297-45	Inlet Hose, Faucet, 1/2" NPSM-F x 1/4" NPSM-F
5	5EF-0001	equip Sensor Faucet - Control Module
6	5EF-0002	equip AC Transformer, 100-240 VAC
7	5EF-0005	Supply Hose, 9/16-24 Female x 1/2" NPSM
8	5EF-0006	Mechanical Mixing Valve
9	EC-FILTER	Replacement Filter



Model Number

5EF-1D-DG-WS

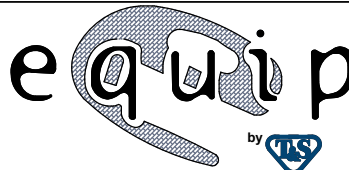
Product Specifications:

Electronic Faucet: Deck Mount, Rigid Gooseneck, VR 1.5 GPM Aerator, AC-DC Control Module, Temperature Control Mixing Valve, Check Valves & (2) 18" Flexible Supply Hoses

Product Compliance:

ASME A112.18.1 / CSA B125.1
NSF 61 - Section 9
NSF 372 (Low Lead Content)
ANSI A117.1 (ADA)
UL 1951

equip
Foodservice
Accessories



2 Saddleback Cove, P.O. Box 1088
Travelers Rest, South Carolina 29690
Phone: 800.891.4808 Fax: 800.868.0084
equip.tsbrass.com