



T&S BRASS AND BRONZE WORKS, INC.
 2 Saddleback Cove / P.O. Box 1088
 Travelers Rest, SC 29690

Model No.
EC-HYDROGEN

Item No.

Travelers Rest, SC: 800-476-4103 • Simi Valley, CA: 800-423-0150 • Fax: 864-834-3518 • www.tsbrass.com

This Space for Architect/Engineer Approval

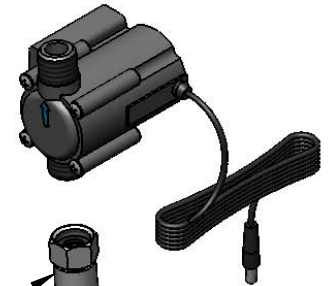
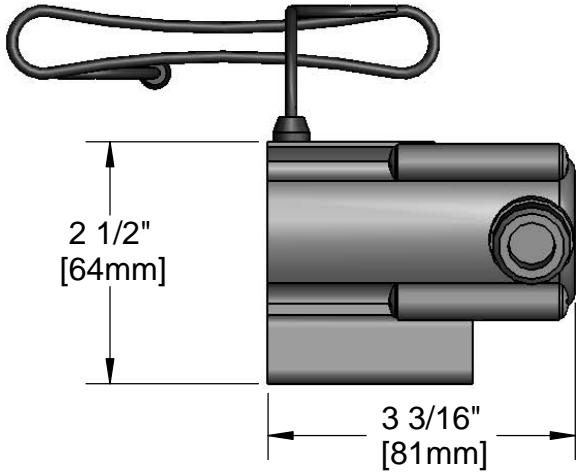
Job Name _____ Date _____

Model Specified _____ Quantity _____

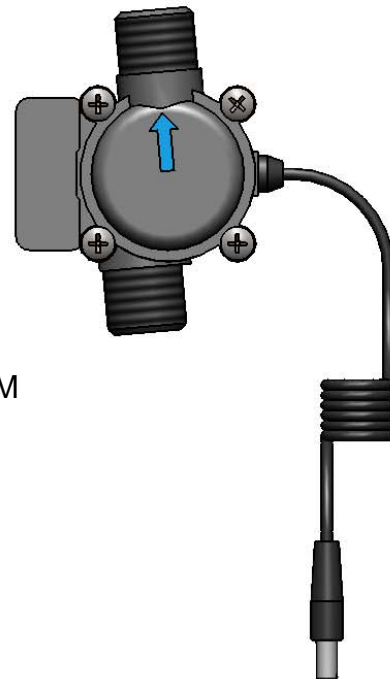
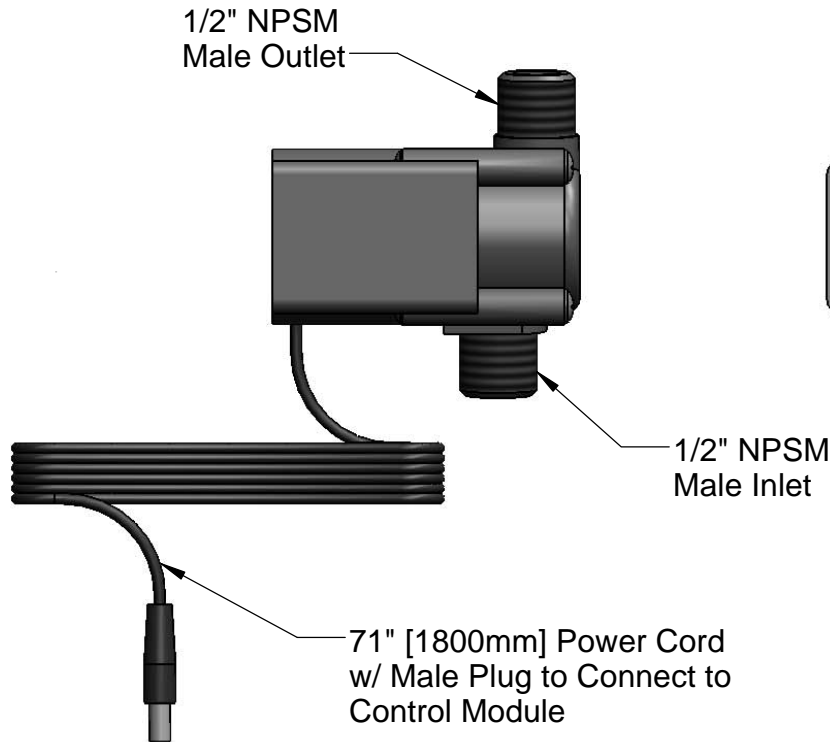
Customer/Wholesaler _____

Contractor _____

Architect/Engineer _____



017506-45
 1/2" NPSM Swivel
 Coupling (Included)



NOTE: Minimum Flow Rate of 1.0 GPM is Required in Applications Using EC-HYDROGEN

Product Specifications:
 Hydro Generator Accessory Package for
 ChekPoint Electronic Sensor Faucet Models

Product Compliance:
 ASME A112.18.1 / CSA B125.1
 NSF 61 - Section 9
 NSF 372 (Low Lead Content)