



T&S BRASS AND BRONZE WORKS, INC.

2 Saddleback Cove / P.O. Box 1088
Travelers Rest, SC 29690

Model No.

EC-3106-VF05

Item No.

Travelers Rest, SC: 800-476-4103 • Simi Valley, CA: 800-423-0150 • Fax: 864-834-3518 • www.tsbrass.com



This Space for Architect/Engineer Approval

Job Name _____ Date _____

Model Specified _____ Quantity _____

Customer/Wholesaler _____

Contractor _____

Architect/Engineer _____

ADA Compliant
(Automatic Electronic
Operation Only)

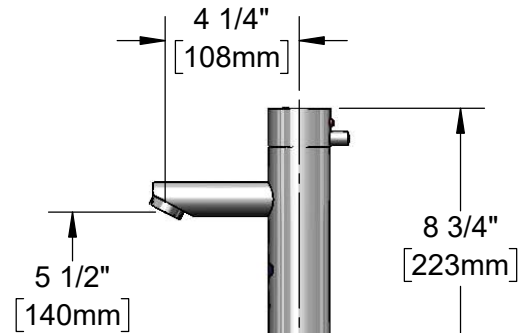
Ø 2 1/4"
[58mm]
Base

1 9/16"
[39mm]

Single Hole Deck Spout w/
Manual Bypass Operation &
B-0199-09-N05
VR 0.5 GPM Non-Aerated
Spray Device

24" [610mm] Flexible Stainless
Steel Connector Hoses. Bypass
has 3/8" NPSM Swivel Module
has 1/2" NPSM Swivel

Mounting Surface



24" [610mm]
Sensor Cable

Removable
Strainer

Temperature Mixing
Valve w/ Check
Valves

3 5/8" x 4 3/16" x 2" Deep
[92mm x 106mm x 51mm]
Water Resistant Control Module
Box (Blue) w/ Internal Flow Control
Setting Switches, AC or DC Operated
w/ (4) AA Batteries. Hardwire Capable
Using Terminals on Back

100-240 VAC Adapter
w/ 71" [1800mm] Power
Cord. (Remove Rubber
Plugs on Module and
Cable to Connect)

(2) 3/8" Compression x 1/2" NPSM
18" [457mm] Flexible Stainless Steel
Supply Hose

Rough-In Requirement:
Ø 1 1/4" [32mm] Mounting Hole

Product Specifications:

Chrome Plated Brass Electronic Faucet:
Single Hole Deck Spout w/ VR 0.5 GPM Non-Aerated Spray Device, Manual
Bypass, AC/DC Control Module w/ Internal Flow Control Setting Switches,
Temperature Control Mixing Valve, 18" Flexible Stainless Steel Supply Hoses

Product Compliance:

ASME A112.18.1 / CSA B125.1
NSF 61 - Section 9
NSF 372 (Low Lead Content)
ANSI A117.1 (ADA)
UL 1951



T&S BRASS AND BRONZE WORKS, INC.

2 Saddleback Cove / P.O. Box 1088
Travelers Rest, SC 29690

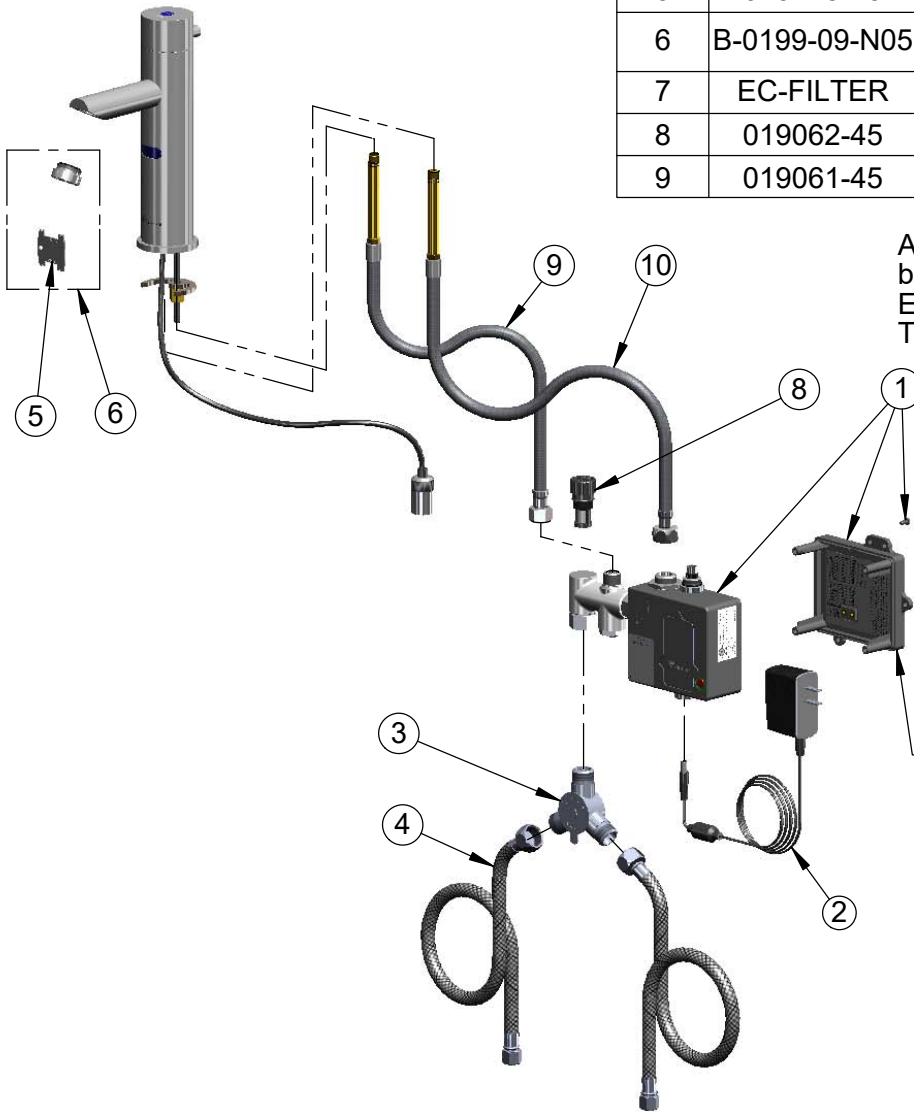
Model No.

EC-3106-VF05

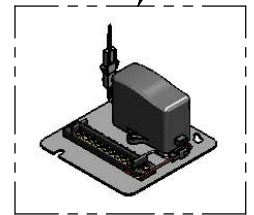
Item No.

Travelers Rest, SC: 800-476-4103 • Simi Valley, CA: 800-423-0150 • Fax: 864-834-3518 • www.tsbrass.com

ITEM NO.	SALES NO.	DESCRIPTION
1	017493-45	ChekPoint Electronic Module (Blue) w/ Bypass Tee
2	5EF-0002	Plug-In A/C Transformer
3	5EF-0006	Mechanical Mixing Valve
4	5EF-0005	Supply Hose, 9/16-24 Female x 1/2" NPSM
5	015425-45	Vandal Resistant Key
6	B-0199-09-N05	VR 0.5 GPM Non-Aerated Spray Device, 15/16-27 UN Male w/ Key
7	EC-FILTER	Replacement Filter
8	019062-45	Connector Hose, M10 Male x 3/8" NPSM
9	019061-45	Connector Hose, M10 Male x 1/2" NPSM



A Maximum of (8) ChekPoint Faucets can be Hardwire Connected and Powered by EC-HARDWIRE ChekPoint Hardwire AC Transformer. (Sold Separately)



Label for Flow Control Switch Settings is Located on Inside of Back Cover.

Flow Control Switches are Located Inside Module Housing in Black Box Next to Battery Compartment.

*Switches are Set to DEFAULT Position:

- Auto Time Out = 15 Seconds
- Shut Off Delay = 1 Second
- Auto Flush = OFF

Remove (4) Screws and Back Cover to Access Switches.

***Available Water Flow Control Selections:**

- Auto Time Out: 15 sec, 30 sec, 45 sec, 60 sec, 3 min, 20 min
- Shut Off Delay: 1 sec, 10 sec, 15 sec, 30 sec
- Auto Flush (30 Seconds After Every 12 Inactive Hours): ON or OFF

Product Specifications:

Chrome Plated Brass Electronic Faucet:
Single Hole Deck Spout w/ VR 0.5 GPM Non-Aerated Spray Device, Manual Bypass, AC/DC Control Module w/ Internal Flow Control Setting Switches, Temperature Control Mixing Valve, 18" Flexible Stainless Steel Supply Hoses

Product Compliance:

ASME A112.18.1 / CSA B125.1
NSF 61 - Section 9
NSF 372 (Low Lead Content)
ANSI A117.1 (ADA)
UL 1951