



T&S BRASS AND BRONZE WORKS, INC.

2 Saddleback Cove / P.O. Box 1088
Travelers Rest, SC 29690

Model No.

EC-3101-HG

Item No.

Travelers Rest, SC: 800-476-4103 • Simi Valley, CA: 800-423-0150 • Fax: 864-834-3518 • www.tsbrass.com



ADA Compliant



This Space for Architect/Engineer Approval

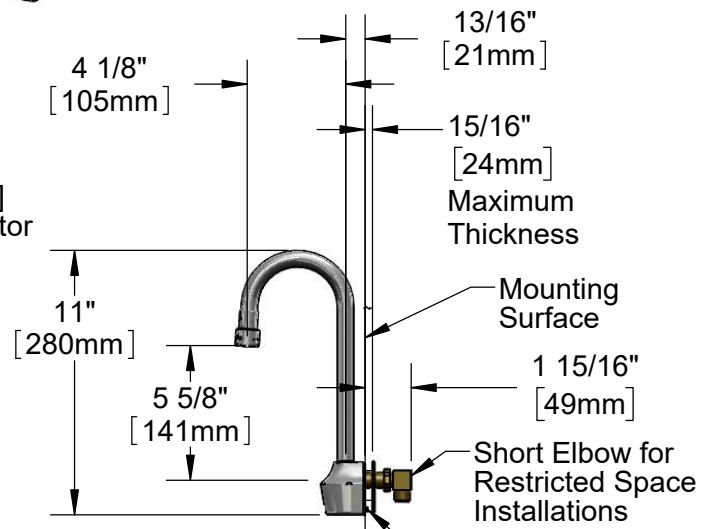
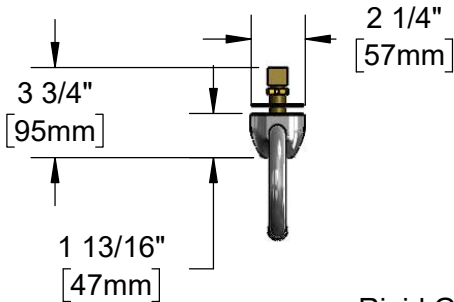
Job Name _____ Date _____

Model Specified _____ Quantity _____

Customer/Wholesaler _____

Contractor _____

Architect/Engineer _____



Rigid Gooseneck
w/ 2.2 GPM [8.3 L/min]
Vandal Resistant Aerator

1/2" NPSM x 3/8" NPSM
30" [762mm] Flexible
Stainless Steel Hose

24" [610mm]
Sensor Cable

Removable
Strainer

Hydro-Generator
Power Supply.
No AA Batteries
Needed to Supply
Power to Faucet.

3 5/8" x 4 3/16" x 2" Deep
[92mm x 106mm x 51mm]
Water Resistant Control Module Box (Grey)
w/ Internal Flow Control Setting Switches
AC or DC Operated w/ (4) AA Batteries
if Hydro-Generator is Not Used. Hardwire
Capable Using Terminals on Back

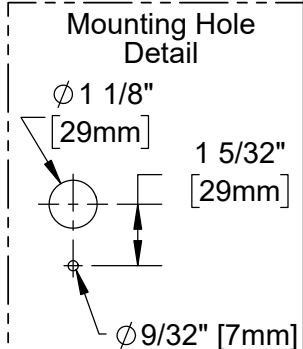
Temperature
Mixing Valve w/
Check Valves

Optional 100-240 VAC
Adapter w/ 71" [1800mm]
Power Cord. (Remove Rubber
Plugs on Module and Cable to
Connect)

(2) 3/8" Compression x 1/2" NPSM
18" [457mm] Flexible Stainless Steel
Supply Hose

Mounting
Surface

Unscrew Set
Screw in Body
to Desired Height
for Anti-rotation
Feature.
(See Mounting
Hole Detail)



Product Specifications:
Chrome Plated Brass Electronic Faucet: Wall Mount Rigid Gooseneck
w/ 2.2 GPM VR Aerator, AC/DC Control Module w/ Internal Flow Cont.
Setting Switches, Temperature Control Mixing Valve w/ Check Valves,
Hydro-Generator, 18" Hot & Cold Supply Stop Flexible Connector Hoses

Product Compliance:
ASME A112.18.1 / CSA B125.1
NSF 61 - Section 9
NSF 372 (Low Lead Content)
ANSI A117.1 (ADA)
UL 1951



T&S BRASS AND BRONZE WORKS, INC.

2 Saddleback Cove / P.O. Box 1088
Travelers Rest, SC 29690

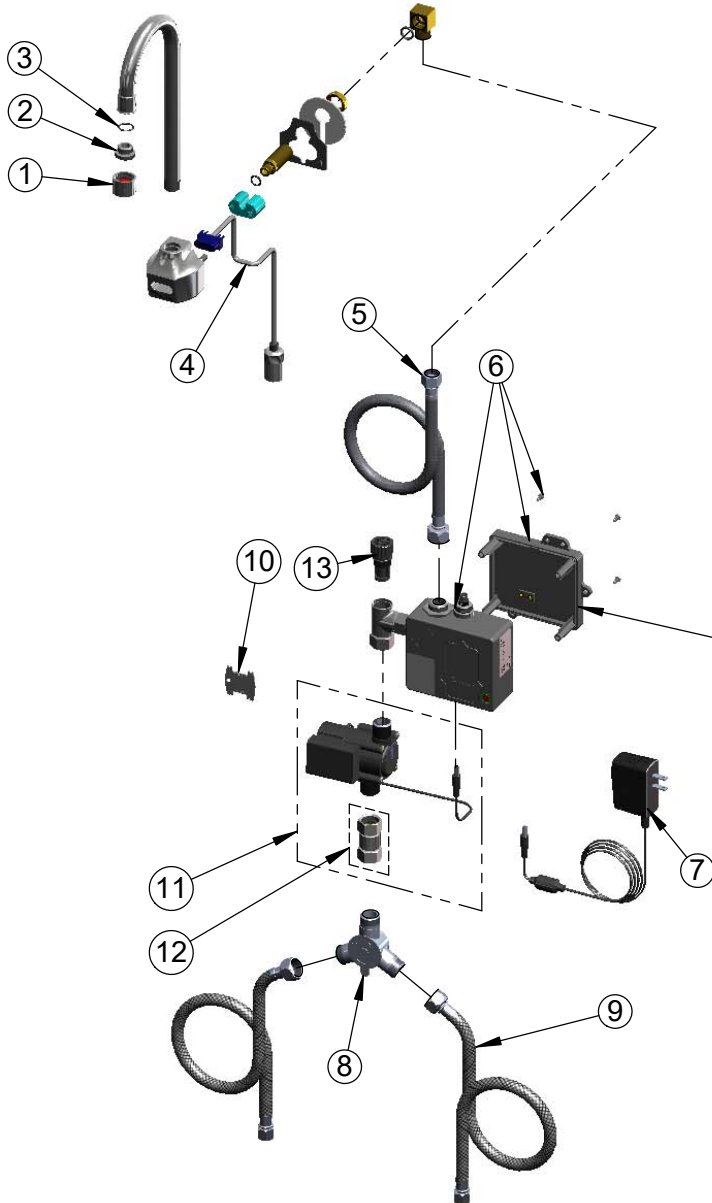
Model No.

EC-3101-HG

Item No.

Travelers Rest, SC: 800-476-4103 • Simi Valley, CA: 800-423-0150 • Fax: 864-834-3518 • www.tsbrass.com

ITEM NO.	SALES NO.	DESCRIPTION
1	B-0199-06	VR 2.2 GPM Aerator, 55/64-27 Female
2	044A	3/8" to Aerator Adapter
3	006575-45	O-Ring
4	017195-45	Sensor Cable
5	016325-45	Flex Connector, 3/8 NPSM x 1/2 NPSM
6	016647-45	ChekPoint Module (Grey)
7	5EF-0002	Plug-in AC Transformer
8	5EF-0006	Mechanical Mixing Valve
9	5EF-0005	Supply Hose, 9/16-24 Female x 1/2" NPSM
10	015425-45	Vandal Resistant Key
11	EC-HYDROGEN	Hydro-Generator and Swivel Coupling
12	017506-45	1/2" NPSM Swivel Coupling
13	EC-FILTER	Replacement Filter



Label for Flow Control Switch Settings is Located on Inside of Back Cover.

Flow Control Switches are Located Inside Module Housing in Black Box Next to Battery Compartment.
*Switches are Set to DEFAULT Position:
- Auto Time Out = 15 Seconds
- Shut Off Delay = 1 Second
- Auto Flush = OFF

Remove (4) Screws and Back Cover to Access Switches.

***Available Water Flow Control Selections:**

- Auto Time Out: 15 sec, 30 sec, 45 sec, 60 sec, 3 min, 20 min
- Shut Off Delay: 1 sec, 10 sec, 15 sec, 30 sec
- Auto Flush (30 Seconds After Every 12 Inactive Hours): ON or OFF

Product Specifications:

Chrome Plated Brass Electronic Faucet: Wall Mount Rigid Gooseneck w/ 2.2 GPM VR Aerator, AC/DC Control Module w/ Internal Flow Cont. Setting Switches, Temperature Control Mixing Valve w/ Check Valves, Hydro-Generator, 18" Hot & Cold Supply Stop Flexible Connector Hoses

Product Compliance:

ASME A112.18.1 / CSA B125.1
NSF 61 - Section 9
NSF 372 (Low Lead Content)
ANSI A117.1 (ADA)
UL 1951