



T&S BRASS AND BRONZE WORKS, INC.
 2 Saddleback Cove / P.O. Box 1088
 Travelers Rest, SC 29690

Model No.
EB-0107-J-HM12

Item No.

Travelers Rest, SC: 800-476-4103 • Simi Valley, CA: 800-423-0150 • Fax: 864-834-3518 • www.tsbrass.com

This Space for Architect/Engineer Approval

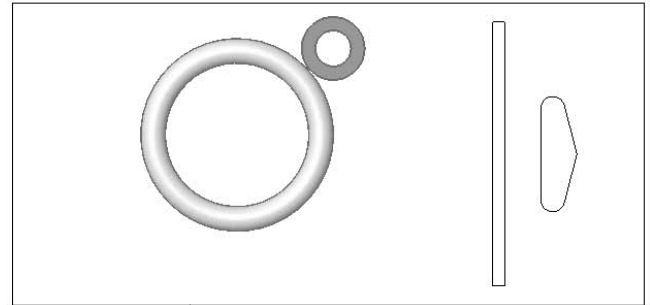
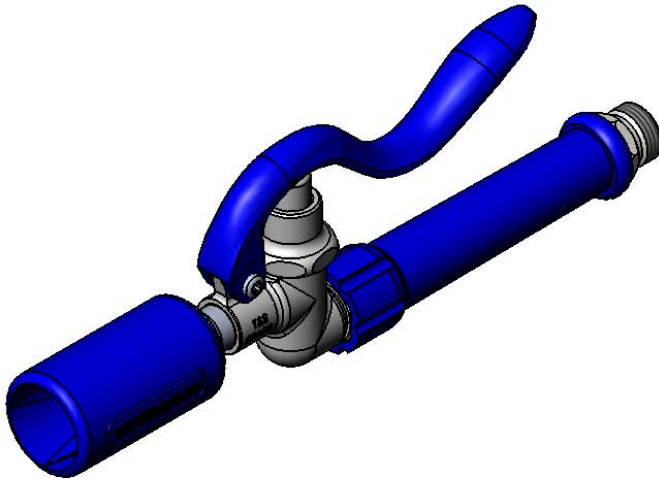
Job Name _____ Date _____

Model Specified _____ Quantity _____

Customer/Wholesaler _____

Contractor _____

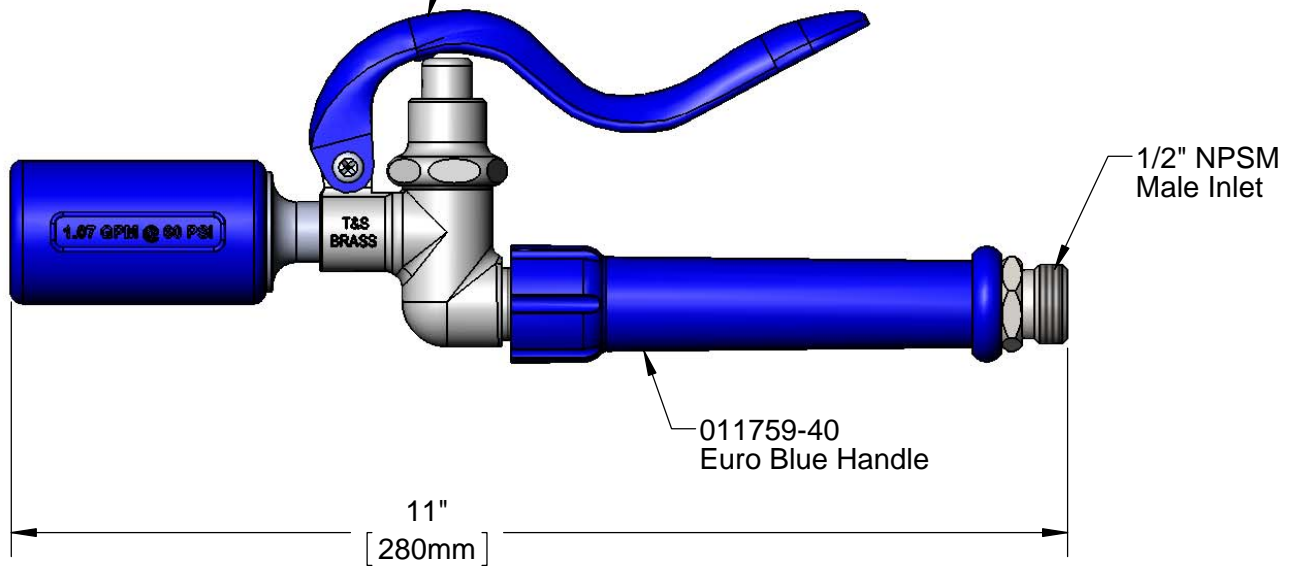
Architect/Engineer _____



Hose Washer & Hold Down Ring (Included)



EB-0107-J
 1.07 GPM Low Flow Spray Valve



Product Specifications:
 Pre-Rinse Unit Accessory:
 Blue 1.07 GPM Low Flow Spray Valve & Euro Blue Handle w/ 1/2" NPSM Male Inlet

Product Compliance:
 ASME A112.18.1 / CSA B125.1
 NSF 61 - Section 9
 NSF 372 (Low Lead Content)
 EPA Act 2005 (PRSV)
 EPA WaterSense (PRSV)



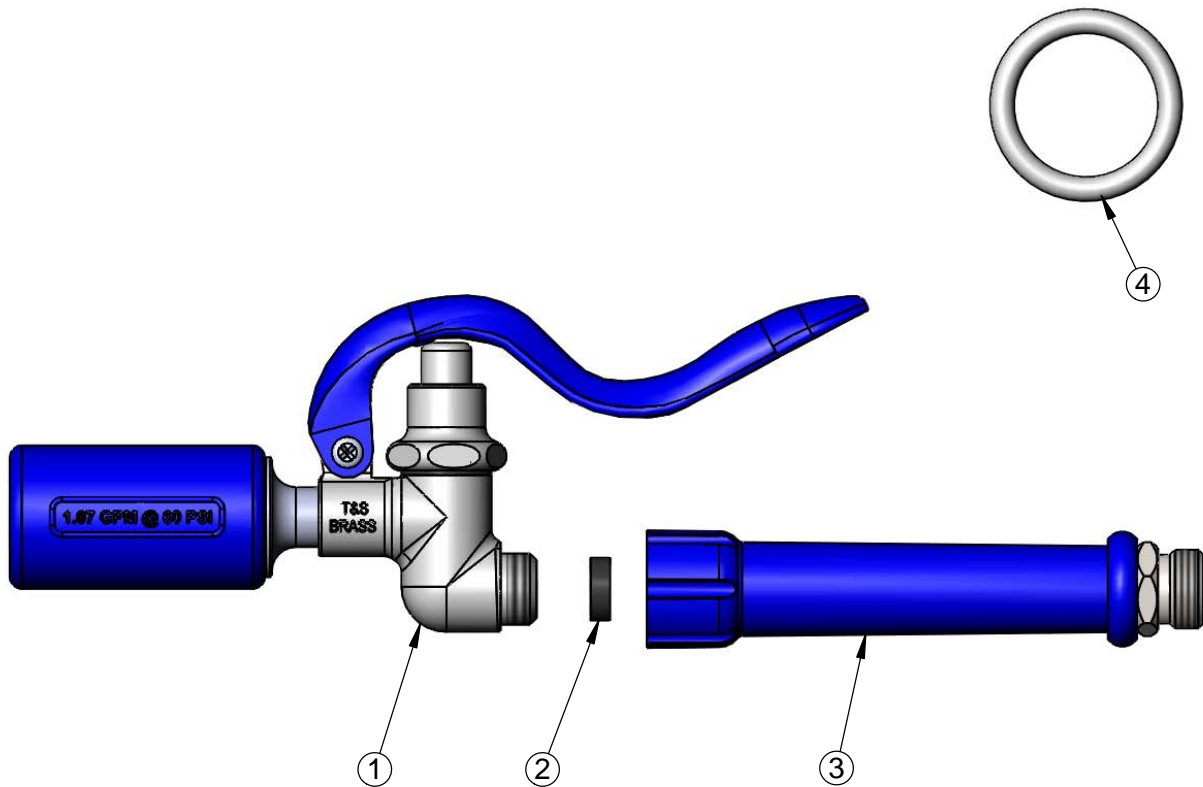
T&S BRASS AND BRONZE WORKS, INC.
 2 Saddleback Cove / P.O. Box 1088
 Travelers Rest, SC 29690

Model No.
EB-0107-J-HM12

Item No.

Travelers Rest, SC: 800-476-4103 • Simi Valley, CA: 800-423-0150 • Fax: 864-834-3518 • www.tsbrass.com

| ITEM NO. | SALES NO. | DESCRIPTION |
|----------|-----------|-----------------------------|
| 1 | EB-0107-J | 1.07 GPM Spray Valve (Blue) |
| 2 | 010476-45 | #27 Washer |
| 3 | 011759-40 | Euro Grip Handle (Blue) |
| 4 | 000907-45 | Spray Valve Hold Down Ring |



Product Specifications:
 Pre-Rinse Unit Accessory:
 Blue 1.07 GPM Low Flow Spray Valve & Euro Blue Handle w/ 1/2" NPSM
 Male Inlet

Product Compliance:
 ASME A112.18.1 / CSA B125.1
 NSF 61 - Section 9
 NSF 372 (Low Lead Content)
 EPA Act 2005 (PRSV)
 EPA WaterSense (PRSV)