



T&S BRASS AND BRONZE WORKS, INC.

2 Saddleback Cove / P.O. Box 1088
Travelers Rest, SC 29690

Model No.

BP-0300-CR4XP22

Item No.

Travelers Rest, SC: 800-476-4103 • Simi Valley, CA: 800-423-0150 • Fax: 864-834-3518 • www.tsbrass.com



ADA Compliant

This Space for Architect/Engineer Approval

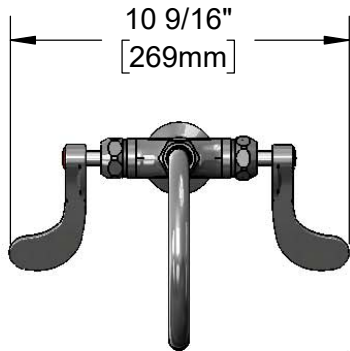
Job Name _____ Date _____

Model Specified _____ Quantity _____

Customer/Wholesaler _____

Contractor _____

Architect/Engineer _____



10 9/16"
[269mm]

133XP-F22 Swivel Gooseneck w/ Plain End Outlet & 2.2 GPM Flow Control. Rigid Conversion Requires 014200-45 Lock Washer (Included)

Quarter-Turn Cerama Cartridges w/ Check Valves & Wrist Action Handles w/ Color Coded Indexes & VR Screws

2 5/16"
[58mm]

Mounting Surface

5 11/16"
[144mm]

9 1/2"
[241mm]

13 1/2"
[343mm]

Ø 2 1/4" [57mm]
Deck Flange

Ø 1 1/8"
[29mm]

1 3/8"
[35mm]
Maximum Thickness

(2) 19" Flexible Stainless Steel Supply Hoses w/ 3/8" Female Compression Fittings

Rough-In Requirement:
Ø 1 1/2" [38mm] Mounting Hole

Product Specifications:

Single Hole Deck Mount Mixing Faucet, Quarter-Turn Cerama Cartridges w/ Check Valves, 4" Wrist Action Handles, 5 11/16" Swivel/Rigid Gooseneck w/ Plain End Outlet, 2.2 GPM Flow Control Device, VR Screws & 19" Flexible Stainless Steel Supply Hoses w/ 3/8" Female Compression Fittings

Product Compliance:

ASME A112.18.1 / CSA B125.1
NSF 61 - Section 9
NSF 372 (Low Lead Content)
ANSI A117.1 (ADA)



T&S BRASS AND BRONZE WORKS, INC.

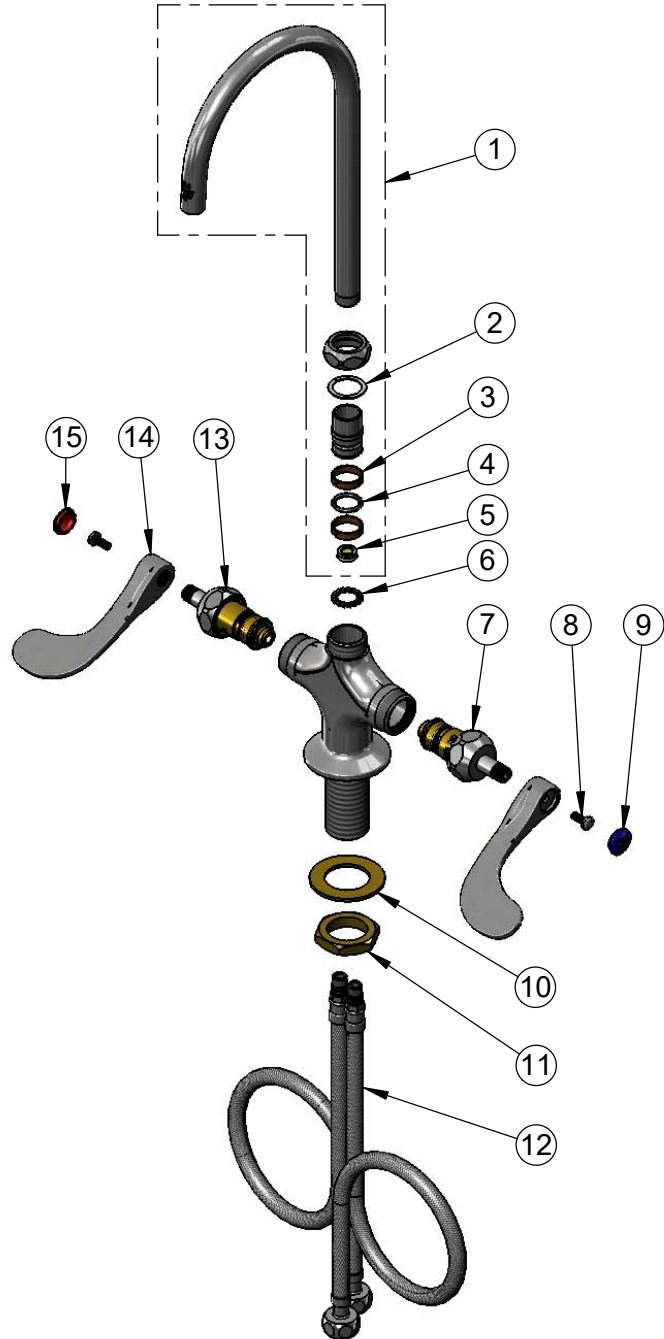
2 Saddleback Cove / P.O. Box 1088
Travelers Rest, SC 29690

Model No.

BP-0300-CR4XP22

Item No.

Travelers Rest, SC: 800-476-4103 • Simi Valley, CA: 800-423-0150 • Fax: 864-834-3518 • www.tsbrass.com



ITEM NO.	SALES NO.	DESCRIPTION
1	133XP-F22	6" Swivel Gooseneck w/ 2.2 GPM Flow Control Device
2	009538-45	Swivel Washer
3	011429-45	Swivel Sleeves (2)
4	001074-45	O-Ring
5	FD22	Flow Disc, 2.2 GPM [8.3 L/min.] - Yellow
6	014200-45	Star Washer, Anti-Rotation
7	012395-25NS	Quarter-Turn Cerama Cartridge w/ Check Valve, LTC
8	VRS-2	VR Wrist Action Handle Screw (2) w/ Spanner Bit
9	018506-19NS	Blue Button Index, Press-in
10	002290-45	Lock Washer
11	000965-45	Lock Nut
12	019969-45	19" Flexible Supply Hose (2)
13	012394-25NS	Quarter-Turn Cerama Cartridge w/ Check Valve, RTC
14	B-WH4-NS	Wrist Action Handle (New Style)
15	001193-19NS	Red Button Index, Press-in



014075-45
#10 Spanner Bit

Product Specifications:

Single Hole Deck Mount Mixing Faucet, Quarter-Turn Cerama Cartridges w/ Check Valves, 4" Wrist Action Handles, 5 11/16" Swivel/Rigid Gooseneck w/ Plain End Outlet, 2.2 GPM Flow Control Device, VR Screws & 19" Flexible Stainless Steel Supply Hoses w/ 3/8" Female Compression Fittings

Product Compliance:

ASME A112.18.1 / CSA B125.1
NSF 61 - Section 9
NSF 372 (Low Lead Content)
ANSI A117.1 (ADA)