



T&S BRASS AND BRONZE WORKS, INC.
 2 Saddleback Cove / P.O. Box 1088
 Travelers Rest, SC 29690

Model No.
BL-5715-10

Item No.

Travelers Rest, SC: 800-476-4103 • Simi Valley, CA: 800-423-0150 • Fax: 864-834-3518 • www.tsbrass.com



ADA Compliant

This Space for Architect/Engineer Approval

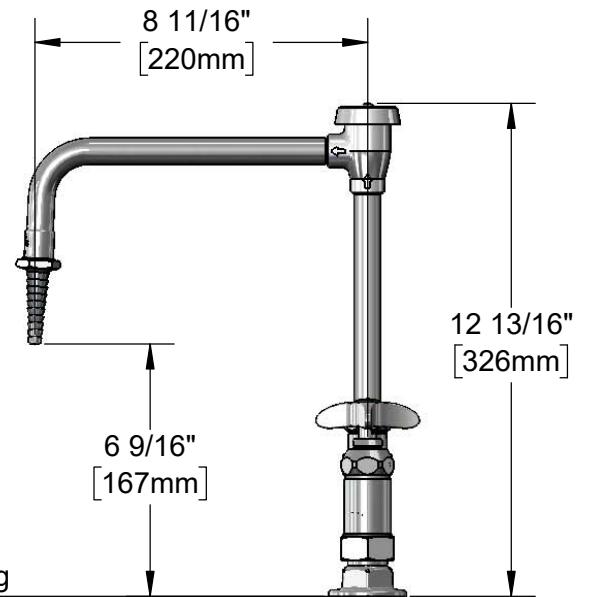
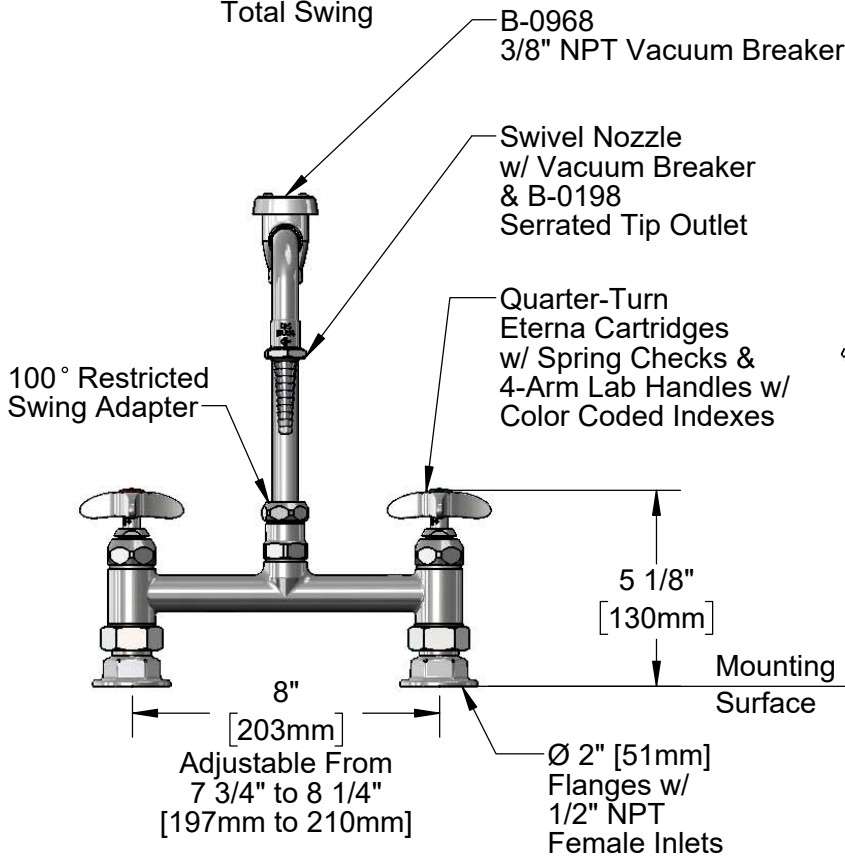
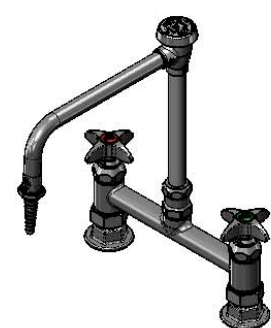
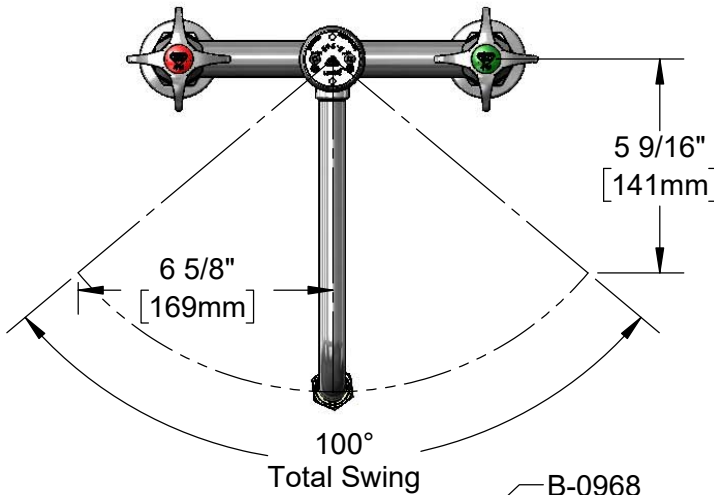
Job Name _____ Date _____

Model Specified _____ Quantity _____

Customer/Wholesaler _____

Contractor _____

Architect/Engineer _____



Product Specifications:
 8" Deck Mount Laboratory Mixing Faucet, Quarter-Turn Eterna Cartridges,
 4-Arm Lab Handles, Swivel Vacuum Breaker Nozzle, Serrated Tip Outlet,
 Restricted Swing Adapter & 1/2" NPT Female Inlets

Product Compliance:
 ASME A112.18.1 / CSA B125.1
 NSF 61 - Section 9
 NSF 372 (Low Lead Content)
 ANSI A117.1 (ADA)
 ASSE 1001 (VB)

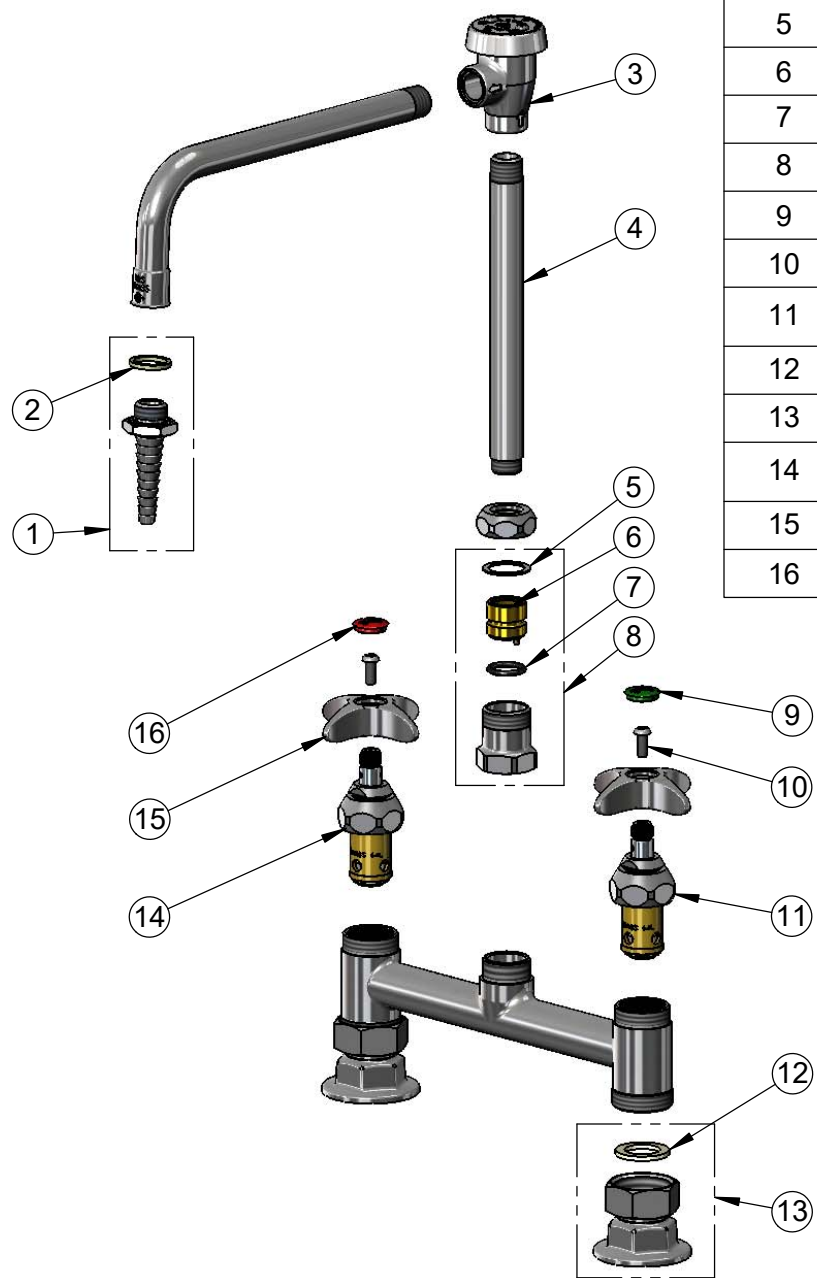


T&S BRASS AND BRONZE WORKS, INC.
 2 Saddleback Cove / P.O. Box 1088
 Travelers Rest, SC 29690

Model No.
BL-5715-10
 Item No.

Travelers Rest, SC: 800-476-4103 • Simi Valley, CA: 800-423-0150 • Fax: 864-834-3518 • www.tsbrass.com

| ITEM NO. | SALES NO. | DESCRIPTION |
|----------|-------------|----------------------------------------------------|
| 1 | B-0198 | Serrated Tip w/ Washer |
| 2 | 001051-45 | Washer |
| 3 | B-0968 | 3/8" NPT Vacuum Breaker |
| 4 | 012749-40 | Nipple 3/8" NPT x 5/8-27UNS |
| 5 | 009538-45 | Swivel Washer |
| 6 | 000846-16 | Swivel Piece |
| 7 | 001074-45 | O-Ring |
| 8 | BL-5550-31 | Restricted Swing Adapter |
| 9 | 001191-45NS | Green "CW" Lab Button Index |
| 10 | 000925-45 | Lab Handle Screw |
| 11 | 012442-40NS | Quarter-Turn Eterna Cartridge w/ Spring Check, LTC |
| 12 | 001019-45 | Coupling Nut Washer |
| 13 | 00AA | 1/2" NPT Female Eccentric Flange |
| 14 | 012443-40NS | Quarter-Turn Eterna Cartridge, RTC w/ Spring Check |
| 15 | 002521-45NS | 4-Arm Handle (New Style) |
| 16 | 019736-45 | Red "HW" Lab Button Index |



Product Specifications:
 8" Deck Mount Laboratory Mixing Faucet, Quarter-Turn Eterna Cartridges, 4-Arm Lab Handles, Swivel Vacuum Breaker Nozzle, Serrated Tip Outlet, Restricted Swing Adapter & 1/2" NPT Female Inlets

Product Compliance:
 ASME A112.18.1 / CSA B125.1
 NSF 61 - Section 9
 NSF 372 (Low Lead Content)
 ANSI A117.1 (ADA)
 ASSE 1001 (VB)