



# T&S BRASS AND BRONZE WORKS, INC.

2 Saddleback Cove / P.O. Box 1088  
Travelers Rest, SC 29690

Model No.

**BL-4270-02**

Item No.

Travelers Rest, SC: 800-476-4103 • Simi Valley, CA: 800-423-0150 • Fax: 864-834-3518 • www.tsbrass.com

This Space for Architect/Engineer Approval

Job Name \_\_\_\_\_ Date \_\_\_\_\_

Model Specified \_\_\_\_\_ Quantity \_\_\_\_\_

Customer/Wholesaler \_\_\_\_\_

Contractor \_\_\_\_\_

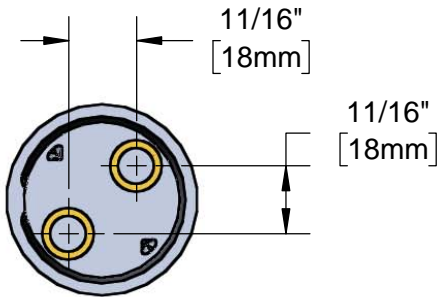
Architect/Engineer \_\_\_\_\_



**ADA Compliant**

### NOTES:

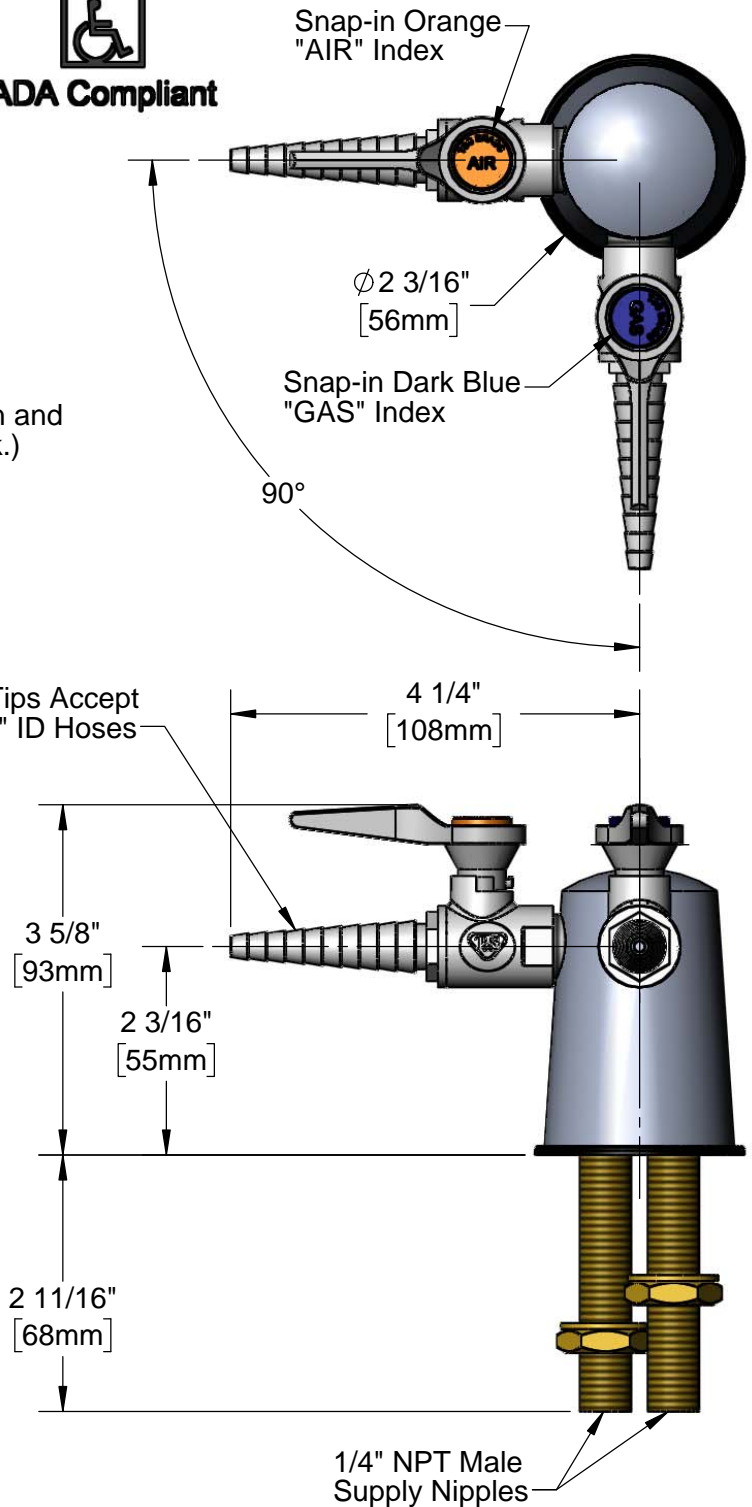
1. Natural Gas Pressure: 0.5 PSIG Max.  
(For Natural Gas above 0.5 PSIG or Oxygen and Specialty Gases, use BL-4010-01 Gas Cock.)
2. Air Pressure: 125 PSIG Max.
3. Vacuum: 30 inches of Mercury Max.



Bottom View of Turret  
(Less Gasket)

Rough-In Requirement:  
(2) 1/2" [13mm] Mounting Holes

Serrated Tips Accept  
1/4" to 3/8" ID Hoses



### Product Specifications:

Laboratory Turret: (2) Ball Valve Hose Cocks at 90° w/  
(1) Gas Outlet, (1) Air Outlet and 1/4" NPT Supply Nipples

### Product Compliance:

ANSI Z21.15a / CSA 9.1a (Gas Valves)  
ANSI A117.1 (ADA)



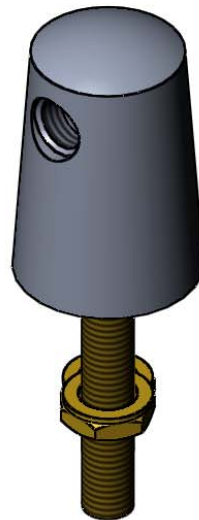
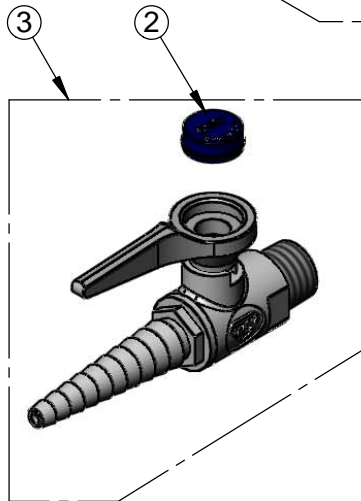
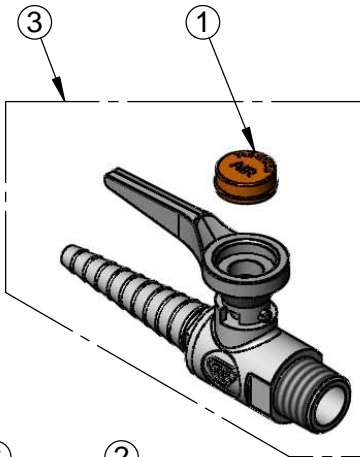
**T&S BRASS AND BRONZE WORKS, INC.**  
 2 Saddleback Cove / P.O. Box 1088  
 Travelers Rest, SC 29690

Model No.  
**BL-4270-02**

Item No.

Travelers Rest, SC: 800-476-4103 • Simi Valley, CA: 800-423-0150 • Fax: 864-834-3518 • www.tsbrass.com

ITEM NO.	SALES NO.	DESCRIPTION
1	209L-AIR	Orange AIR Snap-In Index
2	209L-GAS	Dark Blue GAS Snap-In Index
3	BL-4000-01	Ball Valve Hose Cock w/ GAS, AIR & VAC Indexes
4	144L	Black Plastic Gasket



**Product Specifications:**

Laboratory Turret: (2) Ball Valve Hose Cocks at 90° w/  
 (1) Gas Outlet, (1) Air Outlet and 1/4" NPT Supply Nipples

**Product Compliance:**

ANSI Z21.15a / CSA 9.1a (Gas Valves)  
 ANSI A117.1 (ADA)