



**T&S BRASS AND BRONZE WORKS, INC.**  
 2 Saddleback Cove / P.O. Box 1088  
 Travelers Rest, SC 29690

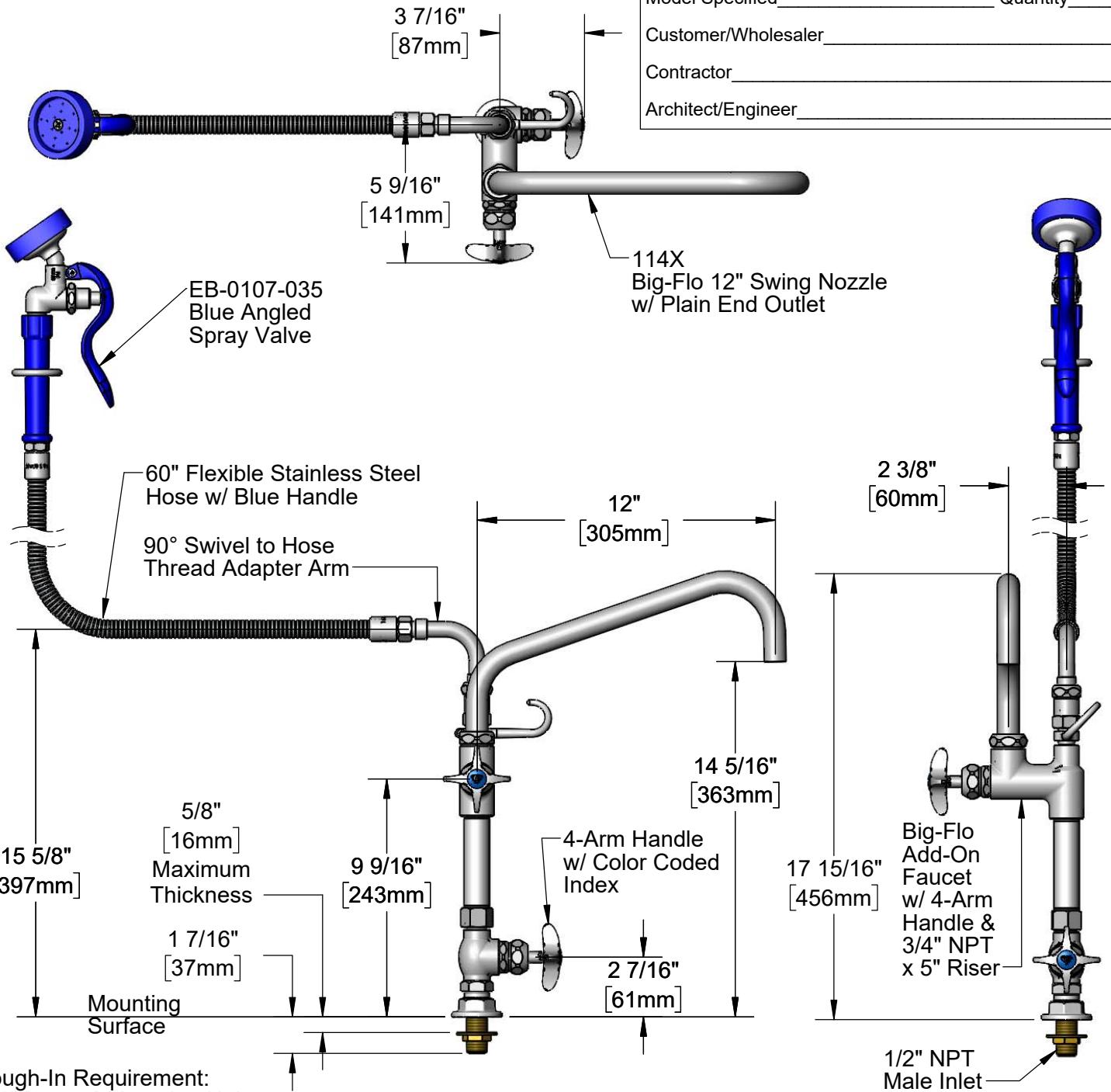
Model No.  
**BF-0176**

Item No.

Travelers Rest, SC: 800-476-4103 • Simi Valley, CA: 800-423-0150 • Fax: 864-834-3518 • www.tsbrass.com

This Space for Architect/Engineer Approval

Job Name \_\_\_\_\_ Date \_\_\_\_\_  
 Model Specified \_\_\_\_\_ Quantity \_\_\_\_\_  
 Customer/Wholesaler \_\_\_\_\_  
 Contractor \_\_\_\_\_  
 Architect/Engineer \_\_\_\_\_



Rough-In Requirement:  
 Ø 1" [25mm] Mounting Hole

Product Specifications:  
 Big-Flo Single Hole Deck Mount Faucet, Big-Flo Cartridge, 4-Arm Handle, Big-Flo Add-On Faucet, 12" Big-Flo Swing Nozzle, 90° Swivel Adapter, 60" Flexible Stainless Steel Hose, Blue Angled Spray Valve & 1/2" NPT Male Inlet

Product Compliance:  
 ASME A112.18.1 / CSA B125.1  
 NSF 61 - Section 9  
 NSF 372 (Low Lead Content)  
 2019 DOE PRSV Non-Compliant



# T&S BRASS AND BRONZE WORKS, INC.

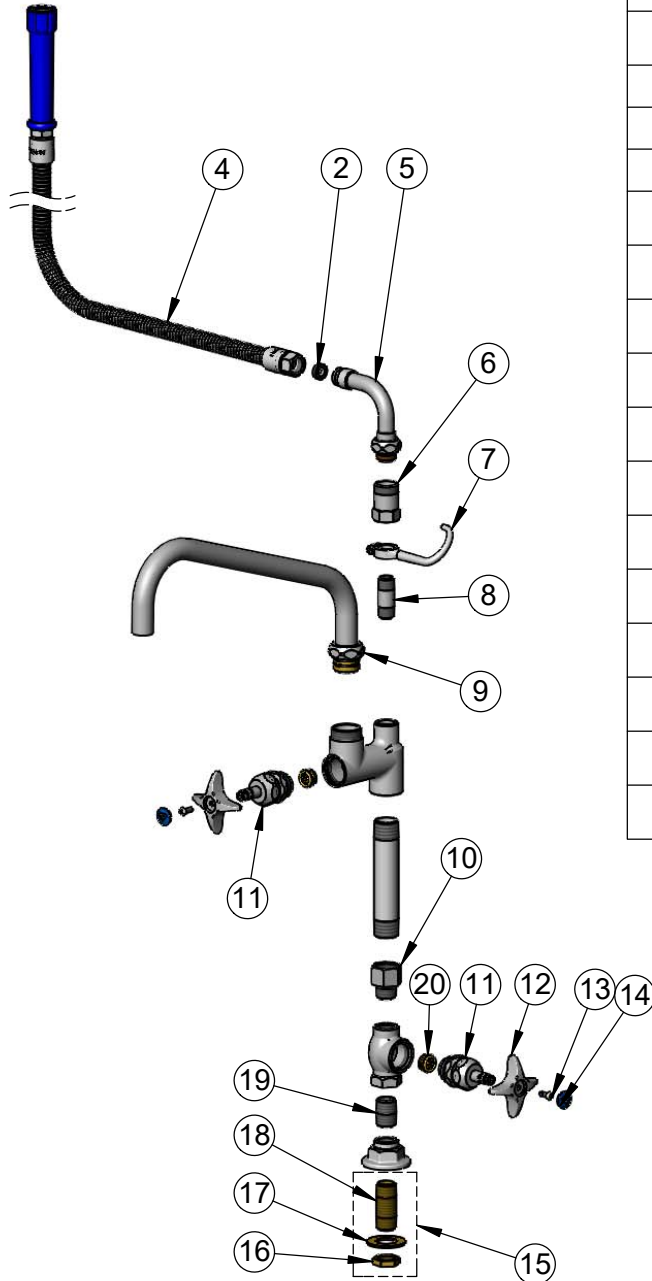
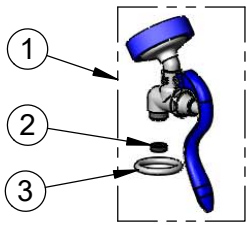
2 Saddleback Cove / P.O. Box 1088  
Travelers Rest, SC 29690

Model No.

**BF-0176**

Item No.

Travelers Rest, SC: 800-476-4103 • Simi Valley, CA: 800-423-0150 • Fax: 864-834-3518 • www.tsbrass.com



ITEM NO.	SALES NO.	DESCRIPTION
1	EB-0107-035	EB-0107-035 Spray Valve Asm
2	010476-45	#27 Washer
3	000907-45	Spray Valve Hold Down Ring
4	EB-0060-H	60" Flexible Stainless Steel Hose w/ Blue Handle
5	034A	Swivel Adapter Arm
6	054X	Swivel Body
7	004R	Finger Hook
8	000356-40	Nipple, 3/8" NPT x 1-3/4"
9	114X	Big-Flo 12" Swing Nozzle w/ Plain End Outlet
10	006112-25	Adapter, 3/4 NPT Female x 1/2 NPT Male
11	006482-40NS	Big-Flo Cartridge, RTC
12	002521-45NS	4-Arm Handle (New Style)
13	000925-45	Lab Handle Screw
14	018506-19NS	Blue Button Index, Press-in
15	B-0425	1/2" NPT Supply Nipple Kit
16	002954-45	Shank Lock Nut
17	000999-45	Brass Lock Washer
18	000422-20	
19	002534-25	Close Nipple, 1/2" NPT
20	000764-20	Seat, Big-Flo

**Product Specifications:**

Big-Flo Single Hole Deck Mount Faucet, Big-Flo Cartridge, 4-Arm Handle, Big-Flo Add-On Faucet, 12" Big-Flo Swing Nozzle, 90° Swivel Adapter, 60" Flexible Stainless Steel Hose, Blue Angled Spray Valve & 1/2" NPT Male Inlet

**Product Compliance:**

ASME A112.18.1 / CSA B125.1  
NSF 61 - Section 9  
NSF 372 (Low Lead Content)  
2019 DOE PRSV Non-Compliant