



T&S BRASS AND BRONZE WORKS, INC.
 2 SADDLEBACK COVE / P.O. BOX 1088 / TRAVELERS REST, SC 29690
 PHONE 800-476-4103 - FAX 864- 834-3518



REG.#A2601
 ISO #9001

Sales No.

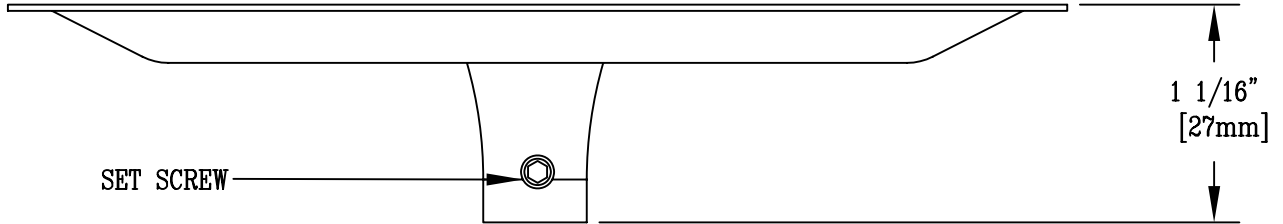
B-SD

RELIABILITY
 BUILT IN

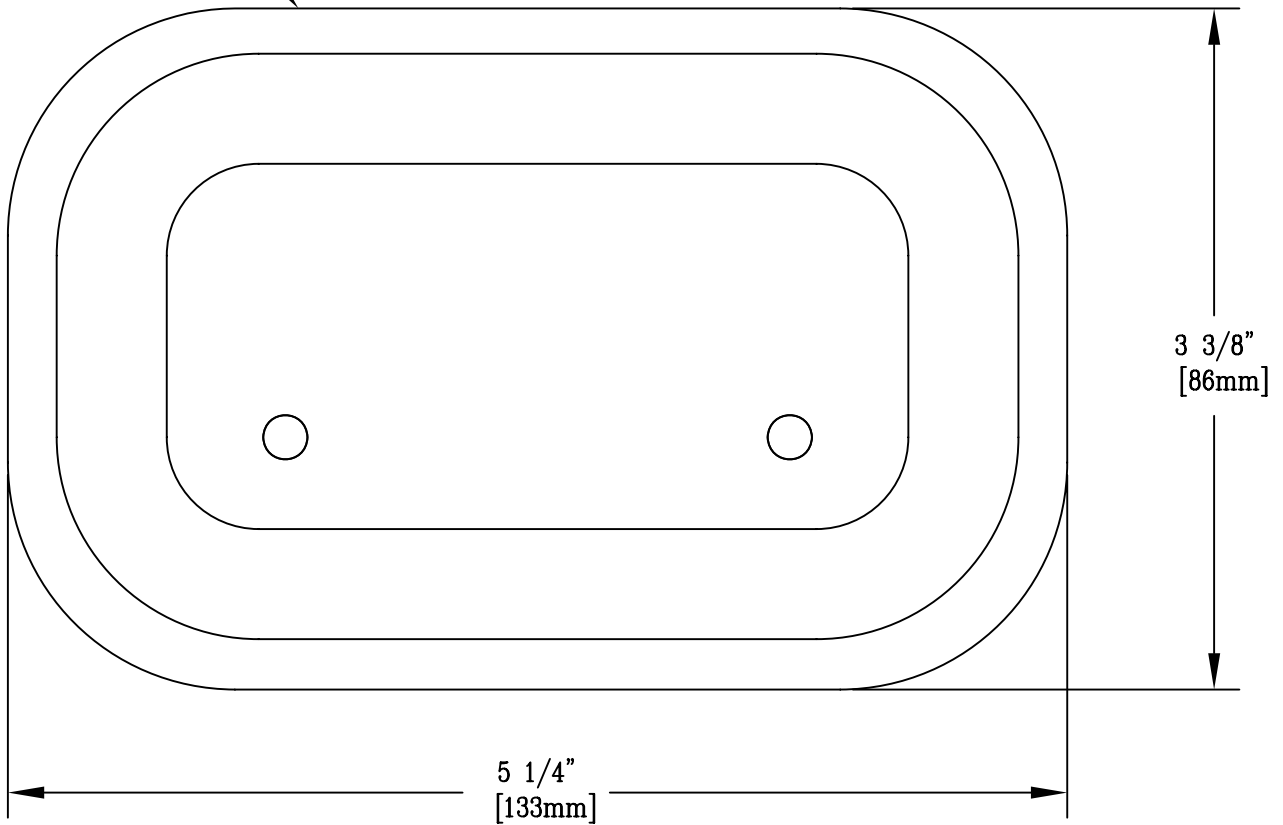
Job Name:

Architect/Engineer Approval:

Notes:



POLISH CHROME PLATED
 BRASS SOAP DISH



Product Description:

SOAP DISH

Drawn:

KJG

Approved

JHB

Checked

DHL

Scale:

1 : 1

Date:

10/05/09