



**T&S BRASS AND BRONZE WORKS, INC.**  
 2 Saddleback Cove / P.O. Box 1088  
 Travelers Rest, SC 29690

Model No.  
**B-7232-01M**

Item No.

Travelers Rest, SC: 800-476-4103 • Simi Valley, CA: 800-423-0150 • Fax: 864-834-3518 • www.tsbrass.com

This Space for Architect/Engineer Approval

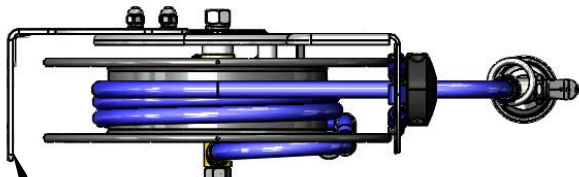
Job Name \_\_\_\_\_ Date \_\_\_\_\_

Model Specified \_\_\_\_\_ Quantity \_\_\_\_\_

Customer/Wholesaler \_\_\_\_\_

Contractor \_\_\_\_\_

Architect/Engineer \_\_\_\_\_



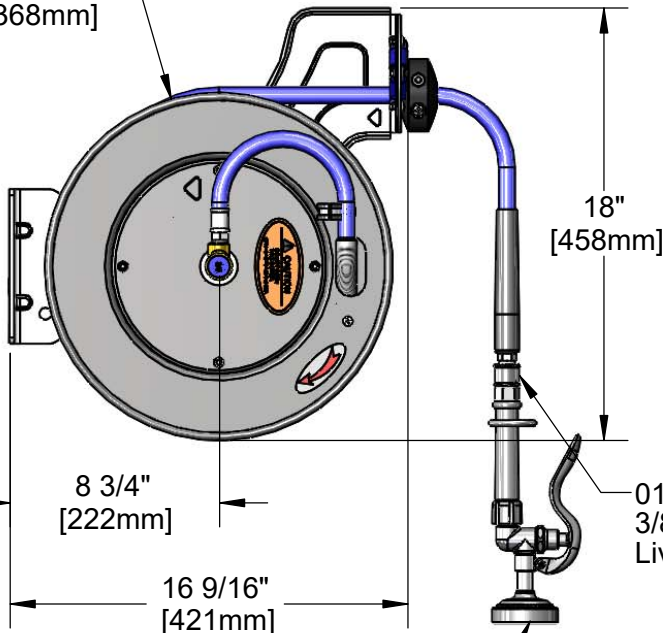
3/8" NPT Female Inlet  
 (Left Side of Reel)

Open Coated Hose Reel;  
 35 Ft. of 3/8" Hose



7 3/16"  
 [182mm]

Ø 14 1/2"  
 [368mm]



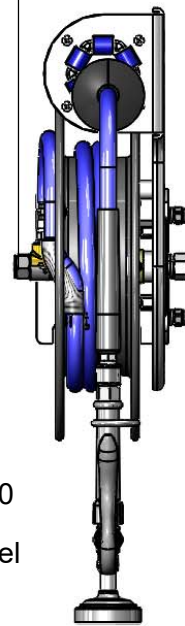
18"  
 [458mm]

8 3/4"  
 [222mm]

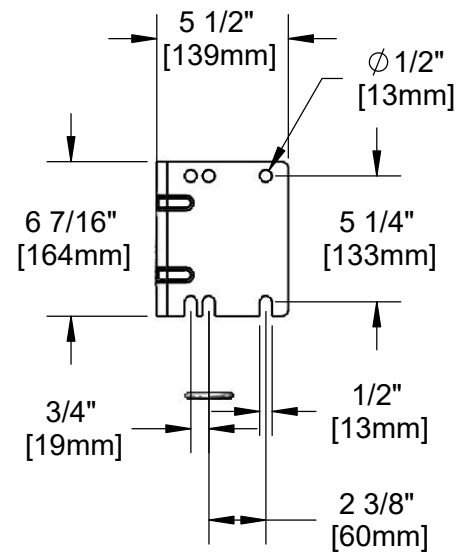
16 9/16"  
 [421mm]

019652-40  
 3/8" NPT  
 Live Swivel

B-0107  
 1.15 GPM  
 Spray Valve



Mounting Hole Details



5 1/2"  
 [139mm]

Ø 1/2"  
 [13mm]

6 7/16"  
 [164mm]

5 1/4"  
 [133mm]

3/4"  
 [19mm]

1/2"  
 [13mm]

2 3/8"  
 [60mm]

Product Specifications:  
 3/8" x 35 Ft. Open Coated Reel w/ 1.15 GPM Spray Valve & Swivel

Product Compliance:  
 NSF 61 Exempt (Non-Potable)  
 2019 DOE PRSV - Class II



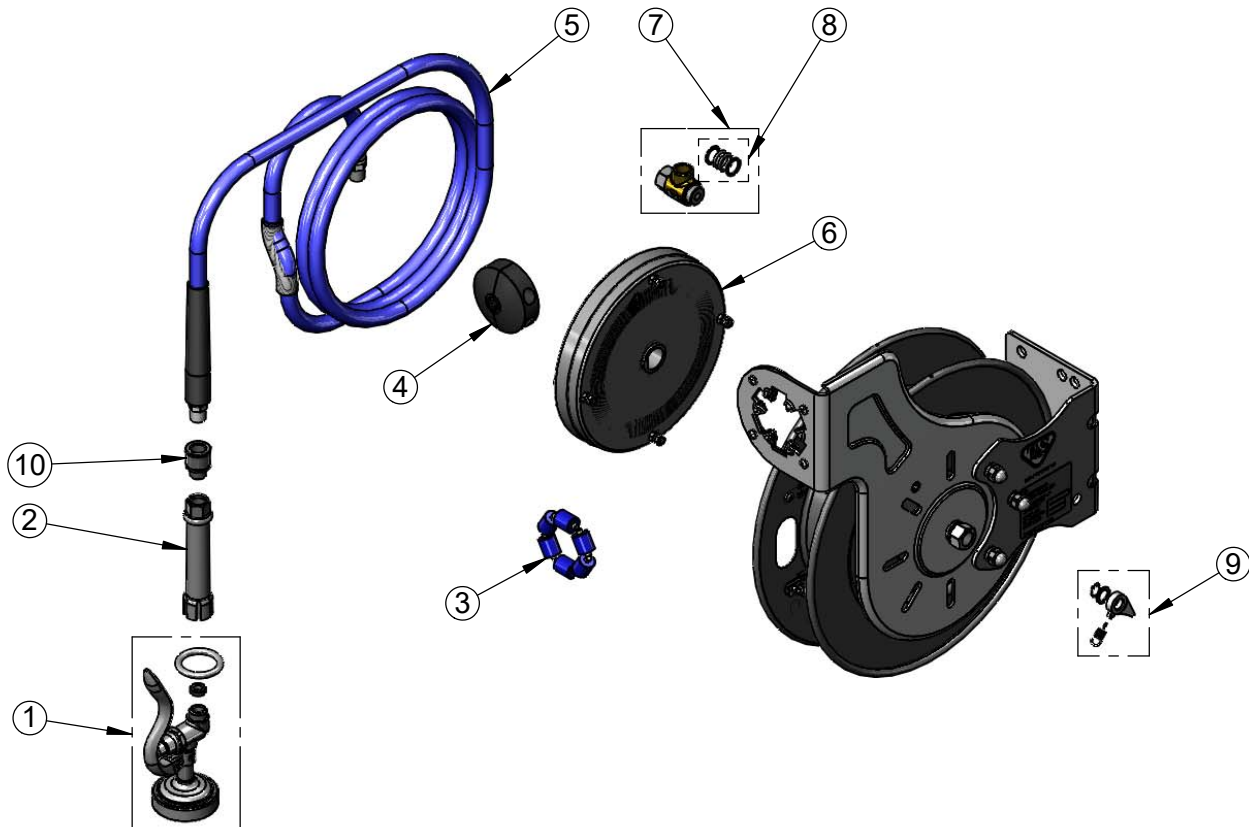
**T&S BRASS AND BRONZE WORKS, INC.**  
 2 Saddleback Cove / P.O. Box 1088  
 Travelers Rest, SC 29690

Model No.  
**B-7232-01M**

Item No.

Travelers Rest, SC: 800-476-4103 • Simi Valley, CA: 800-423-0150 • Fax: 864-834-3518 • www.tsbrass.com

ITEM NO.	SALES NO.	DESCRIPTION
1	B-0107	1.15 GPM Spray Valve
2	002881-40	Gray Handle Grip
3	014938-45	Roller Assembly Repair Kit
4	014949-45	Hose Stop Repair Kit
5	014941-45	3/8" x 35' Hose Replacement Kit
6	019432-45	Small Spring Assembly
7	014946-45	3/8" Swivel Repair Kit
8	014948-45	O-Ring Replacement Kit
9	014940-45	Ratchet Repair Kit
10	019652-40	3/8" NPT Live Swivel



Product Specifications:  
 3/8" x 35 Ft. Open Coated Reel w/ 1.15 GPM Spray Valve & Swivel

Product Compliance:  
 NSF 61 Exempt (Non-Potable)  
 2019 DOE PRSV - Class II