



**T&S BRASS AND BRONZE WORKS, INC.**  
 2 Saddleback Cove / P.O. Box 1088  
 Travelers Rest, SC 29690

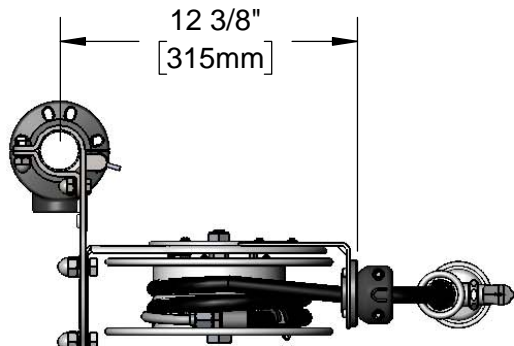
Model No.  
**B-7102-01M-STB**

Item No.

Travelers Rest, SC: 800-476-4103 • Simi Valley, CA: 800-423-0150 • Fax: 864-834-3518 • www.tsbrass.com

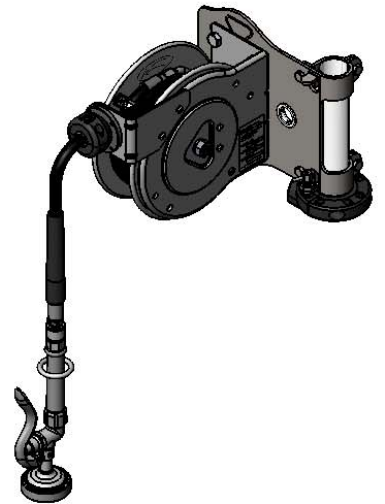
This Space for Architect/Engineer Approval

Job Name \_\_\_\_\_ Date \_\_\_\_\_  
 Model Specified \_\_\_\_\_ Quantity \_\_\_\_\_  
 Customer/Wholesaler \_\_\_\_\_  
 Contractor \_\_\_\_\_  
 Architect/Engineer \_\_\_\_\_



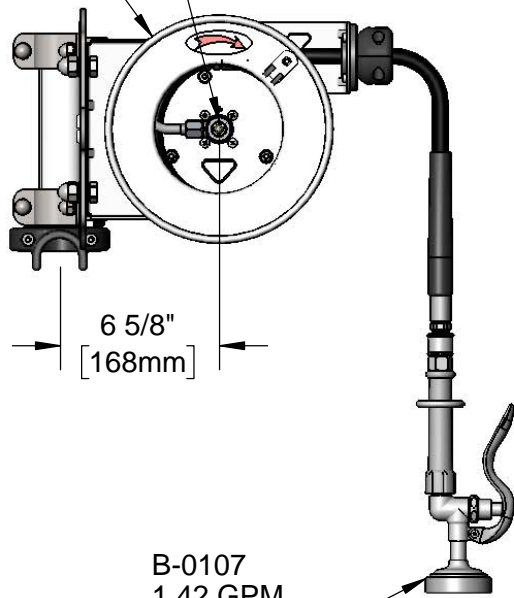
Mounting Hardware Included for Hose Reel to Bracket

Stainless Steel  $\phi$  1 5/8" Table Leg Mount Swing Bracket w/ 180° Multiple Locking Position Rotation



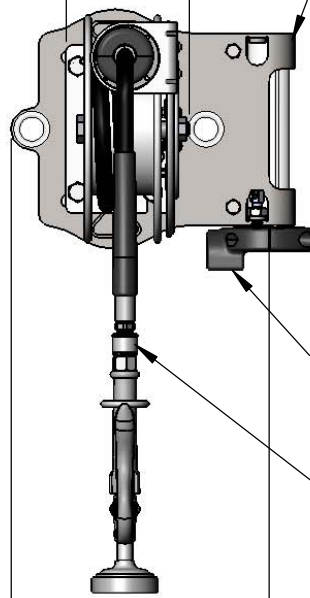
Bracket Can Be Mounted to Swing Either Left or Right

$\phi$  9 1/2" [241mm]  
 3/8" NPT Female Inlet (Left Side of Reel)



B-0107  
 1.42 GPM  
 Spray Valve

5 1/8" [130mm]



Must Have  $\phi$  1 5/8" Horizontal Support Attached to Table Leg

019652-40  
 3/8" NPT  
 Live Swivel

Product Specifications:  
 3/8" x 12 Ft. Open Stainless Steel Reel, 1.42 GPM Spray Valve w/ Swivel & 180 Degree Stainless Steel Table Leg Multiple Locking Position Swing Bracket w/ Mounting Hardware for Hose Reel to Bracket

Product Compliance:  
 NSF 61 Exempt (Non-Potable)  
 EPAAct 2005 (PRSV)



# T&S BRASS AND BRONZE WORKS, INC.

2 Saddleback Cove / P.O. Box 1088  
Travelers Rest, SC 29690

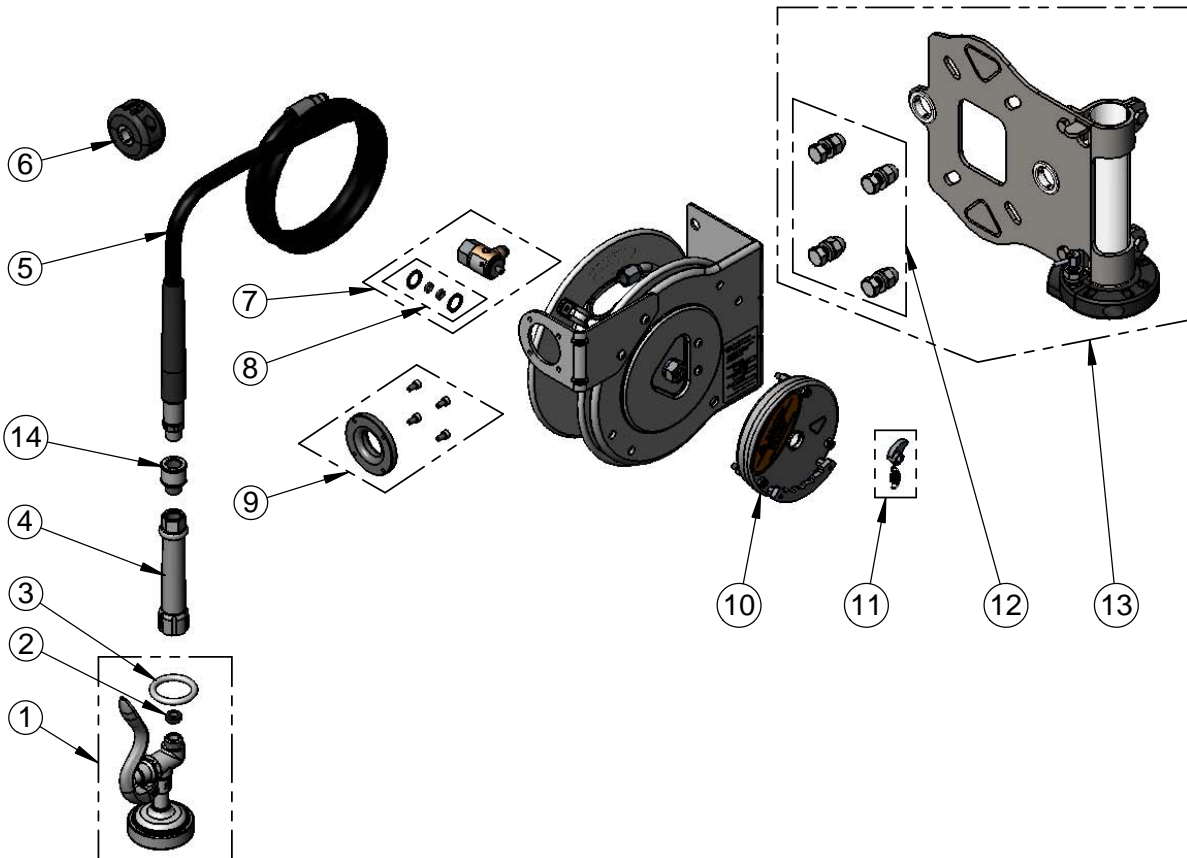
Model No.

**B-7102-01M-STB**

Item No.

Travelers Rest, SC: 800-476-4103 • Simi Valley, CA: 800-423-0150 • Fax: 864-834-3518 • www.tsbrass.com

| ITEM NO. | SALES NO.  | DESCRIPTION                             |
|----------|------------|---|
| 1        | B-0107     | 1.42 GPM Spray Valve                    |
| 2        | 010476-45  | #27 Washer                              |
| 3        | 000907-45  | Spray Valve Hold Down Ring              |
| 4        | 002881-40  | Grip Handle                             |
| 5        | 017938-45  | 3/8" x 12 Ft. Hose Replacement Kit      |
| 6        | 019246-45  | Hose Stop Repair Kit                    |
| 7        | 017355-45  | Swivel Repair Kit                       |
| 8        | 014948-45  | O-Ring Replacement Kit                  |
| 9        | 017352-45  | Guide Bushing Kit                       |
| 10       | 017362-45  | Spring                                  |
| 11       | 017359-45  | Ratchet Lever Kit                       |
| 12       | 019191-45K | Hose Reel Bracket Mounting Kit          |
| 13       | G018477-45 | Stainless Steel Table Leg Swing Bracket |
| 14       | 019652-40  | 3/8" NPT Live Swivel                    |



**Product Specifications:**

3/8" x 12 Ft. Open Stainless Steel Reel, 1.42 GPM Spray Valve w/ Swivel & 180 Degree Stainless Steel Table Leg Multiple Locking Position Swing Bracket w/ Mounting Hardware for Hose Reel to Bracket

**Product Compliance:**

NSF 61 Exempt (Non-Potable)  
EPA Act 2005 (PRSV)