



T&S BRASS AND BRONZE WORKS, INC.

2 Saddleback Cove / P.O. Box 1088
Travelers Rest, SC 29690

Model No.

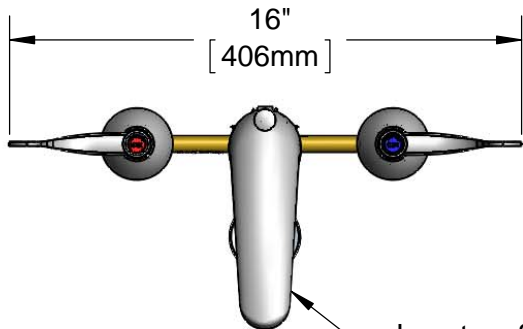
B-2990-PWH4

Item No.

Travelers Rest, SC: 800-476-4103 • Simi Valley, CA: 800-423-0150 • Fax: 864-834-3518 • www.tsbrass.com



ADA Compliant



Lavatory Spout
w/ B-0199-03
2.2 GPM Male Aerator

This Space for Architect/Engineer Approval

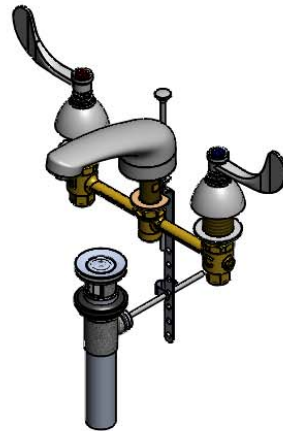
Job Name _____ Date _____

Model Specified _____ Quantity _____

Customer/Wholesaler _____

Contractor _____

Architect/Engineer _____



Ø 2 1/4"
[57mm]
Escutcheons

Eterna Cartridges &
Wrist Action Handles
w/ Color Coded Indexes

4 5/16"
[110mm]

Mounting
Surface

1 15/16"
[50mm]

5 1/8"
[134mm]

1 1/4"
[32mm]
Maximum
Thickness

1/2" NPSM
Coupling Nuts

Pop-Up Drain
Assembly

8"
[203mm]

Rough-In Required:
Center Shank Ø 1" [25mm] Mounting Hole
Hot/Cold Side Ø 1 1/2" [38mm] Mounting Holes

Product Specifications:
EasyInstall 8" Concealed Widespread Mixing Faucet, 4" Wrist Action
Handles, Eterna Cartridges, Pop-Up Drain and 2.2 GPM Aerator

Product Compliance:
ASME A112.18.1 / CSA B125.1
NSF 61 - Section 9
NSF 372 (Low Lead Content)
ANSI A117.1 (ADA)



T&S BRASS AND BRONZE WORKS, INC.

2 Saddleback Cove / P.O. Box 1088
Travelers Rest, SC 29690

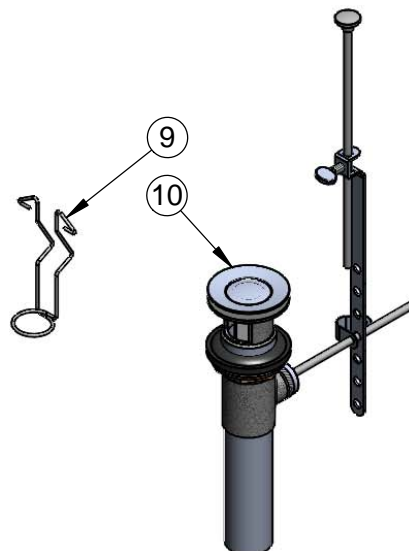
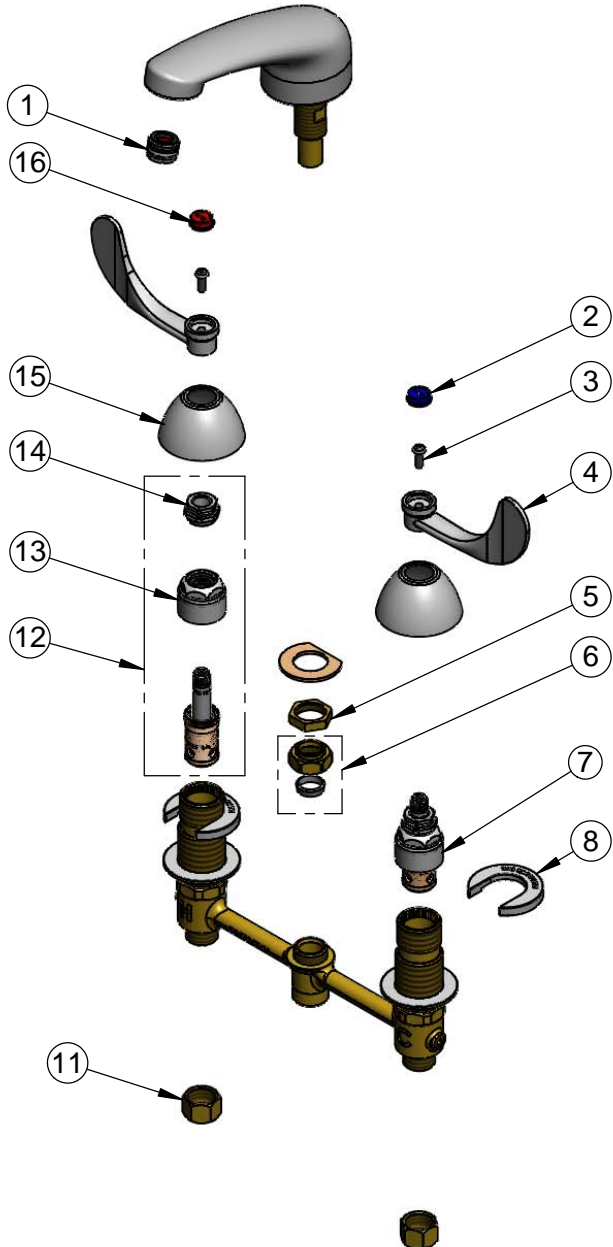
Model No.

B-2990-PWH4

Item No.

Travelers Rest, SC: 800-476-4103 • Simi Valley, CA: 800-423-0150 • Fax: 864-834-3518 • www.tsbrass.com

ITEM NO.	SALES NO.	DESCRIPTION
1	B-0199-03	2.2 GPM Aerator
2	001686-45	Blue Index - CW
3	000925-45	Lab Handle Screw
4	B-WH4	4" Wrist Action Handle
5	002954-45	Shank Lock Nut
6	016745-45	Compression Nut & Fitting
7	016752-40	EasyInstall LTC Eterna (Teflon)
8	016749-45	Sidebody C-Washer
9	016777-45	CWS Hanger
10	B-0898	Pop-Up Drain
11	000958-20	Coupling Nut
12	016753-40	EasyInstall RTC Eterna (Teflon)
13	016743-25	CWS Bonnet Assembly
14	009002-25	Packing Nut Assembly
15	001257-40	Bell Escutcheon
16	001194-45	Red Index - HW



Product Specifications:

EasyInstall 8" Concealed Widespread Mixing Faucet, 4" Wrist Action Handles, Eterna Cartridges, Pop-Up Drain and 2.2 GPM Aerator

Product Compliance:

ASME A112.18.1 / CSA B125.1
NSF 61 - Section 9
NSF 372 (Low Lead Content)
ANSI A117.1 (ADA)