



T&S BRASS AND BRONZE WORKS, INC.

2 Saddleback Cove / P.O. Box 1088
Travelers Rest, SC 29690

Model No.

B-2866-QT-21VR

Item No.

Travelers Rest, SC: 800-476-4103 • Simi Valley, CA: 800-423-0150 • Fax: 864-834-3518 • www.tsbrass.com

This Space for Architect/Engineer Approval

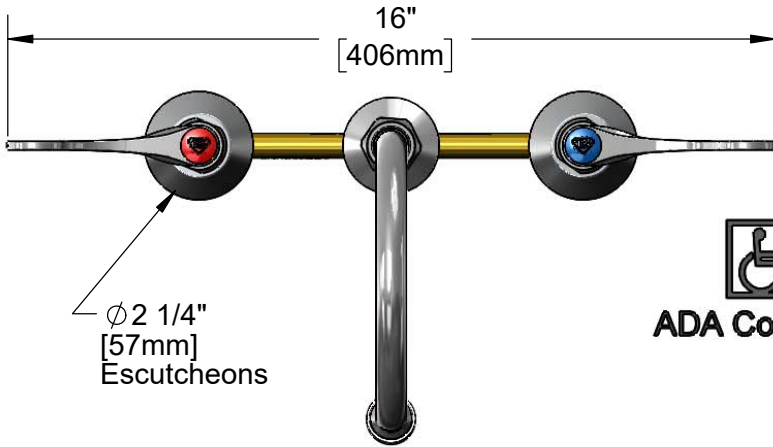
Job Name _____ Date _____

Model Specified _____ Quantity _____

Customer/Wholesaler _____

Contractor _____

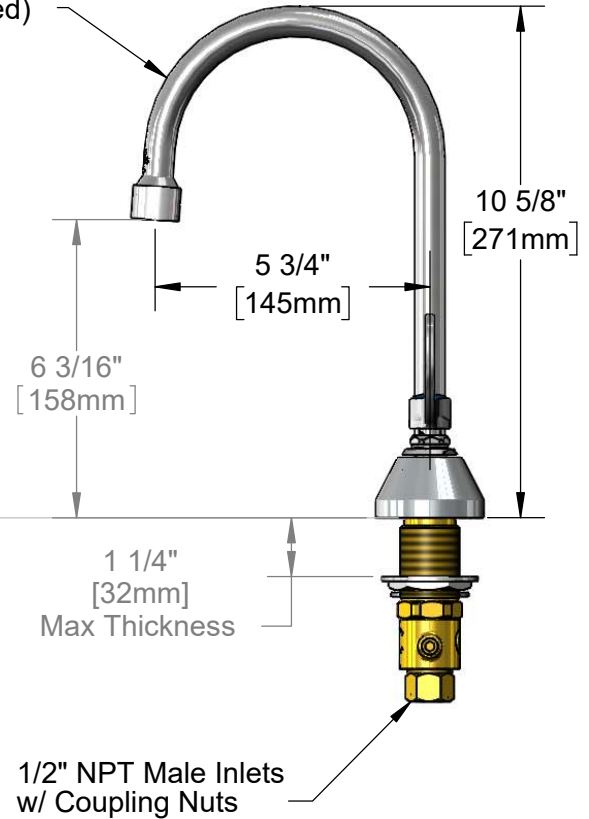
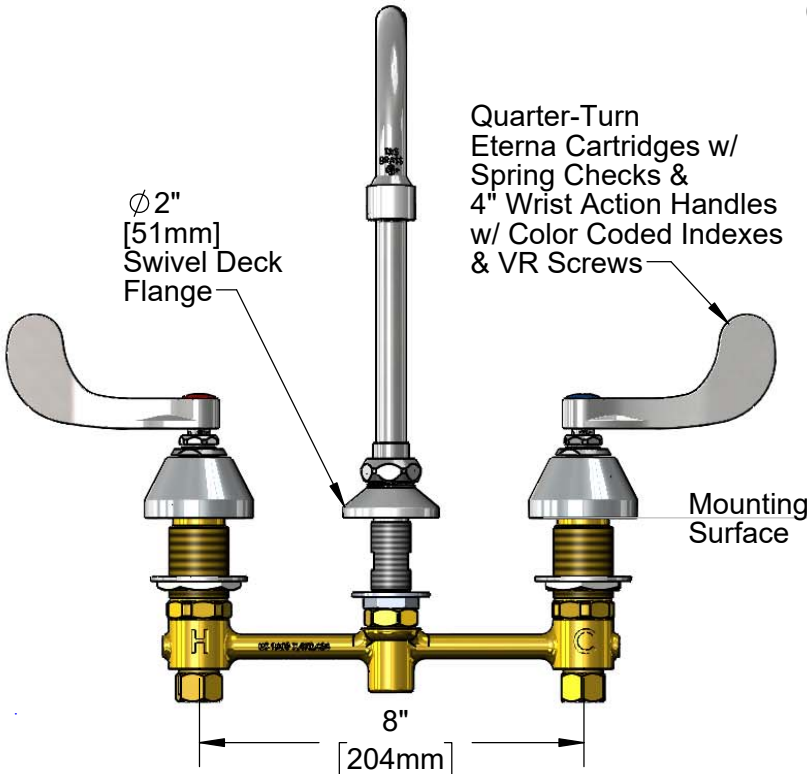
Architect/Engineer _____



ADA Compliant



133X-LAM-VR
5 3/4" Swivel Gooseneck w/
2.2 GPM VR Laminar Device.
Rigid Conversion Requires
014200-45 Lock Washer
(Included)



Rough-In Requirement:
Center Shank: 1" [25mm] Mounting Holes
Hot/Cold Side: 1 1/2" [38mm] Mounting Holes

Product Specifications:

8" Concealed Widespread EasyInstall Mixing Faucet, 4" Wrist Action Handles w/ VR Screws, Quarter-Turn Eterna Cartridges w/ Spring Checks, Swivel Gooseneck w/ 2.2 GPM VR Laminar Flow Device & 1/2" NPT Male Inlets w/ Coupling Nuts

Product Compliance:

ASME A112.18.1 / CSA B125.1
NSF 61 - Section 9
NSF 372 (Low Lead Content)
ANSI A117.1 (ADA)



T&S BRASS AND BRONZE WORKS, INC.

2 Saddleback Cove / P.O. Box 1088
Travelers Rest, SC 29690

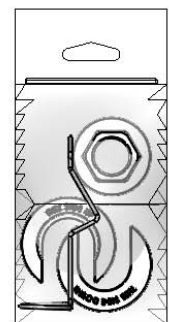
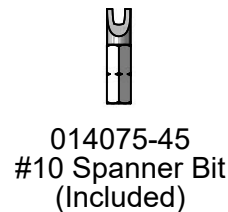
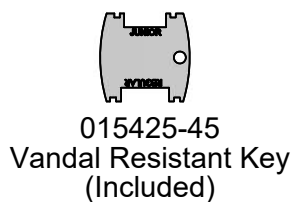
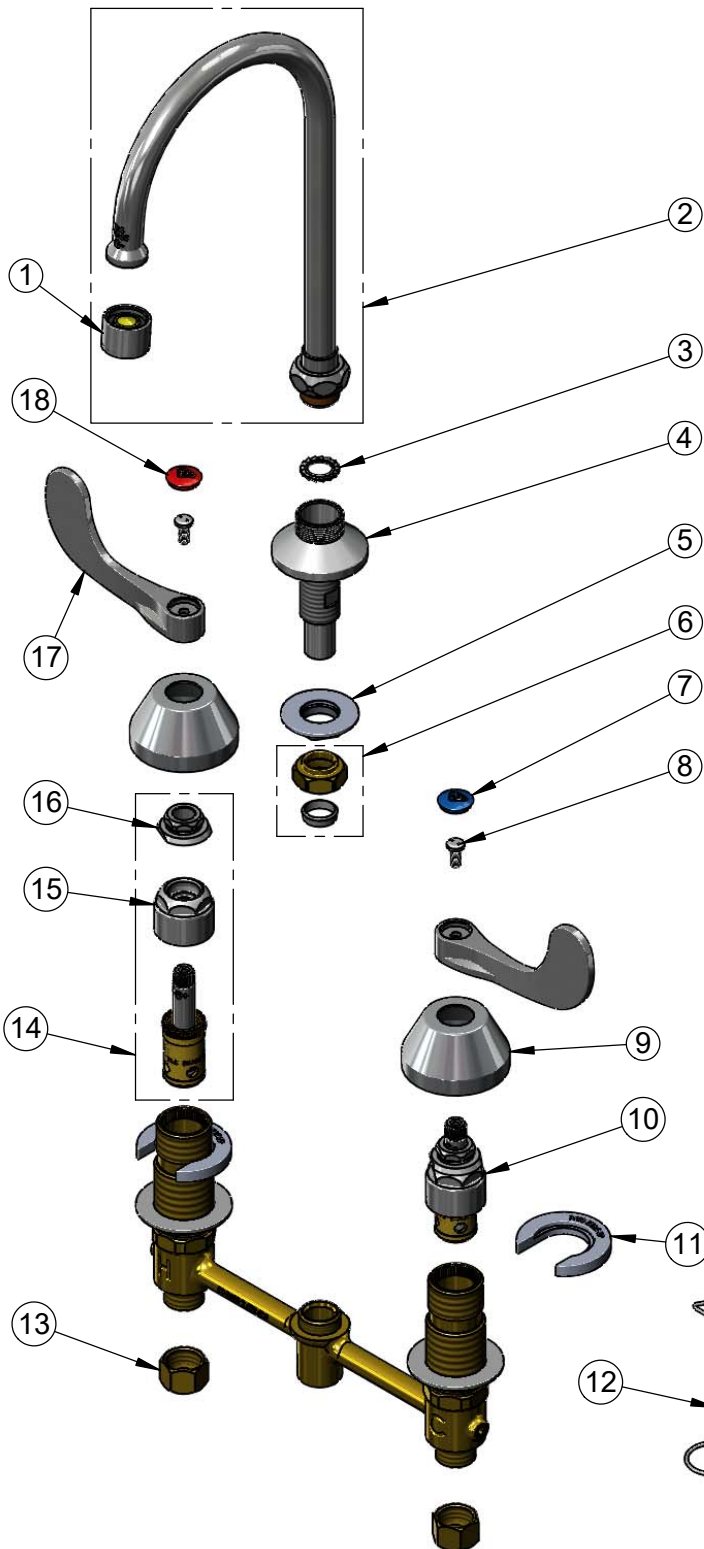
Model No.

B-2866-QT-21VR

Item No.

Travelers Rest, SC: 800-476-4103 • Simi Valley, CA: 800-423-0150 • Fax: 864-834-3518 • www.tsbrass.com

ITEM NO.	SALES NO.	DESCRIPTION
1	B-0199-21-VRF	VR Laminar Flow Device
2	133X-LAM-VR	5 3/4" Swivel Gooseneck w/ 2.2 GPM VR Laminar Flow Device
3	014200-45	Star Washer, Anti-Rotation
4	016754-40NS	EasyInstall CWS Swivel Center (New Style)
5	016742-45	Center Flange Nut
6	016745-45	Compression Nut & Fitting
7	018506-19NS	Blue Button Index, Press-in
8	VRS-2	VR Wrist Action Handle Screw (2) w/ Spanner Bit
9	001257-40NS	Bell Escutcheon
10	016752-40NS	EasyInstall, CWS Quarter-Turn Eterna Cartridge w/ Spring Check, LTC
11	016749-45	Sidebody C-Washer
12	016777-45	CWS Hanger
13	000958-20	Coupling Nut
14	016753-40NS	EasyInstall, CWS Quarter-Turn Eterna Cartridge w/ Spring Check, RTC
15	016743-25	CWS Bonnet Assembly
16	009002-40NS	Packing Assembly (New Style)
17	B-WH4-NS	Wrist Action Handle - New Style
18	001193-19NS	Red Button Index, Press-in



Product Specifications:

8" Concealed Widespread EasyInstall Mixing Faucet, 4" Wrist Action Handles w/ VR Screws, Quarter-Turn Eterna Cartridges w/ Spring Checks, Swivel Gooseneck w/ 2.2 GPM VR Laminar Flow Device & 1/2" NPT Male Inlets w/ Coupling Nuts

Product Compliance:

ASME A112.18.1 / CSA B125.1
NSF 61 - Section 9
NSF 372 (Low Lead Content)
ANSI A117.1 (ADA)