



T&S BRASS AND BRONZE WORKS, INC.

2 Saddleback Cove / P.O. Box 1088
Travelers Rest, SC 29690

Model No.

B-2865-05CRV05

Item No.

Travelers Rest, SC: 800-476-4103 • Simi Valley, CA: 800-423-0150 • Fax: 864-834-3518 • www.tsbrass.com



ADA Compliant

This Space for Architect/Engineer Approval

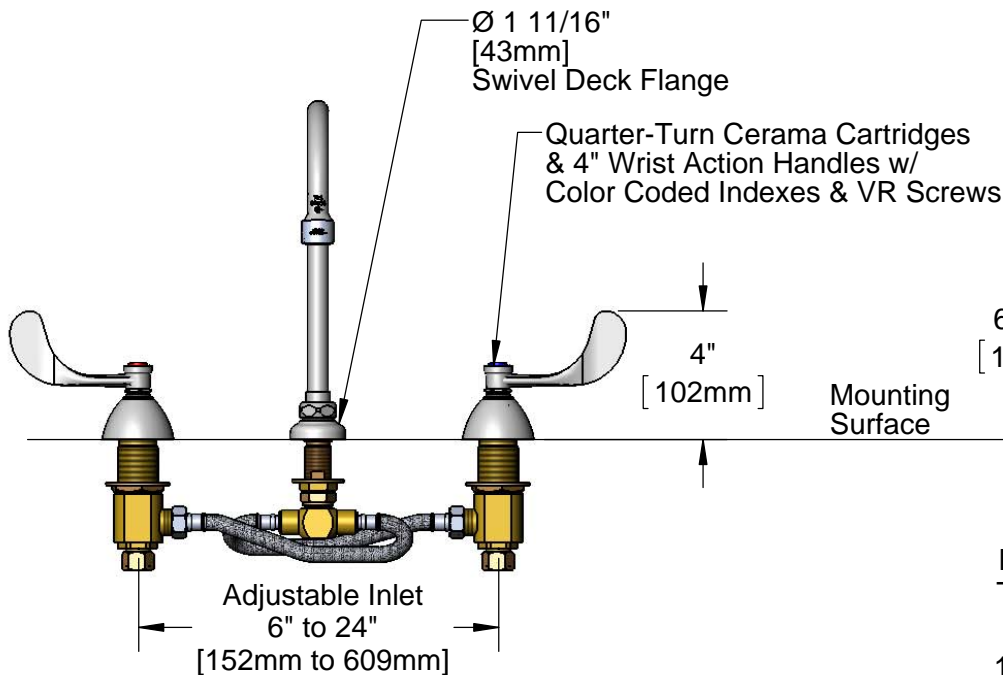
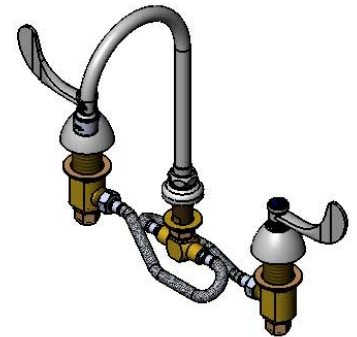
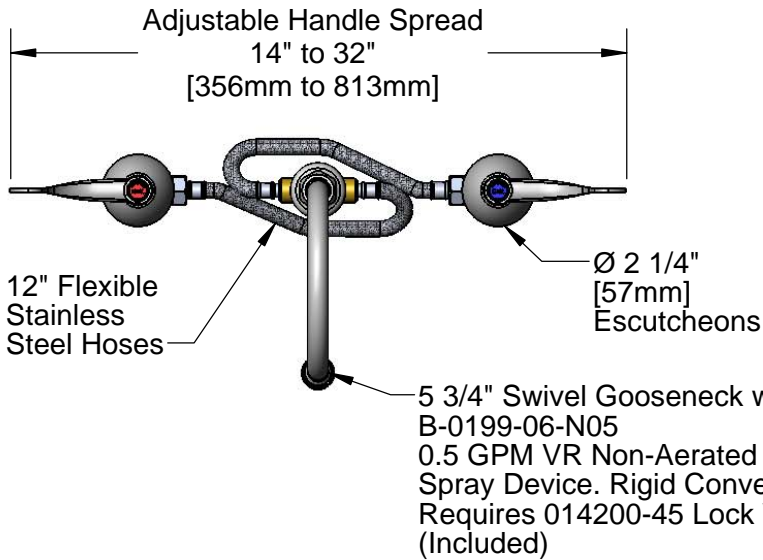
Job Name _____ Date _____

Model Specified _____ Quantity _____

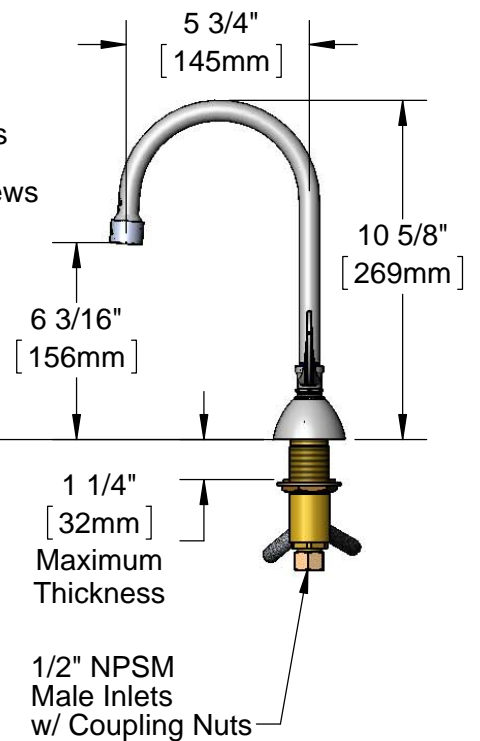
Customer/Wholesaler _____

Contractor _____

Architect/Engineer _____



Mounting Surface



Rough-In Requirement:
Center Shank: Ø 1" [25mm] Mounting Hole
Hot/Cold Bodies: Ø 1 1/2" [38mm] Mounting Holes

Product Specifications:
Adjustable Deck Mount Mixing Faucet, Quarter-Turn Cerama Cartridges, 4" Wrist Action Handles, VR Screws, 5 3/4" Swivel Gooseneck w/ 0.5 GPM VR Non-Aerated Spray Device, 12" Flexible Stainless Steel Hoses & 1/2" NPSM Male Inlets w/ Coupling Nuts

Product Compliance:
ASME A112.18.1 / CSA B125.1
NSF 61 - Section 9
NSF 372 (Low Lead Content)
ANSI A117.1 (ADA)



T&S BRASS AND BRONZE WORKS, INC.

2 Saddleback Cove / P.O. Box 1088
Travelers Rest, SC 29690

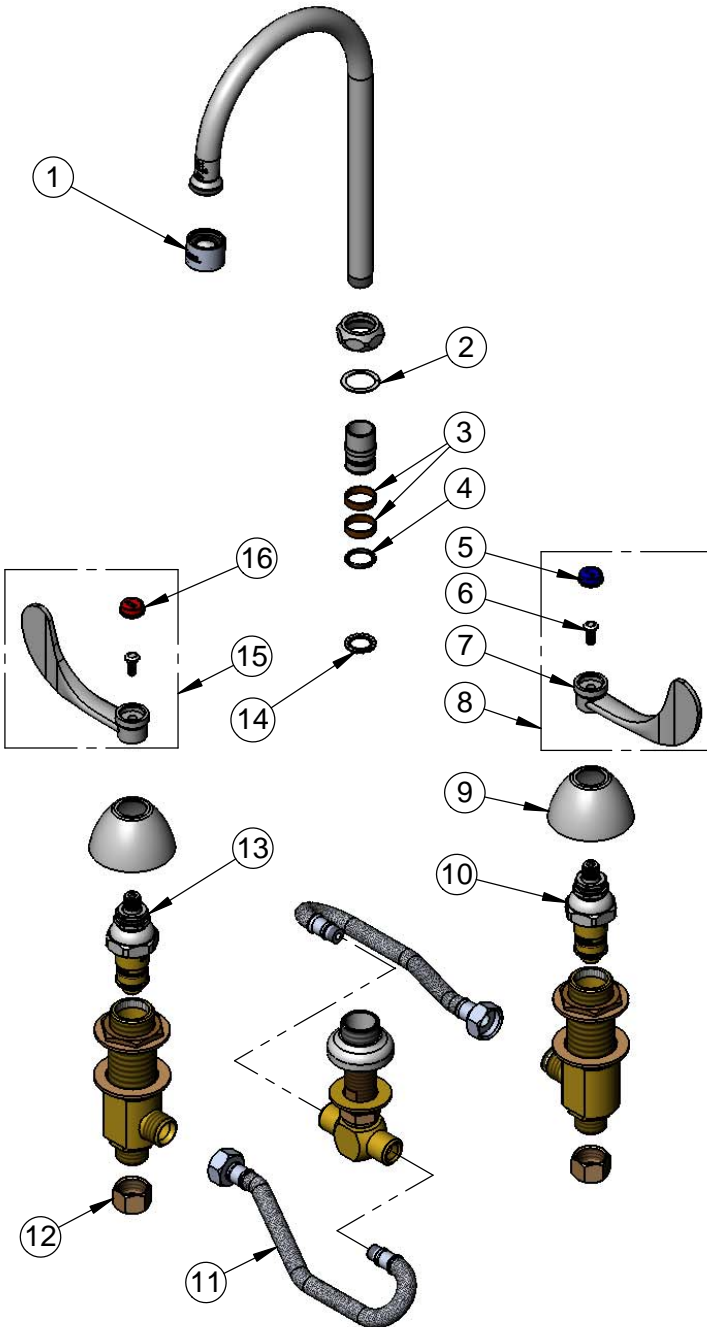
Model No.

B-2865-05CRV05

Item No.

Travelers Rest, SC: 800-476-4103 • Simi Valley, CA: 800-423-0150 • Fax: 864-834-3518 • www.tsbrass.com

ITEM NO.	SALES NO.	DESCRIPTION
1	B-0199-06-N05	0.5 GPM VR Non-Aerated Spray Device, 55/64-27 Female
2	009538-45	Swivel Washer
3	011429-45	Swivel Sleeves (2)
4	001074-45	O-Ring
5	001686-45	Blue Index - CW
6	VRS-2	VR Wrist Action Handle Screw (2) w/ Spanner Bit
7	B-WH4	4" Wrist Action Handle
8	B-WH4C	4" Wrist Action Handle, Screw & Cold Index
9	001257-40	Bell Escutcheon
10	011617-25	Quarter-Turn Cerama Cartridge, LTC w/ Escutcheon Bonnet
11	011649-45	12" Flexible Stainless Steel Hose (2)
12	000958-20	Coupling Nut
13	011616-25	Quarter-Turn Cerama Cartridge, RTC w/ Escutcheon Bonnet
14	014200-45	Star Washer, Anti-Rotation
15	B-WH4H	4" Wrist Action Handle, Screw & Hot Index
16	001194-45	Red Index - HW



014075-45
#10 Spanner Bit
(Included)



015425-45
Vandal Resistant Key
(Included)

Product Specifications:

Adjustable Deck Mount Mixing Faucet, Quarter-Turn Cerama Cartridges, 4" Wrist Action Handles, VR Screws, 5 3/4" Swivel Gooseneck w/ 0.5 GPM VR Non-Aerated Spray Device, 12" Flexible Stainless Steel Hoses & 1/2" NPSM Male Inlets w/ Coupling Nuts

Product Compliance:

ASME A112.18.1 / CSA B125.1
NSF 61 - Section 9
NSF 372 (Low Lead Content)
ANSI A117.1 (ADA)