



# T&S BRASS AND BRONZE WORKS, INC.

2 Saddleback Cove / P.O. Box 1088  
Travelers Rest, SC 29690

Model No.

**B-2865-05CR**

Item No.

Travelers Rest, SC: 800-476-4103 • Simi Valley, CA: 800-423-0150 • Fax: 864-834-3518 • www.tsbrass.com



**ADA Compliant**



Adjustable Handle Spread  
14" to 32"  
[356mm to 813mm]

Rigid Gooseneck w/  
B-0103  
Rosespray Outlet

This Space for Architect/Engineer Approval

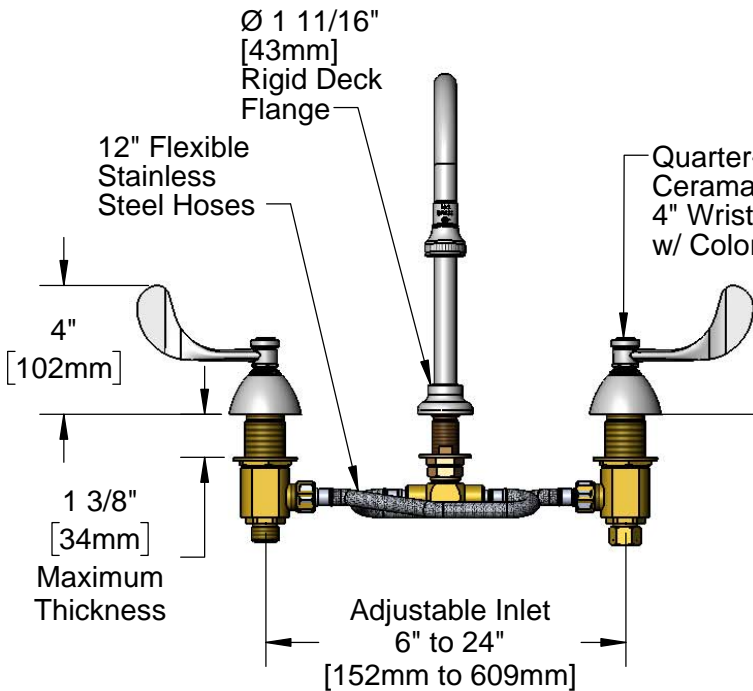
Job Name \_\_\_\_\_ Date \_\_\_\_\_

Model Specified \_\_\_\_\_ Quantity \_\_\_\_\_

Customer/Wholesaler \_\_\_\_\_

Contractor \_\_\_\_\_

Architect/Engineer \_\_\_\_\_



Ø 1 11/16"  
[43mm]  
Rigid Deck  
Flange

12" Flexible  
Stainless  
Steel Hoses

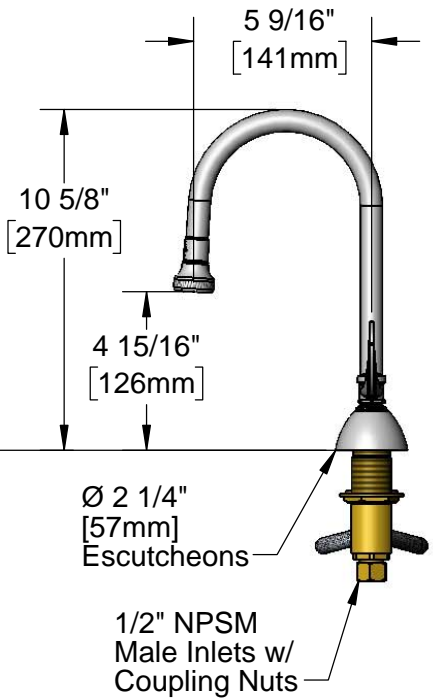
4"  
[102mm]

1 3/8"  
[34mm]  
Maximum  
Thickness

Adjustable Inlet  
6" to 24"  
[152mm to 609mm]

Quarter-Turn  
Cerama Cartridges &  
4" Wrist Action Handles  
w/ Color Coded Indexes

Mounting  
Surface



10 5/8"  
[270mm]

4 15/16"  
[126mm]

Ø 2 1/4"  
[57mm]  
Escutcheons

1/2" NPSM  
Male Inlets w/  
Coupling Nuts

**Rough-In Requirement:**  
Center Shank: Ø 1" [25mm] Mounting Hole  
Hot/Cold Bodies: Ø 1 1/2" [38mm] Mounting Holes

**Product Specifications:**  
Adjustable Deck Mount Mixing Faucet, Quarter-Turn Cerama Cartridges, 4" Wrist Action Handles, Rigid Gooseneck, Rosespray Outlet & 1/2" NPSM Male Inlets

**Product Compliance:**  
ASME A112.18.1 / CSA B125.1  
NSF 61 - Section 9  
NSF 372 (Low Lead Content)  
ANSI A117.1 (ADA)



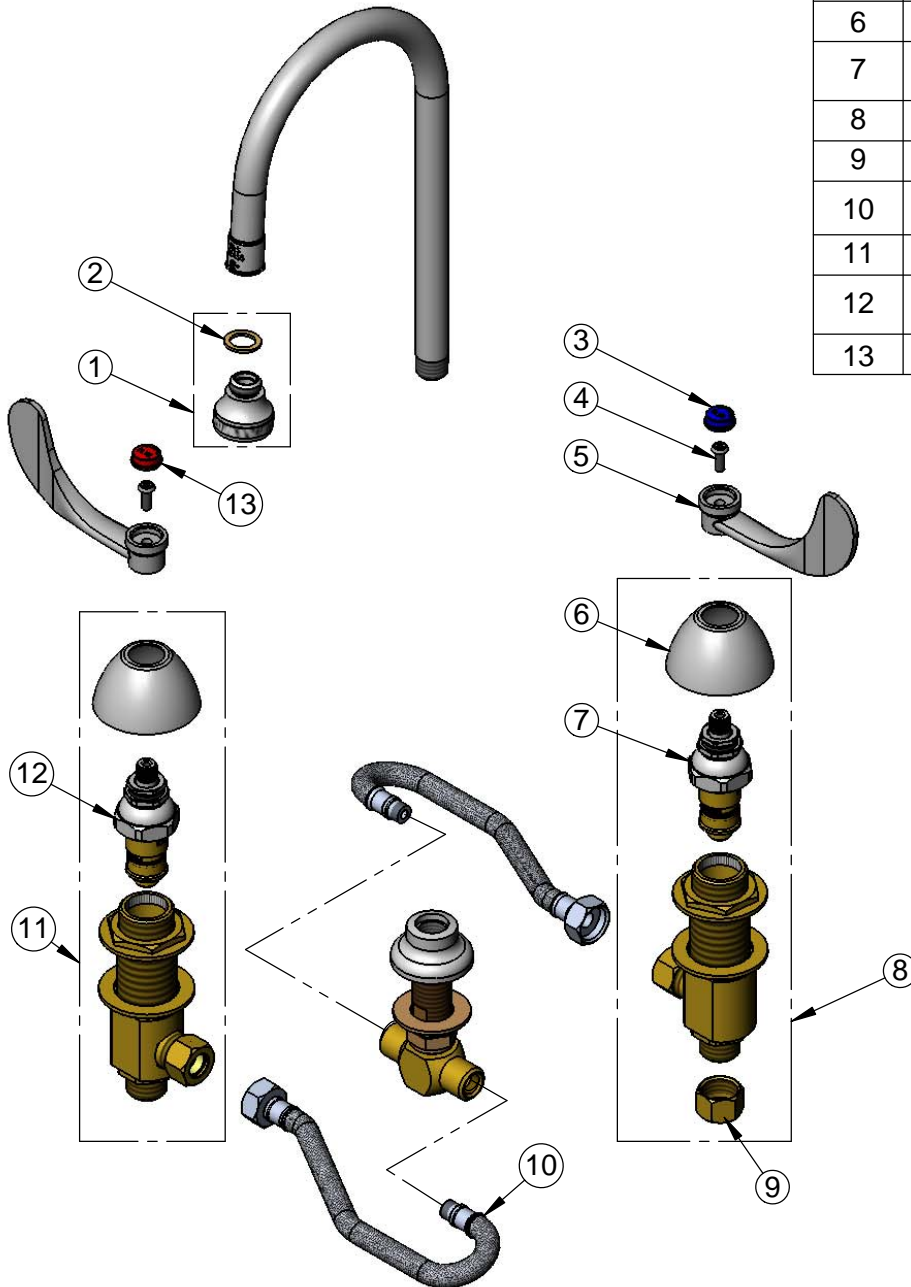
**T&S BRASS AND BRONZE WORKS, INC.**  
 2 Saddleback Cove / P.O. Box 1088  
 Travelers Rest, SC 29690

Model No.  
**B-2865-05CR**

Item No.

Travelers Rest, SC: 800-476-4103 • Simi Valley, CA: 800-423-0150 • Fax: 864-834-3518 • www.tsbrass.com

ITEM NO.	SALES NO.	DESCRIPTION
1	B-0103	Rosespray Outlet, 3/8" NPSM Male
2	001043-45	Washer
3	001686-45	Blue Index-CW
4	000925-45	Lab Handle Screw
5	B-WH4	4" Wrist Action Handle
6	001257-40	Bell Escutcheon
7	011617-45	Quarter-Turn Cerama Cartridge, LTC w/ Escutcheon B onnet
8	161A	Side Body, LTC
9	000958-20	Coupling Nut
10	011649-45	12" Flexible Stainless Steel Hose (2)
11	162A	Side Body, RTC
12	011616-45	Quarter-Turn Cerama Cartridge, RTC w/ Escutcheon B onnet
13	001194-45	Red Index-HW



**Product Specifications:**

Adjustable Deck Mount Mixing Faucet, Quarter-Turn Cerama Cartridges, 4" Wrist Action Handles, Rigid Gooseneck, Rosespray Outlet & 1/2" NPSM Male Inlets

**Product Compliance:**

ASME A112.18.1 / CSA B125.1  
 NSF 61 - Section 9  
 NSF 372 (Low Lead Content)  
 ANSI A117.1 (ADA)