



T&S BRASS AND BRONZE WORKS, INC.

2 Saddleback Cove / P.O. Box 1088
Travelers Rest, SC 29690

Model No.

B-2484

Item No.

Travelers Rest, SC: 800-476-4103 • Simi Valley, CA: 800-423-0150 • Fax: 864-834-3518 • www.tsbrass.com

This Space for Architect/Engineer Approval

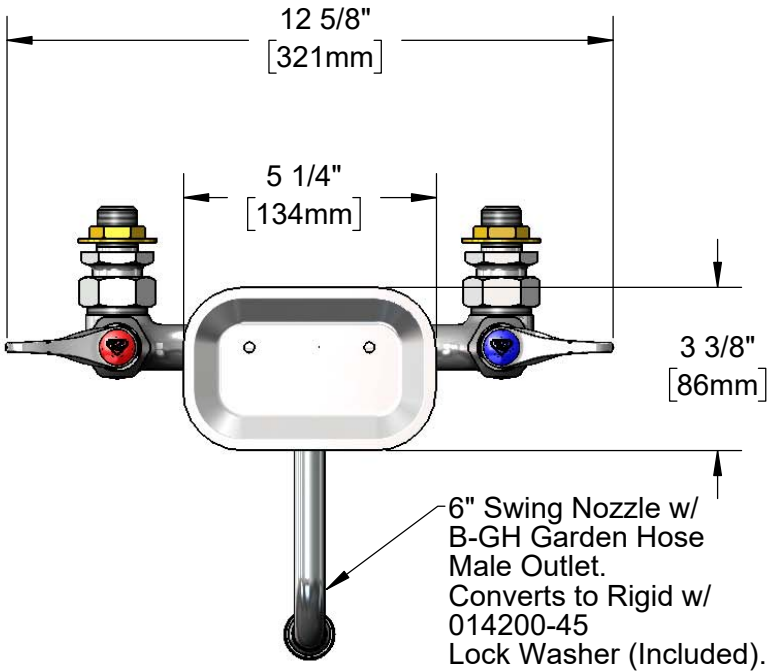
Job Name _____ Date _____

Model Specified _____ Quantity _____

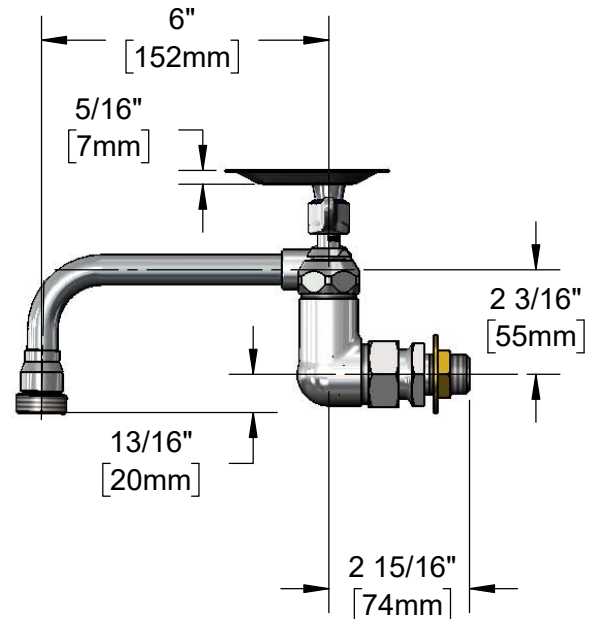
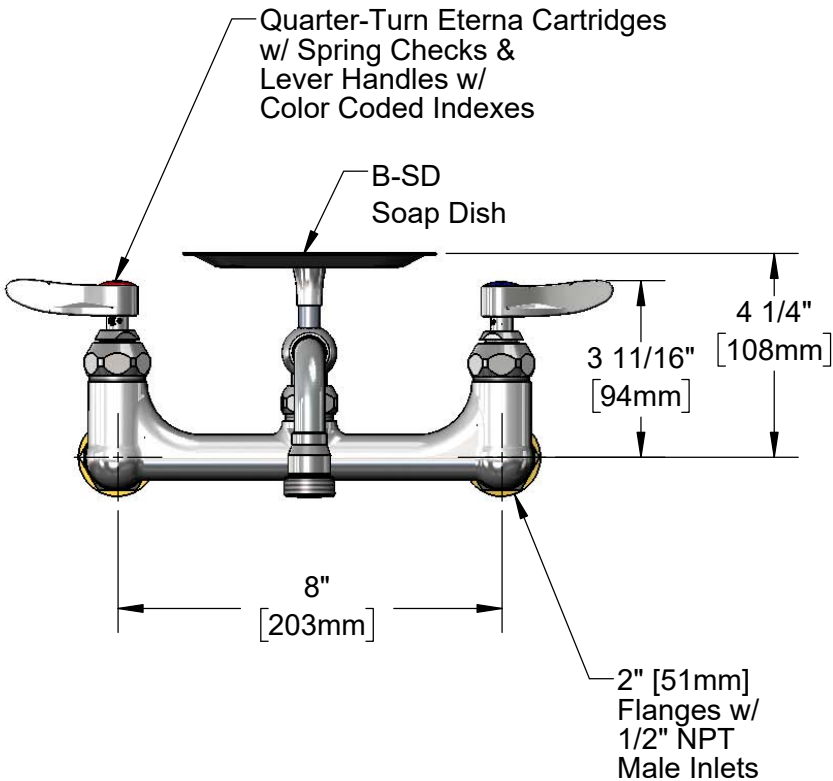
Customer/Wholesaler _____

Contractor _____

Architect/Engineer _____



ADA Compliant



Product Specifications:

8" Wall Mount Mixing Faucet, Quarter-Turn Eterna Cartridges w/ Spring Checks, 6" Swing Nozzle w/ Garden Hose Male Outlet, Soap Dish, Lever Handles and 1/2" NPT Male Inlets

Product Compliance:

ASME A112.18.1 / CSA B125.1
NSF 61 - Section 9
NSF 372 (Low Lead Content)
ANSI A117.1 (ADA)



T&S BRASS AND BRONZE WORKS, INC.

2 Saddleback Cove / P.O. Box 1088
Travelers Rest, SC 29690

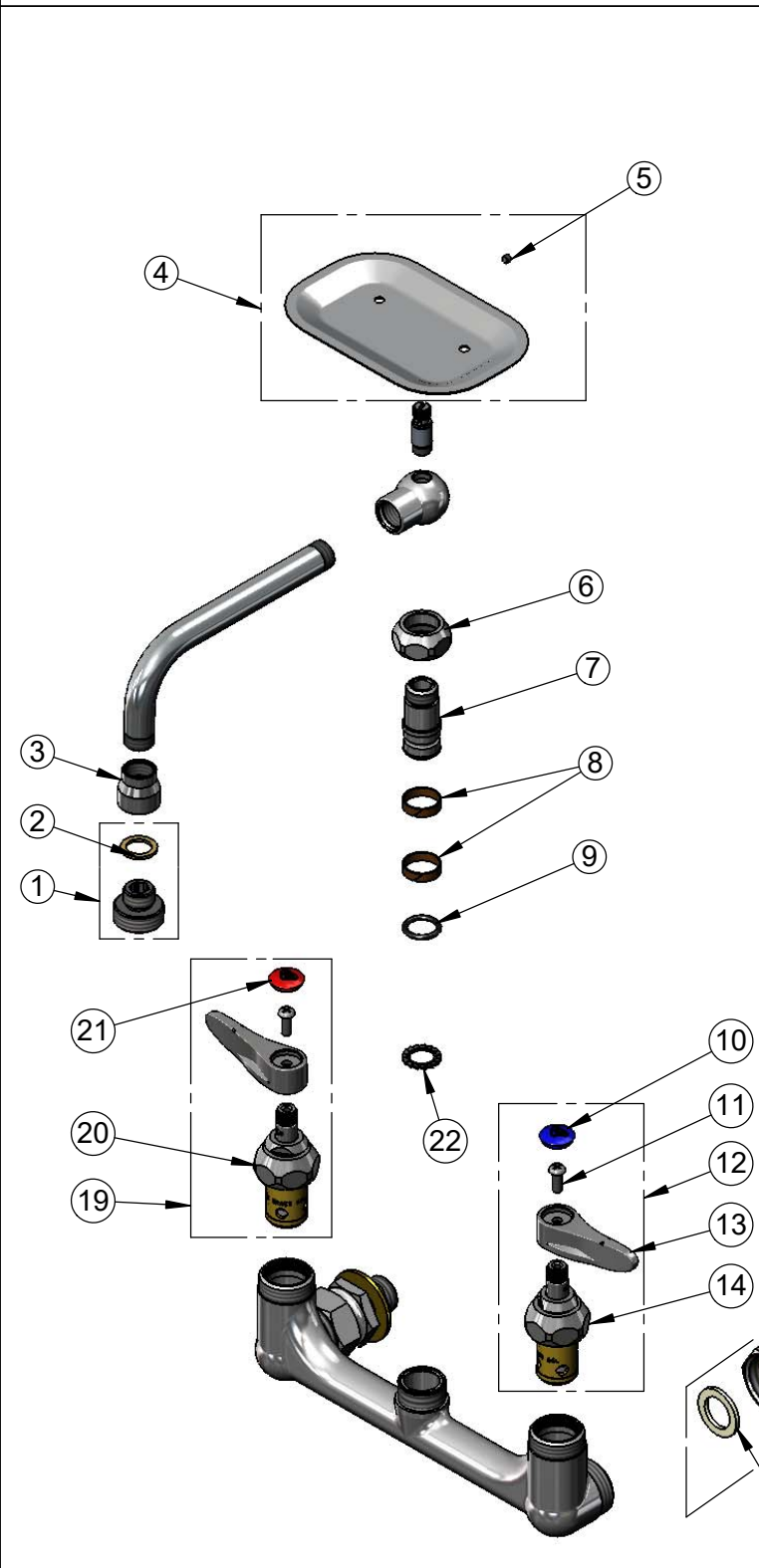
Model No.

B-2484

Item No.

Travelers Rest, SC: 800-476-4103 • Simi Valley, CA: 800-423-0150 • Fax: 864-834-3518 • www.tsbrass.com

ITEM NO.	SALES NO.	DESCRIPTION
1	B-GH	Garden Hose Male Outlet
2	001043-45	Washer
3	000557-25	Bell Adapter, 5/8-27 UN Female x 3/8" NPSM Female
4	B-SD	Soap Dish w/ Set Screw
5	000939-45	Escutcheon, Set Screw
6	000711-40	Swivel Adapter Nut
7	000843-25	Swivel Body
8	011429-45	Swivel Sleeves (2)
9	001074-45	O-Ring
10	018506-19NS	Blue Button Index, Press-in
11	000925-45	Lab Handle Screw
12	002711-40NS	Quarter-Turn Eterna Cartridge w/ Spring Check, Handle, Blue Index & Screw, LTC
13	001638-45NS	Lever Handle (New Style)
14	012442-40NS	Quarter-Turn Eterna Cartridge w/ Spring Check, LTC
15	001019-45	Coupling Nut Washer
16	00CC	1/2" NPT Male Inlet
17	000999-45	Brass Lock Washer
18	002954-45	Shank Lock Nut
19	002712-40NS	Quarter-Turn Eterna Cartridge w/ Spring Check, Handle, Red Index & Screw, RTC
20	012443-40NS	Quarter-Turn Eterna Cartridge w/ Spring Check, RTC
21	001193-19NS	Red Button Index, Press-in
22	014200-45	Star Washer, Anti-Rotation



Product Specifications:
8" Wall Mount Mixing Faucet, Quarter-Turn Eterna Cartridges w/ Spring Checks, 6" Swing Nozzle w/ Garden Hose Male Outlet, Soap Dish, Lever Handles and 1/2" NPT Male Inlets

Product Compliance:
ASME A112.18.1 / CSA B125.1
NSF 61 - Section 9
NSF 372 (Low Lead Content)
ANSI A117.1 (ADA)