



T&S BRASS AND BRONZE WORKS, INC.

2 Saddleback Cove / P.O. Box 1088
Travelers Rest, SC 29690

Model No.

B-2339-7132MVBH

Item No.

Travelers Rest, SC: 800-476-4103 • Simi Valley, CA: 800-423-0150 • Fax: 864-834-3518 • www.tsbrass.com

This Space for Architect/Engineer Approval

Job Name _____ Date _____

Model Specified _____ Quantity _____

Customer/Wholesaler _____

Contractor _____

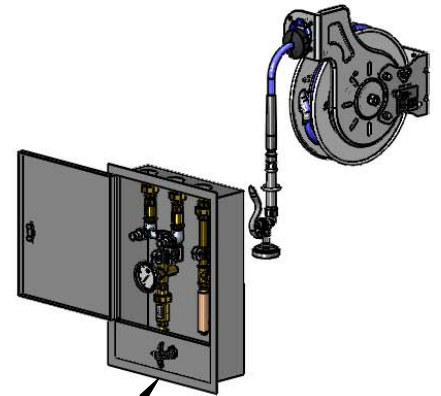
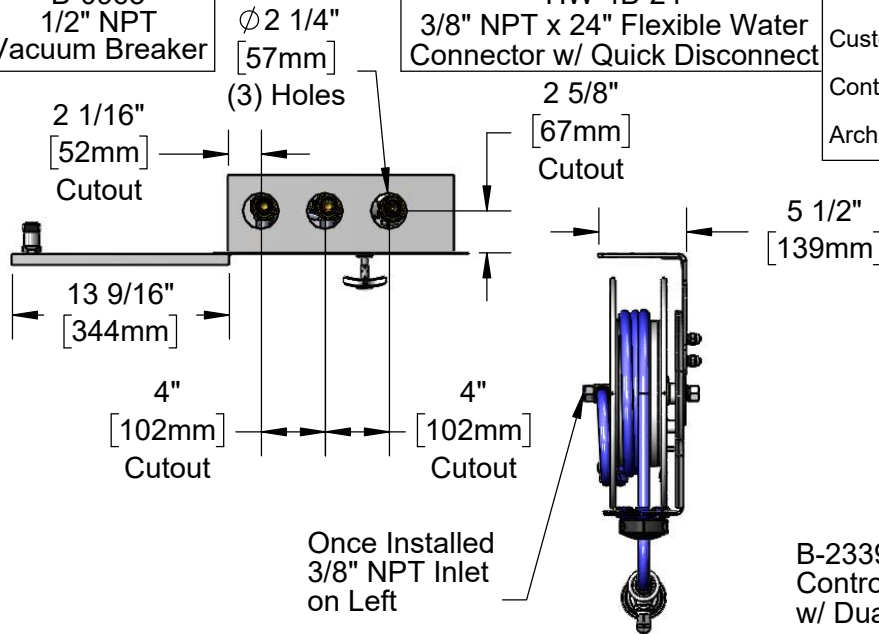
Architect/Engineer _____



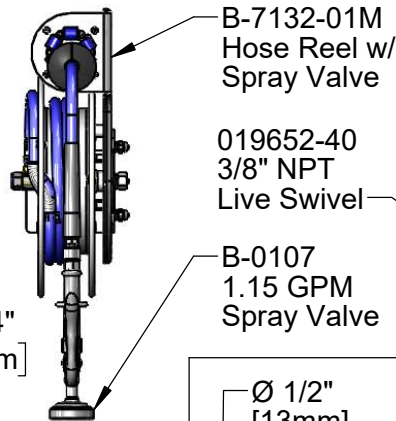
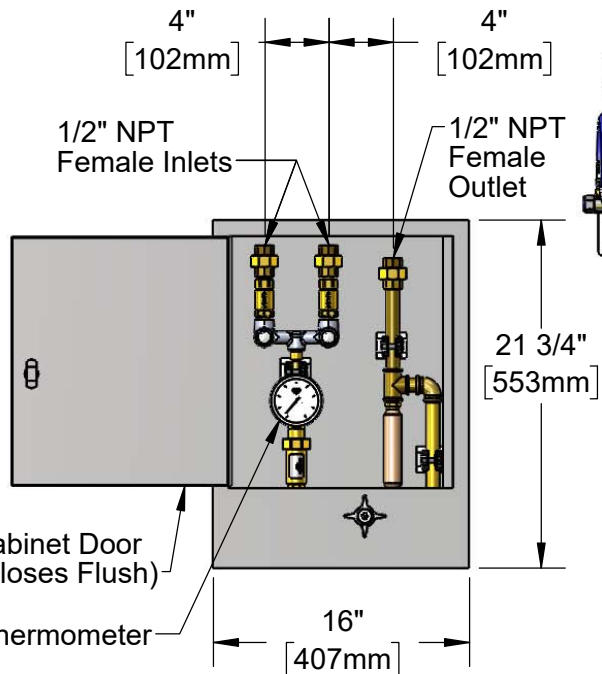
B-0963
1/2" NPT
Vacuum Breaker



HW-4B-24
3/8" NPT x 24" Flexible Water
Connector w/ Quick Disconnect



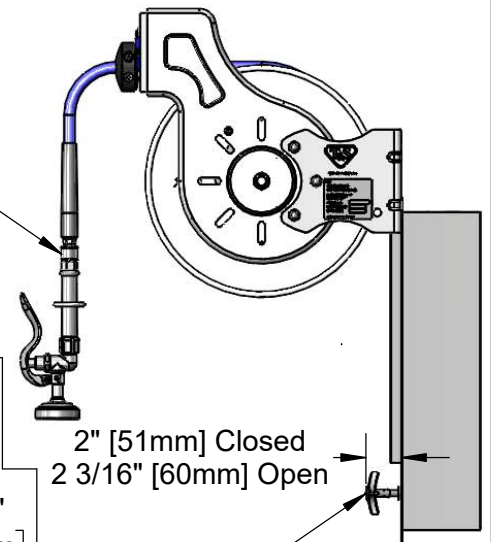
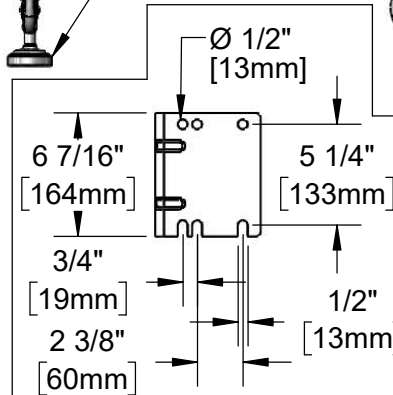
B-2339-LR
Control Cabinet
w/ Dual Check Valves



B-7132-01M
Hose Reel w/
Spray Valve

019652-40
3/8" NPT
Live Swivel

B-0107
1.15 GPM
Spray Valve



2" [51mm] Closed
2 3/16" [60mm] Open

Main Shutoff Valve
Body Behind Panel.
Operable From
Outside of Closed
Cabinet.

Cabinet Rough-In Requirement:
20 1/4" H x 14 1/4" W x 5" D

Product Specifications:

Open Hose Reel w/ 35' Hose, 1.15 GPM Spray Valve w/ Swivel, Rinse Control Cabinet w/ Control Valve, Dual Check Valves, Thermometer, Water Hammer Arrestor, 1/2" NPT Vacuum Breaker & 3/8" Flexible Water Connector w/ Quick Disconnect

Product Compliance:

ASSE 1024 (VB)
NSF 61 Exempt (Non-Potable)
2019 DOE PRSV - Class II
ASSE 1024 (VB)



T&S BRASS AND BRONZE WORKS, INC.

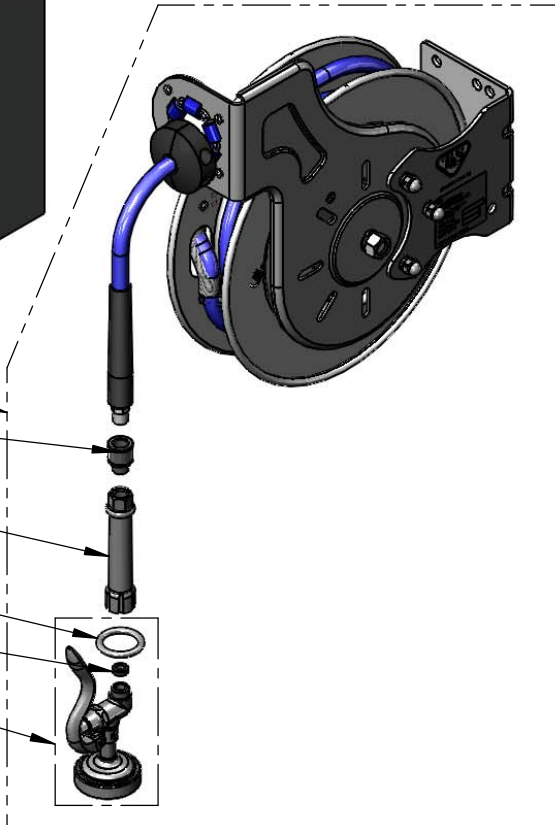
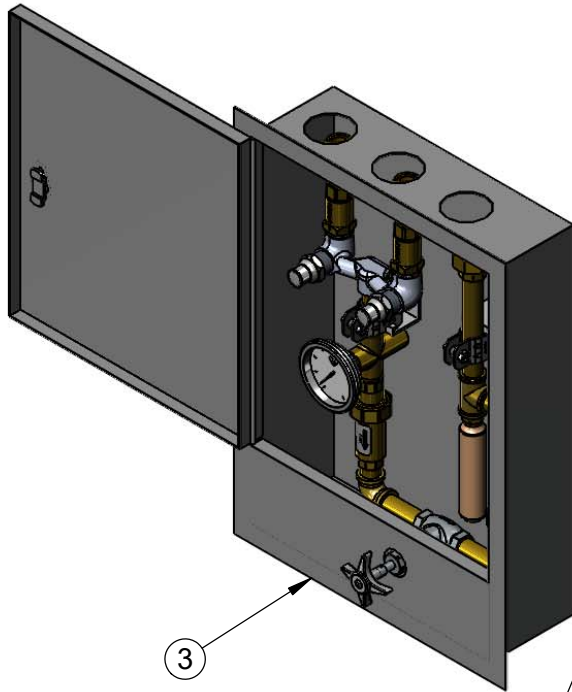
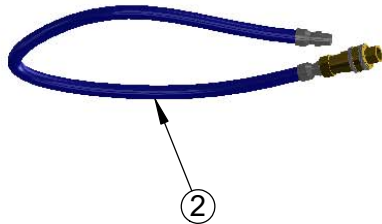
2 Saddleback Cove / P.O. Box 1088
Travelers Rest, SC 29690

Model No.

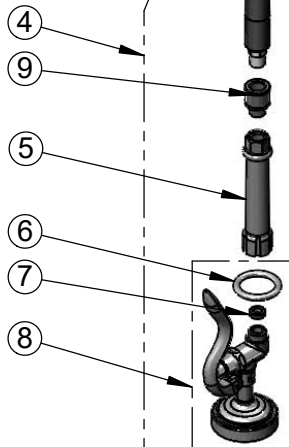
B-2339-7132MVBH

Item No.

Travelers Rest, SC: 800-476-4103 • Simi Valley, CA: 800-423-0150 • Fax: 864-834-3518 • www.tsbrass.com



| ITEM NO. | SALES NO. | DESCRIPTION |
|----------|------------|--|
| 1 | B-0963 | 1/2" NPT Continuous Pressure VB w/ Integral Check Valve |
| 2 | HW-4B-24 | 3/8" x 24" Flexible Water Connector w/ Quick Disconnect |
| 3 | B-2339-LR | Reel Control Cabinet w/ Control Valve, Dual Check Valves & Thermometer |
| 4 | B-7132-01M | Open Stainless Steel Reel w/ 35' of 3/8" Hose & Spray Valve |
| 5 | 002881-40 | Gray Grip Handle |
| 6 | 000907-45 | Spray Valve Hold Down Ring |
| 7 | 010476-45 | #27 Washer |
| 8 | B-0107 | 1.15 GPM Spray Valve |
| 9 | 019652-40 | 3/8" NPT Live Swivel |



Product Specifications:

Open Hose Reel w/ 35' Hose, 1.15 GPM Spray Valve w/ Swivel, Rinse Control Cabinet w/ Control Valve, Dual Check Valves, Thermometer, Water Hammer Arrestor, 1/2" NPT Vacuum Breaker & 3/8" Flexible Water Connector w/ Quick Disconnect

Product Compliance:

ASSE 1024 (VB)
NSF 61 Exempt (Non-Potable)
2019 DOE PRSV - Class II
ASSE 1024 (VB)