



T&S BRASS AND BRONZE WORKS, INC.
 2 Saddleback Cove / P.O. Box 1088
 Travelers Rest, SC 29690

Model No.
B-1436

Item No.

Travelers Rest, SC: 800-476-4103 • Simi Valley, CA: 800-423-0150 • Fax: 864-834-3518 • www.tsbrass.com

This Space for Architect/Engineer Approval

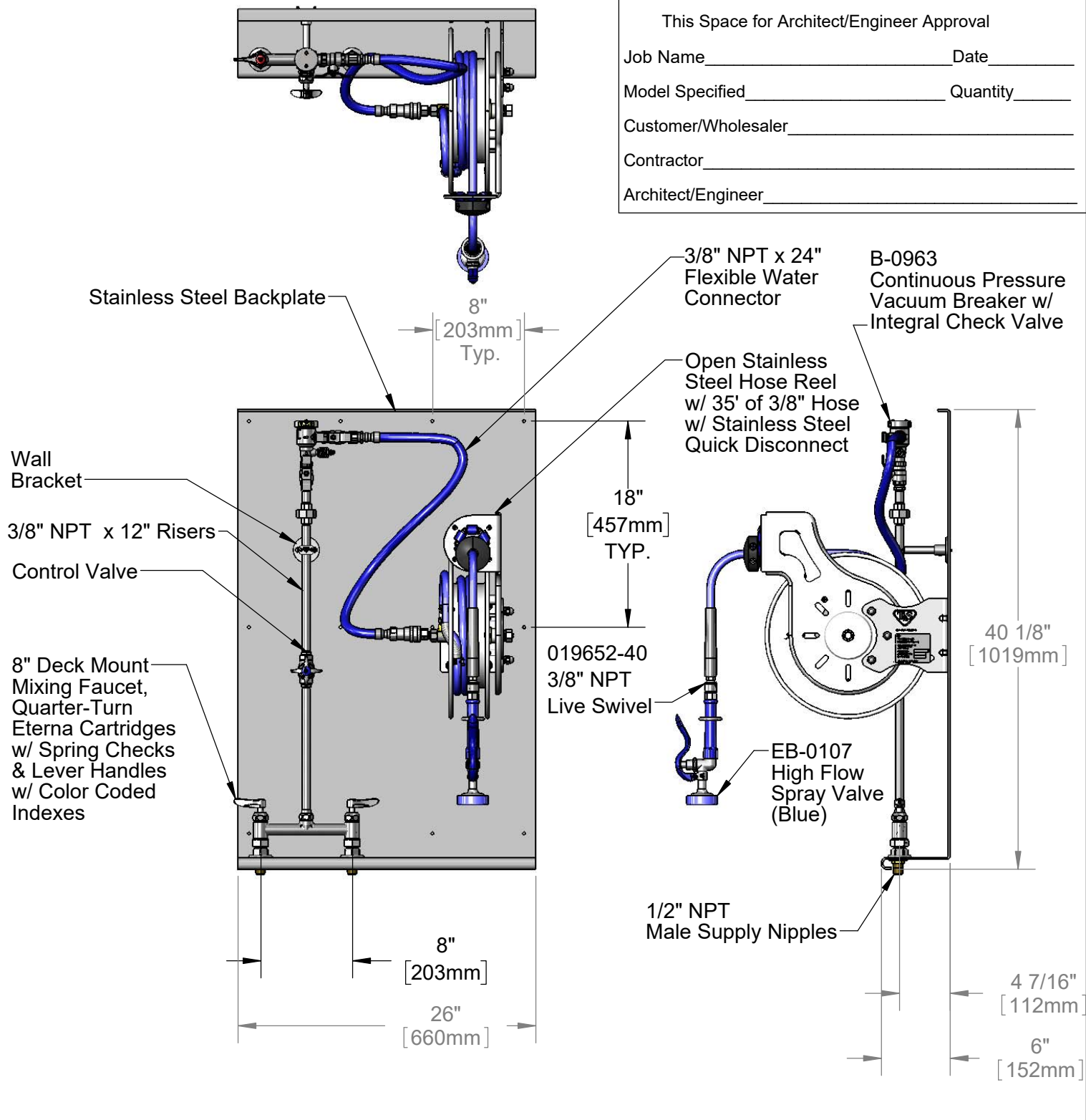
Job Name _____ Date _____

Model Specified _____ Quantity _____

Customer/Wholesaler _____

Contractor _____

Architect/Engineer _____



Product Specifications:
 Open Stainless Steel Hose Reel w/ 35' of 3/8" Hose on Stainless Steel Backplate, High Flow Spray Valve (Blue) w/ Swivel, Vacuum Breaker, 3/8" NPT Flexible Water Connector, 8" Deck Mount Mixing Faucet & Control Valve

Product Compliance:
 NSF 61 Exempt (Non-Potable)
 EPA Act 2005 Non-Compliant (PRSV)
 ASSE 1056 (VB)



T&S BRASS AND BRONZE WORKS, INC.
 2 Saddleback Cove / P.O. Box 1088
 Travelers Rest, SC 29690

Model No.
B-1436

Item No.

Travelers Rest, SC: 800-476-4103 • Simi Valley, CA: 800-423-0150 • Fax: 864-834-3518 • www.tsbrass.com

ITEM NO.	SALES NO.	DESCRIPTION
1	002829-40	8" Deck Mount Faucet
2	0RK3	Control Valve
3	145X	3/8" NPT x 12" Riser
4	002475-40	3/8" NPT Union
5	000357-40	3/8" NPT x 2" Nipple
6	B-0963	1/2" NPT Continuous Pressure VB w/ Integral Check Valve
7	HW-2B-24	3/8" NPT x 24" Flexible Water Hose
8	AW-5B	3/8" NPT Quick Disconnect
9	002535-25	3/8" NPT Close Nipple
10	B-7132-01	Open Stainless Steel w/ 35' of 3/8" Hose
11	000907-45	Spray Valve Hold Down Ring
12	010476-45	#27 Washer
13	EB-0107	High Flow Spray Valve (Blue)
14	001359-40	1/2" NPT Male x 3/8" NPT Female Hex Bushing
15	015073-40	Check Valve w/ 1/2" NPT Adapter
16	012504-40	Grip Handle (Blue), 3/8" NPT
17	B-0425-M	1/2" NPT Supply Nipple Kit, (2)
18	019652-40	3/8" NPT Live Swivel

Product Specifications:
 Open Stainless Steel Hose Reel w/ 35' of 3/8" Hose on Stainless Steel Backplate, High Flow Spray Valve (Blue) w/ Swivel, Vacuum Breaker, 3/8" NPT Flexible Water Connector, 8" Deck Mount Mixing Faucet & Control Valve

Product Compliance:
 NSF 61 Exempt (Non-Potable)
 EPA Act 2005 Non-Compliant (PRSV)
 ASSE 1056 (VB)