



T&S BRASS AND BRONZE WORKS, INC.
 2 Saddleback Cove / P.O. Box 1088
 Travelers Rest, SC 29690

Model No.
B-1026

Item No.

Travelers Rest, SC: 800-476-4103 • Simi Valley, CA: 800-423-0150 • Fax: 864-834-3518 • www.tsbrass.com

This Space for Architect/Engineer Approval

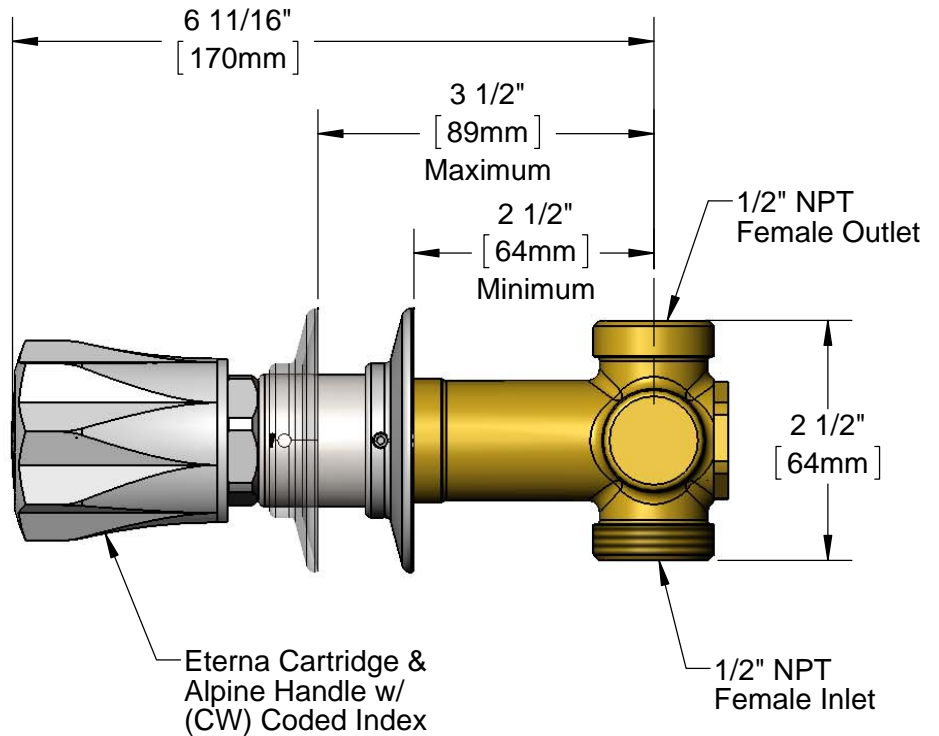
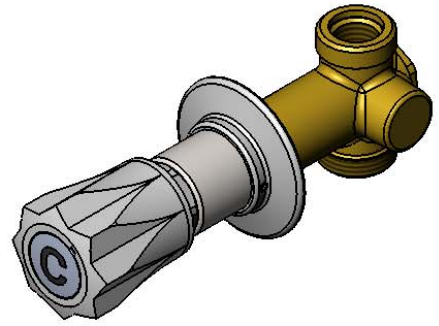
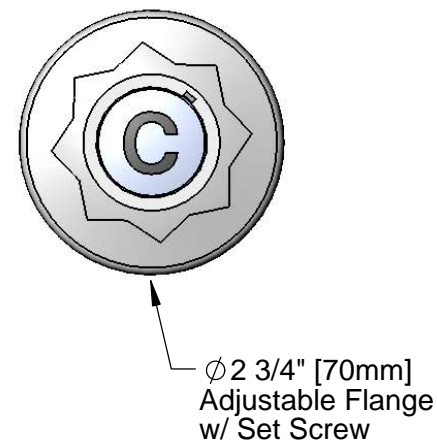
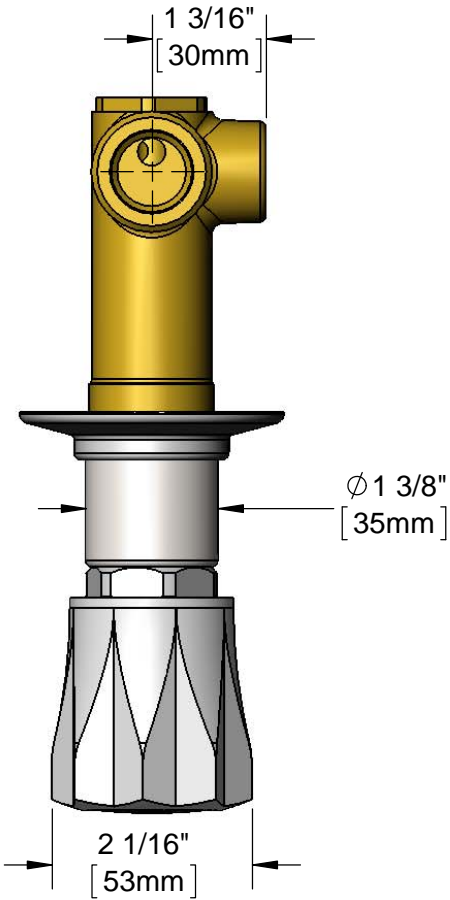
Job Name _____ Date _____

Model Specified _____ Quantity _____

Customer/Wholesaler _____

Contractor _____

Architect/Engineer _____



Rough-In Requirement:
 Ø 1 1/2" [38mm] Mounting Hole

Product Specifications:
 Concealed Bypass Single Valve, Eterna Cartridge, Alpine Handle w/ Coded Index & 1/2" NPT Female Inlet & Outlet

Product Compliance:
 ASME A112.18.1 / CSA B125.1
 NSF 61 - Section 9
 NSF 372 (Low Lead Content)



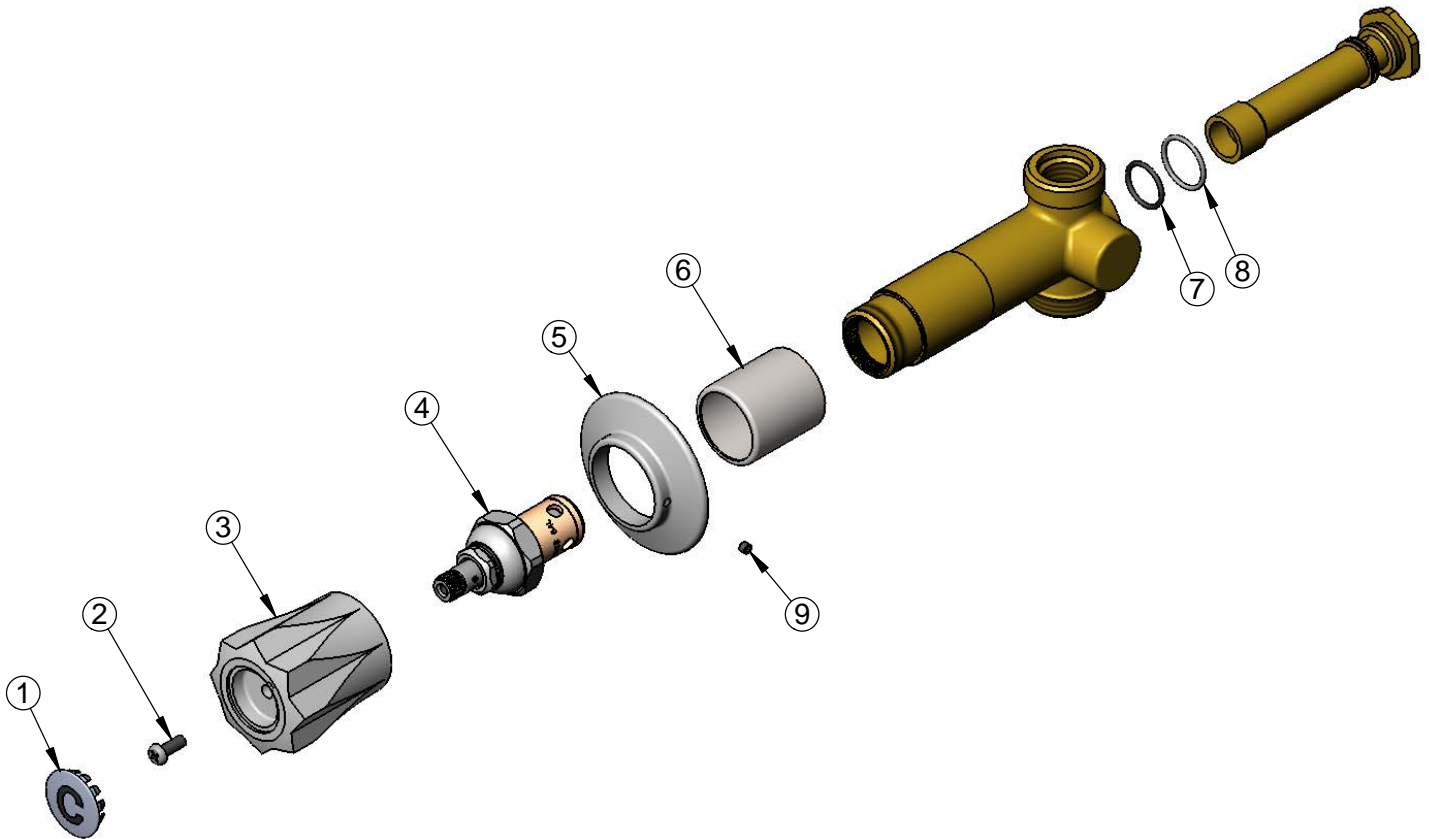
T&S BRASS AND BRONZE WORKS, INC.
 2 Saddleback Cove / P.O. Box 1088
 Travelers Rest, SC 29690

Model No.
B-1026

Item No.

Travelers Rest, SC: 800-476-4103 • Simi Valley, CA: 800-423-0150 • Fax: 864-834-3518 • www.tsbrass.com

ITEM NO.	SALES NO.	DESCRIPTION
1	001327-40	Cold Index Button
2	000925-45	Lab Handle Screw
3	076F-C	Alpine Handle w/ Cold Chrome Plated Index and Screw
4	005960-40	Eterna Cartridge, RTC
5	001501-40	Escutcheon
6	151F	Escutcheon Tube
7	001062-45	O-Ring
8	001702-45	O-Ring
9	000939-45	Escutcheon, Set Screw



Product Specifications:

Concealed Bypass Single Valve, Eterna Cartridge, Alpine Handle w/ Coded Index & 1/2" NPT Female Inlet & Outlet

Product Compliance:

ASME A112.18.1 / CSA B125.1
 NSF 61 - Section 9
 NSF 372 (Low Lead Content)