



# T&S BRASS AND BRONZE WORKS, INC.

2 Saddleback Cove / P.O. Box 1088  
Travelers Rest, SC 29690

Model No.

**B-0938**

Item No.

Travelers Rest, SC: 800-476-4103 • Simi Valley, CA: 800-423-0150 • Fax: 864-834-3518 • www.tsbrass.com

This Space for Architect/Engineer Approval

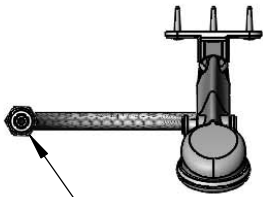
Job Name \_\_\_\_\_ Date \_\_\_\_\_

Model Specified \_\_\_\_\_ Quantity \_\_\_\_\_

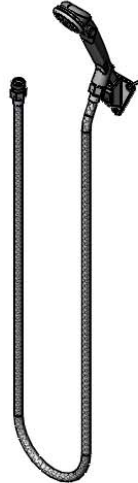
Customer/Wholesaler \_\_\_\_\_

Contractor \_\_\_\_\_

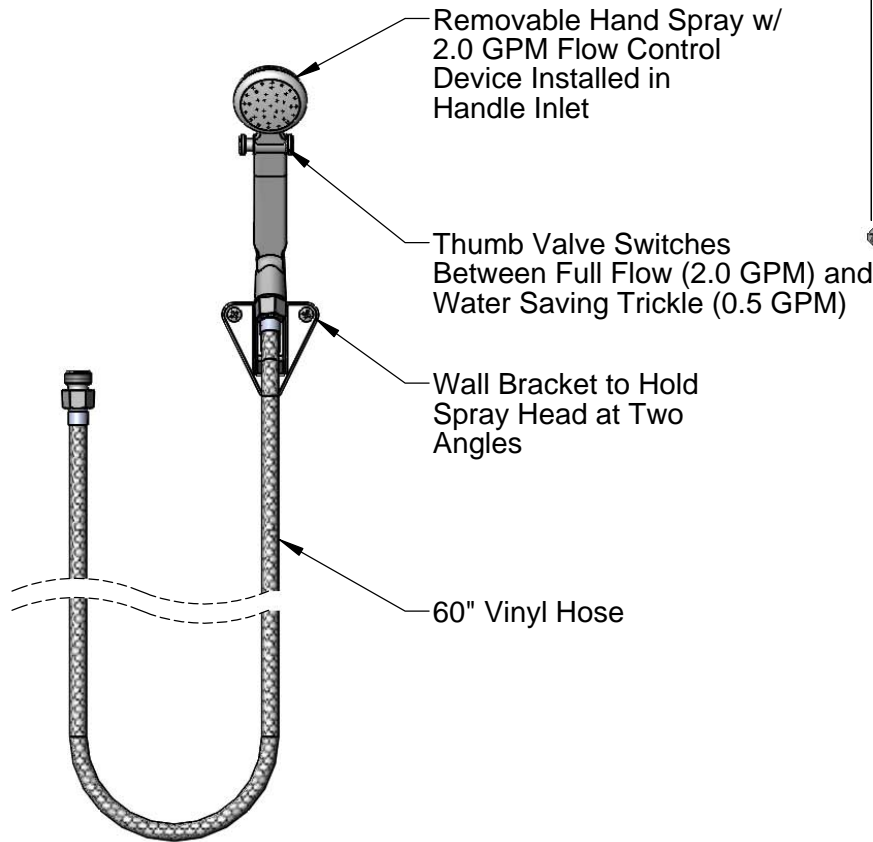
Architect/Engineer \_\_\_\_\_



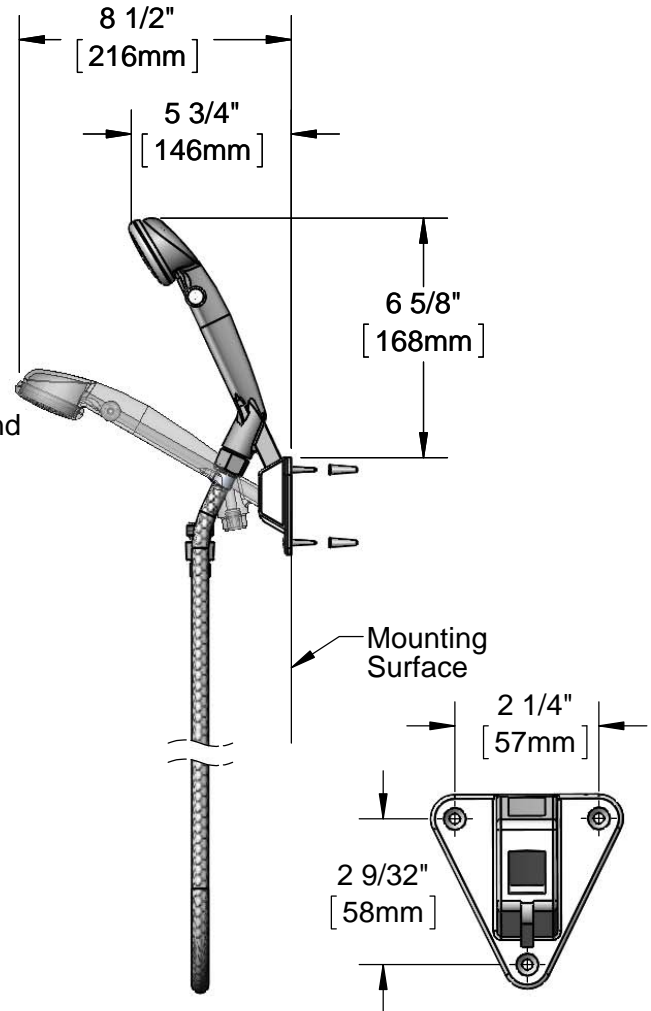
1/2" NPT  
Male Inlet



Note: Mount Spray Face 6"  
Below Backflow Preventer



**ADA Compliant**



**Product Specifications:**

Shower Queen Hand Spray w/ 2.0 GPM Flow Control,  
Wall Bracket, 60" Vinyl Hose & 1/2" NPT Male Inlet

**Product Compliance:**

ASME A112.18.1 / CSA B125.1  
NSF 61 Exempt (Non-Potable)  
ANSI A117.1 (ADA)



# T&S BRASS AND BRONZE WORKS, INC.

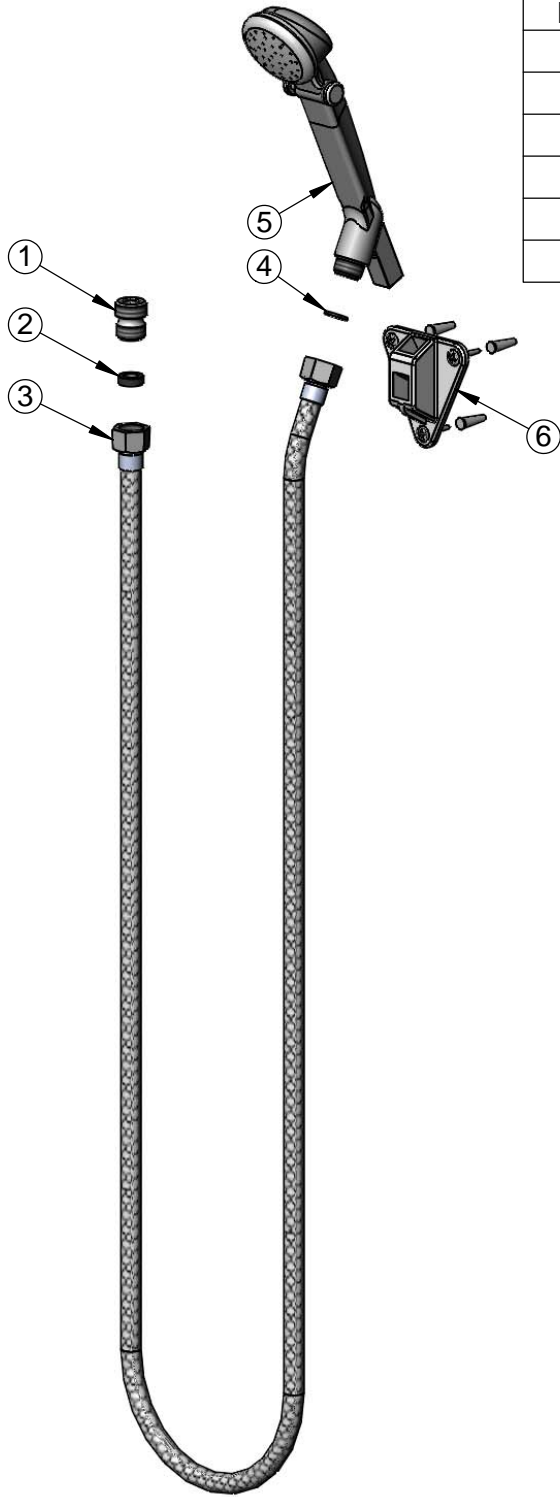
2 Saddleback Cove / P.O. Box 1088  
Travelers Rest, SC 29690

Model No.

**B-0938**

Item No.

Travelers Rest, SC: 800-476-4103 • Simi Valley, CA: 800-423-0150 • Fax: 864-834-3518 • www.tsbrass.com



ITEM NO.	SALES NO.	DESCRIPTION
1	055A	Adapter, 1/2 NPT Male
2	010476-45	#27 Washer
3	013E-60V	60" Vinyl Hose
4	009037-45	Face Seal
5	SQ-0095	Hand Spray, Shower Queen
6	SQ-0092	Wall Bracket

**Product Specifications:**

Shower Queen Hand Spray w/ 2.0 GPM Flow Control,  
Wall Bracket, 60" Vinyl Hose & 1/2" NPT Male Inlet

**Product Compliance:**

ASME A112.18.1 / CSA B125.1  
NSF 61 Exempt (Non-Potable)  
ANSI A117.1 (ADA)