



T&S BRASS AND BRONZE WORKS, INC.

2 Saddleback Cove / P.O. Box 1088
Travelers Rest, SC 29690

Model No.

B-0893

Item No.

Travelers Rest, SC: 800-476-4103 • Simi Valley, CA: 800-423-0150 • Fax: 864-834-3518 • www.tsbrass.com



ADA Compliant

This Space for Architect/Engineer Approval

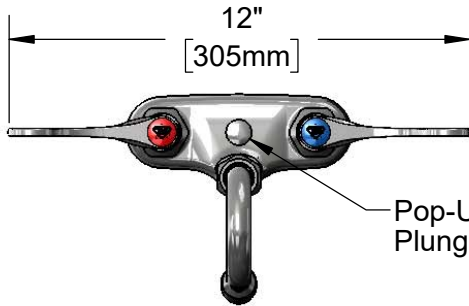
Job Name _____ Date _____

Model Specified _____ Quantity _____

Customer/Wholesaler _____

Contractor _____

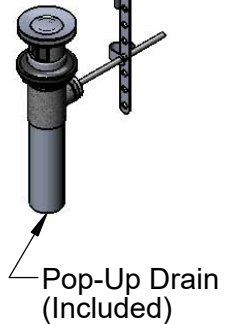
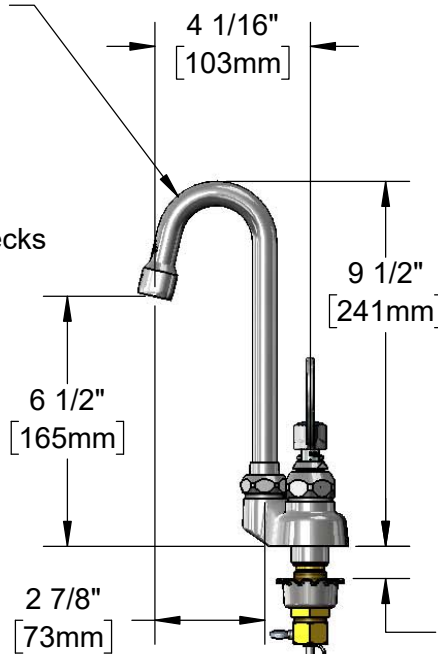
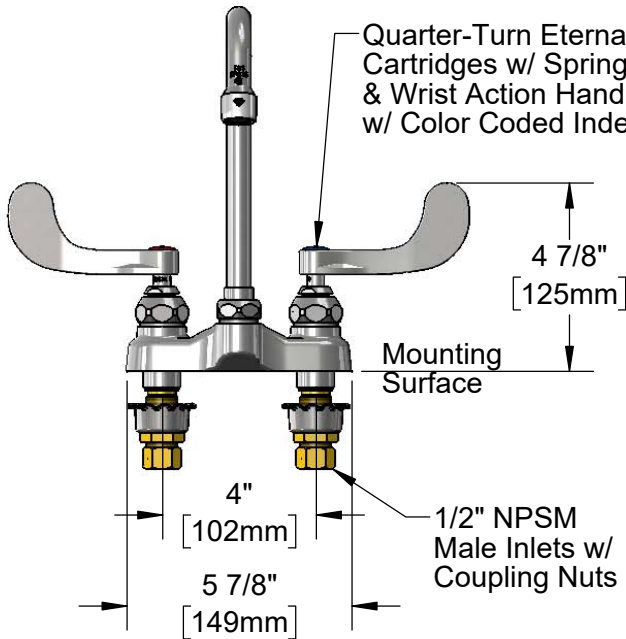
Architect/Engineer _____



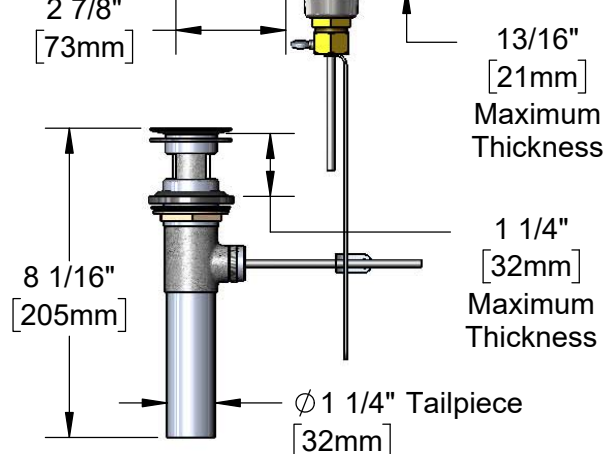
Pop-Up Drain Plunger

2 7/8" Swivel Gooseneck w/ B-0199-01
2.2 GPM Aerator.
Converts to Rigid w/
014200-45 Lock Washer
(Included)

Quarter-Turn Eterna
Cartridges w/ Spring Checks
& Wrist Action Handles
w/ Color Coded Indexes



Pop-Up Drain (Included)



Rough-in Requirement:

Faucet: (3) ϕ 1-1/8" [29mm] Mounting Holes

Pop-Up Drain: Fits Sinks w/ ϕ 1 7/16" to ϕ 1 3/4" [ϕ 37mm to ϕ 44mm] Drain Hole

Product Specifications:

4" Centerset Mixing Faucet, Quarter-Turn Eterna Cartridges w/ Spring Checks, 4" Wrist Action Handles, 2 7/8" Swivel Gooseneck, 2.2 GPM Aerator, Pop-Up Drain & 1/2" NPSM Male Inlets

Product Compliance:

ASME A112.18.1 / CSA B125.1
NSF 61 - Section 9
NSF 372 (Low Lead Content)
ANSI A117.1 (ADA)



T&S BRASS AND BRONZE WORKS, INC.

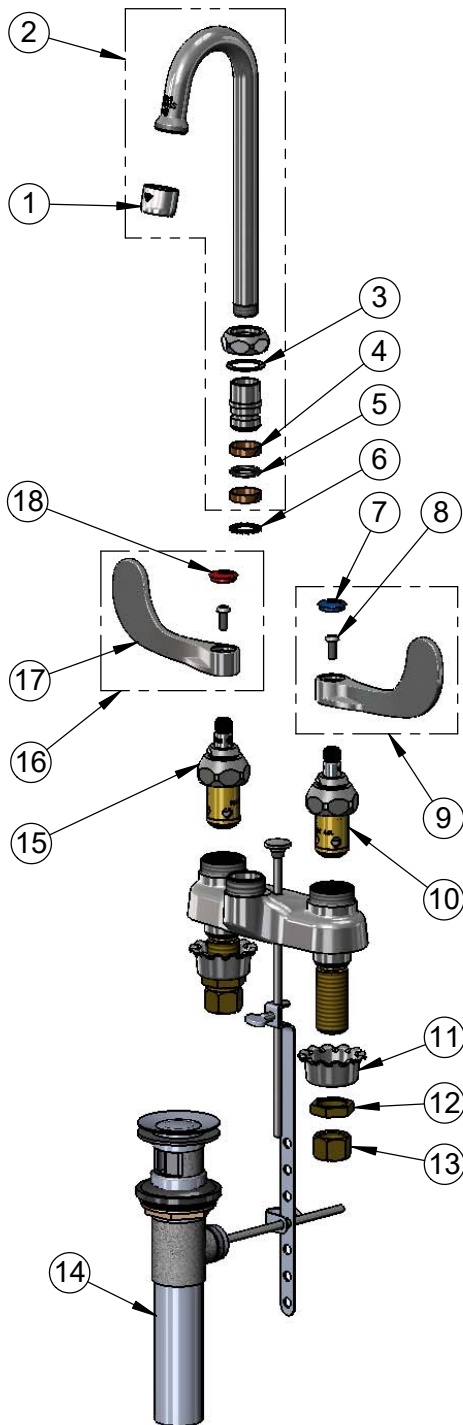
2 Saddleback Cove / P.O. Box 1088
Travelers Rest, SC 29690

Model No.

B-0893

Item No.

Travelers Rest, SC: 800-476-4103 • Simi Valley, CA: 800-423-0150 • Fax: 864-834-3518 • www.tsbrass.com



| ITEM NO. | SALES NO. | DESCRIPTION |
|----------|-------------|--|
| 1 | B-0199-01 | 2.2 GPM Aerator, 55/64-27 UN Female |
| 2 | 132X-A22 | 2 7/8" Swivel Gooseneck w/ 2.2 GPM Aerator |
| 3 | 009538-45 | Swivel Washer |
| 4 | 011429-45 | Swivel Sleeves (2) |
| 5 | 001074-45 | O-Ring |
| 6 | 014200-45 | Star Washer, Anti-Rotation |
| 7 | 018506-19NS | Blue Button Index, Press-in |
| 8 | 000925-45 | Lab Handle Screw |
| 9 | B-WH4C-NS | Wrist Action Handle, Blue Index & Screw |
| 10 | 012442-40NS | Quarter-Turn Eterna Cartridge w/ Spring Check, LTC |
| 11 | 001000-45 | Rosette Washer |
| 12 | 002954-45 | Shank Lock Nut |
| 13 | 000958-20 | Coupling Nut |
| 14 | B-0898 | Pop-Up Drain |
| 15 | 012443-40NS | Quarter-Turn Eterna Cartridge w/ Spring Check, RTC |
| 16 | B-WH4H-NS | Wrist Action Handle, Red Index & Screw |
| 17 | B-WH4-NS | Wrist Action Handle (New Style) |
| 18 | 001193-19NS | Red Button Index, Press-in |

Product Specifications:

4" Centerset Mixing Faucet, Quarter-Turn Eterna Cartridges w/ Spring Checks, 4" Wrist Action Handles, 2 7/8" Swivel Gooseneck, 2.2 GPM Aerator, Pop-Up Drain & 1/2" NPSM Male Inlets

Product Compliance:

ASME A112.18.1 / CSA B125.1
NSF 61 - Section 9
NSF 372 (Low Lead Content)
ANSI A117.1 (ADA)